

CD60V LOW LEAKAGE VERTICAL BLADE CONTROL DAMPER

High Performance Galvanized Steel Airfoil

Ruskin's CD60-V is a low leak, galvanized damper designed to be installed with the airfoil blades running vertically. The airfoil blades make the CD60-V ideal for higher velocity and pressure HVAC systems.

STANDARD CONSTRUCTION

FRAME

5" x 1" x 16 gage (127 x 25 x 1.6) galvanized steel roll formed hat channel structurally equivalent to 11 gage (3.0) channel frames.

LOW PROFILE FRAME

3 1/2" x 3/8" x 16 gage (89 x 10 x 1.6) galvanized steel channel top and bottom frame on dampers under 12 1/2" (305) high.

BLADES

Galvanized steel airfoil shaped, double skin construction of 14 gage (2.0) equivalent thickness, 6" (152) wide. Parallel or opposed action.

SEALS

Ruskiprene blade edge seals and flexible metal compressible jamb seals.

BEARINGS

Stainless steel sleeve with thrust washers.

LINKAGE

Concealed in frame.

AXLES

1/2" (13) plated steel hex.

CONTROL SHAFT

6" (152) x 1/2" (13) diameter. Outboard shaft support bracket supplied with all single section dampers for field mounted actuators. Factory-installed jackshaft supplied with all multiple section dampers.

MAXIMUM SIZE

Single section – 48"w x 36"h (1219 x 914).
Multiple section assembly – Unlimited size.

MINIMUM SIZE

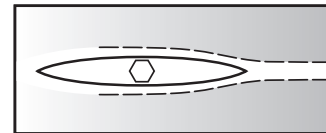
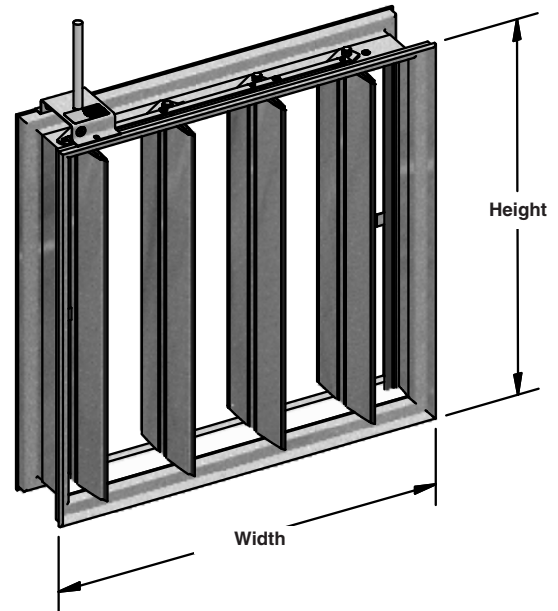
Single blade – 6"w x 8"h (152 x 203).
Two blades, parallel or opposed action: 11"w x 8"h (279 x 203).

TEMPERATURE LIMITS

-72°F (-58°C) minimum and +275°F (+135°C).

NOTES

1. Dimensions shown in parentheses () indicate millimeters.
2. Units are furnished approximately 1/4" (6) smaller than given opening dimensions.



Airfoil Blade Advantage

FEATURES

- Airfoil blade design for low pressure drop and less noise generation
- One piece interlocking frame design to reduce racking
- Positive lock axles, non-corrosive bearings and shake proof linkage for low maintenance operation
- Blade edge seals mechanically lock into the blade for superior sealing

RUSKIN[®]

3900 Dr. Greaves Rd.
Kansas City, MO 64030
(816) 761-7476
FAX (816) 765-8955
www.ruskin.com

Printed on recycled paper
using vegetable based inks

