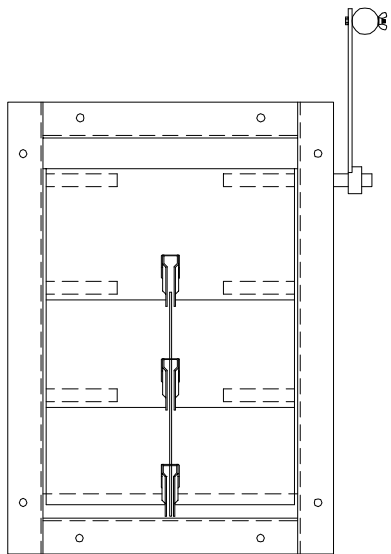
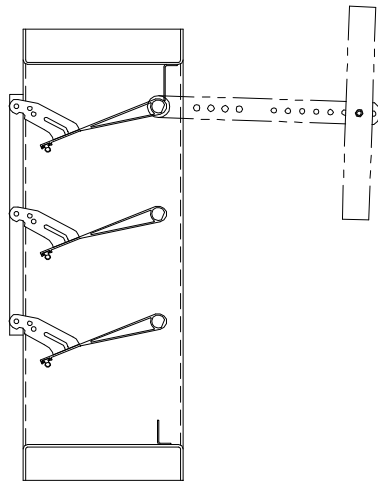


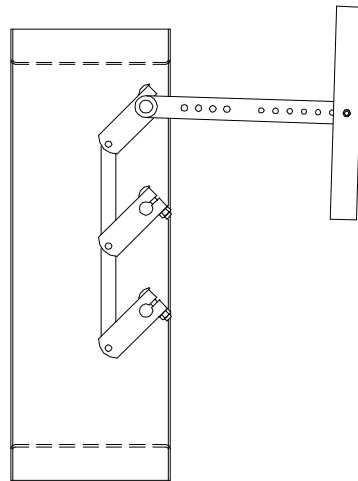
AIRFOIL INDUSTRIAL
COUNTER BALANCED
BACKDRAFT DAMPER CBS92



FACE VIEW

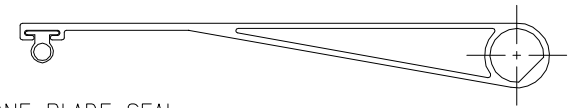


FACE LINKAGE

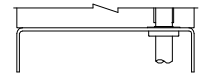


SIDE LINKAGE
(OPTIONAL)

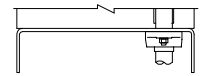
SILICONE BLADE SEAL
(STANDARD, 300°F MAX)



BLADE PROFILE



STANDARD BEARING



RE-LUBE BALL BRG
BOLTED TO FRAME OPT