



**LAS-12AF STATIONARY
ACOUSTICAL LOUVER
FORMED STEEL**

3900 Dr. Greaves Rd., Kansas City, MO 64030 • Phone (816) 761-7476 • FAX (816) 763-0986 • Email: info@ruskinsound.com • Website: ruskinsound.com

STANDARD CONSTRUCTION

FRAME

12" (305) deep, 16 gage (1.6) galvanized steel channel.

BLADES

18 gage (1.3) airfoil shaped galvanized steel exterior surface, with 22 gage (.9) perforated steel interior surface that covers insulation. Blades positioned at 45° angle and spaced approximately 12" (305) center to center.

ACOUSTICAL INSULATION

Mineral glass fiber, 4 pcf.
Mineral Glass Fiber fire ratings when tested in accordance with ASTM E84, NFPA 255 or UL-723 test methods:
Flame Spread.....15
Fuel Contributed..... 0
Smoke Developed..... 0

SCREEN

1/2" mesh x 19 gage (13 x 1.1) galvanized bird screen in removable frame. Screen adds approximately 1/2" (13) to louver depth.

FINISH

Mill.

MINIMUM SIZE

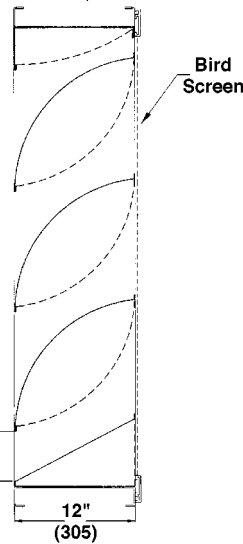
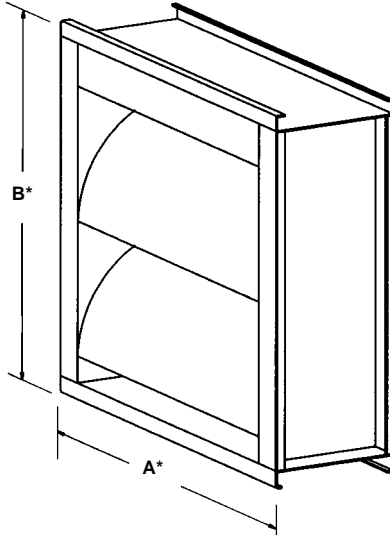
12"w x 24"h (305 x 610).

APPROXIMATE SHIPPING WEIGHT

10 lbs. per sq. ft.

MAXIMUM FACTORY ASSEMBLY SIZE

Shall be 32 sq. ft. (3m²). Maximum single section size shall be 48" x 96" (1219 x 2438). Louvers larger than the maximum single section size will require field assembly of smaller sections.



FEATURES

The LAS-12AF offers insulated airfoil blades which provide effective sound attenuation and weather protection with an architecturally pleasing appearance.

VARIATIONS

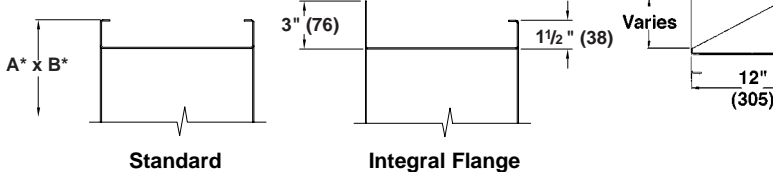
Variations to the basic design of this louver are available at additional cost. They include:

- Extended sill.
- Front or rear security bars.
- Filter racks.
- A variety of bird and insect screens.
- Selection of finishes: baked enamel (modified fluoropolymer), epoxy, Kynar, Pearl-dize, prime coat, integral color and clear anodize. (Some variation in anodize color consistency is possible.) (Anodize finish available only on aluminum construction.)
- Formed aluminum frame with .100" (2.5) nominal wall thickness and .080" (2) blade with .040" (1) perforated aluminum interior surface.

Octave Band Frequency (Hz)	Free Field Noise Reduction (db) Ruskatherm Blanket
2/125	13
3/250	13
4/500	14
5/1000	20
6/2000	20
7/4000	20
8/8000	23

To calculate Transmission Loss (db), subtract 6 db from Free Field Noise Reduction (db).

FRAME CONSTRUCTION



Dimensions in parenthesis () indicate millimeters.

Units furnished 1/4" (6) smaller than given opening dimen-

TAG	QTY.	SIZE		FRAME	VARIATIONS
		A"-WIDE	B"-HIGH		
PROJECT ARCH./ENGR. REPRESENTATIVE			LOCATION CONTRACTOR DATE		

SUGGESTED SPECIFICATION

Furnish and install louvers as hereinafter specified where shown on plans or as described in schedules. Louvers shall be stationary airfoil acoustical type contained within a 12" (305) frame. Louver components (heads, jambs, sills, blades, and mullions) shall be factory assembled by the louver manufacturer. Louver sizes too large for shipping shall be built up by the contractor from factory assembled louver sections to provide overall sizes required. Louver design shall incorporate structural supports required to withstand a windload of 20 lbs. per sq. ft. (.96kPa) (equivalent of a 90 mph wind [145 KPH] wind - specifier may substitute any loading required).

Louvers tested for air and water performance to AMCA 500 test standard.

Louvers shall be Ruskin Sound Control Model LAS-12AF construction as follows:

- Frame: 16 gage (1.6) galvanized steel channel.
- Blades: 20 gage (1.0) airfoil shaped galvanized steel exterior surface, 22 gage (.9) perforated steel interior surface that covers insulation. Blade angle 45° on 12" (305) centers.
- Screen: 1/2" mesh x 19 gage (13 x 1.1) galvanized steel in removable frame.
- Finish: Select finish specification from Ruskin Finishes Brochure.

Published louver performance data bearing the AMCA Certified Ratings Seal for Air Performance must be submitted for approval prior to fabrication and must demonstrate pressure drop equal to or less than the Ruskin Sound Control model specified.

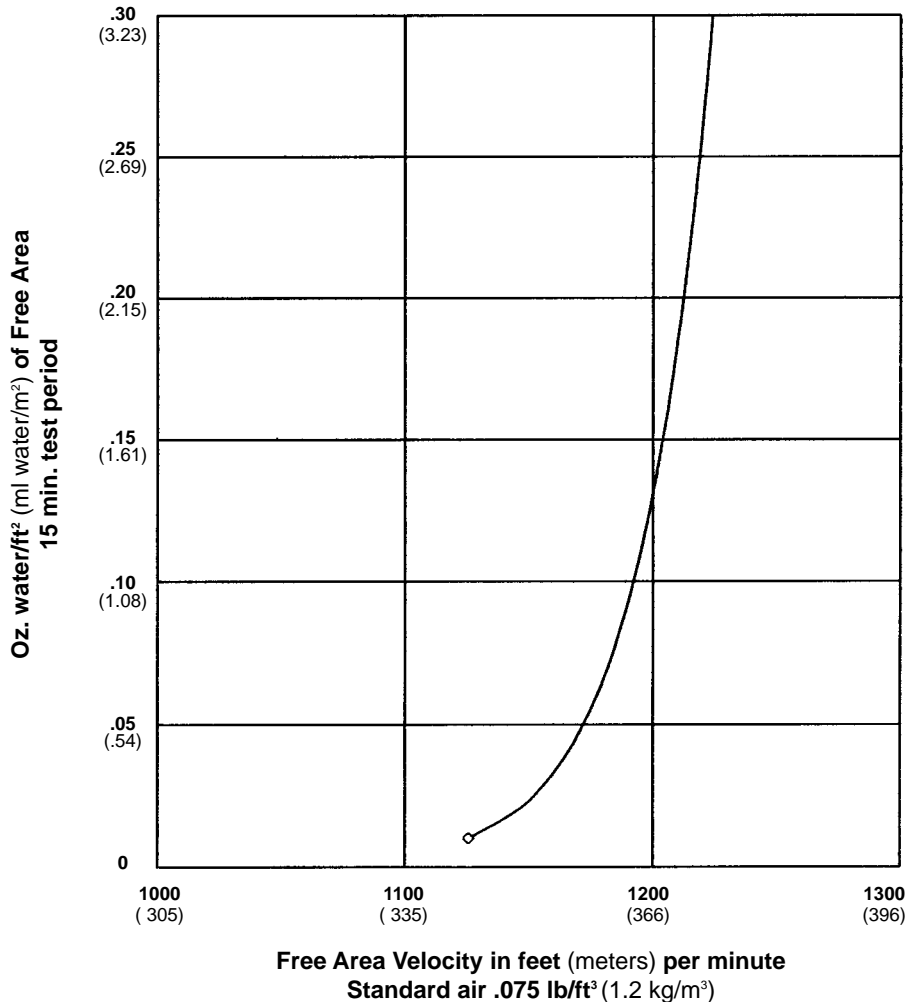
PERFORMANCE DATA

AMCA Standard 500 provides a reasonable basis for testing and rating louvers. Testing to AMCA 500 is performed under a certain set of laboratory conditions. This does not guarantee that other conditions will not occur in the actual environment where louvers must operate.

The louver system should be designed with a reasonable safety factor for louver performance. To ensure protection from water carry-over, design with a performance level somewhat below maximum desired pressure drop and .01 oz./sq. ft. of water penetration.

WATER PENETRATION

Test size 48" wide x 48" high (1219 x 1219)
Beginning point of water penetration at .01 oz./sq. ft. is 1126 fpm (343 m/min).



FREE AREA GUIDE

Free Area Guide shows free area in ft² and m² for various sizes of LAS-12AF.

Height – Inches and Meters

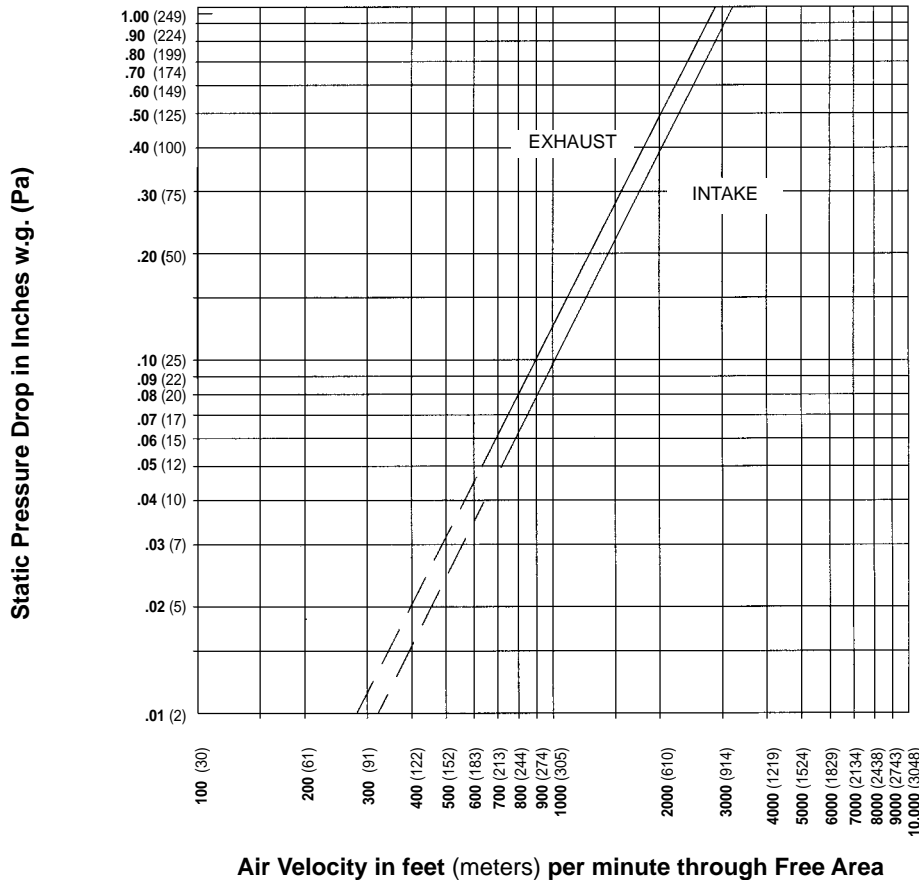
	12	18	24	30	36	42	48	54	60	66	72	78	84	90	96
	0.30	0.46	0.61	0.76	0.91	1.07	1.22	1.37	1.52	1.68	1.83	1.98	2.13	2.29	2.44
18	0.59	0.99	1.38	1.78	2.17	2.57	2.96	3.36	3.75	4.15	4.54	4.94	5.33	5.73	6.12
24	0.40	0.66	0.93	1.19	1.46	1.72	1.99	2.25	2.52	2.78	3.05	3.31	3.58	3.84	4.11
30	0.72	1.20	1.68	2.16	2.65	3.13	3.61	4.09	4.57	5.05	5.53	6.01	6.49	6.97	7.46
36	0.57	0.95	1.33	1.71	2.09	2.47	2.85	3.23	3.61	3.99	4.38	4.76	5.14	5.52	5.90
42	0.89	1.49	2.08	2.68	3.27	3.86	4.46	5.05	5.65	6.24	6.84	7.43	8.03	8.62	9.22
48	0.74	1.23	1.73	2.22	2.71	3.20	3.70	4.19	4.68	5.18	5.67	6.16	6.65	7.15	7.64
54	1.06	1.77	2.48	3.19	3.90	4.61	5.32	6.03	6.74	7.45	8.16	8.87	9.58	10.29	11.00
60	0.91	1.52	2.13	2.74	3.35	3.95	4.56	5.17	5.78	6.39	7.00	7.60	8.21	8.82	9.43
66	1.23	2.06	2.88	3.70	4.52	5.35	6.17	6.99	7.81	8.64	9.46	10.28	11.10	11.93	12.75
72	1.08	1.80	2.52	3.24	3.96	4.68	5.41	6.13	6.85	7.57	8.29	9.01	9.73	10.45	11.17
78	1.41	2.34	3.28	4.22	5.15	6.09	7.03	7.96	8.90	9.84	10.77	11.71	12.65	13.58	14.52
84	1.25	2.09	2.93	3.76	4.60	5.44	6.27	7.11	7.94	8.78	9.62	10.45	11.29	12.13	12.96
90	1.58	2.63	3.68	4.73	5.78	6.84	7.89	8.94	9.99	11.04	12.10	13.15	14.20	15.25	16.30
96	1.42	2.37	3.32	4.27	5.22	6.17	7.12	8.06	9.01	9.96	10.91	11.86	12.81	13.76	14.71

Width – Inches and Meters



Ruskin Sound Control certifies that the louver shown herein is licensed to bear the AMCA Seal. The ratings shown are based on tests and procedures performed in accordance with AMCA Standard 511 and comply with the requirements of the AMCA Certified Ratings Program. AMCA Certified Ratings Seal applies to air performance ratings and water penetration ratings only.

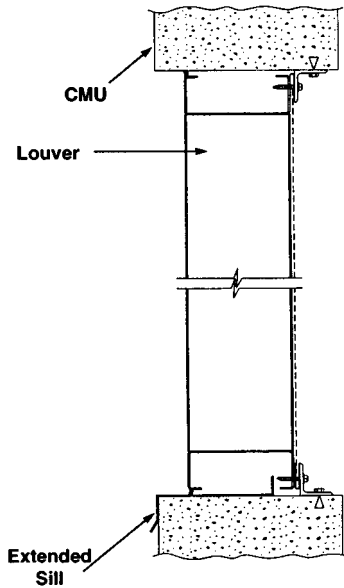
PRESSURE DROP



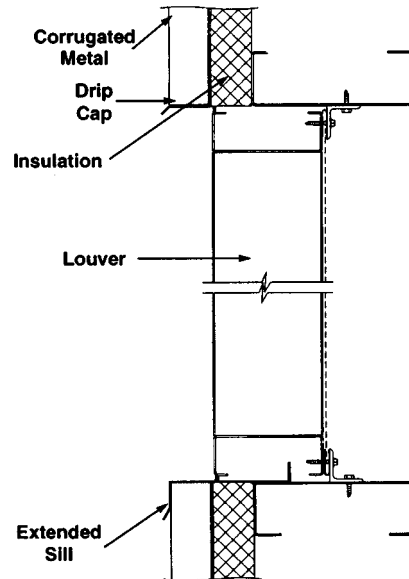
Ratings do not include the effect of a bird screen.

TYPICAL INSTALLATION DETAILS

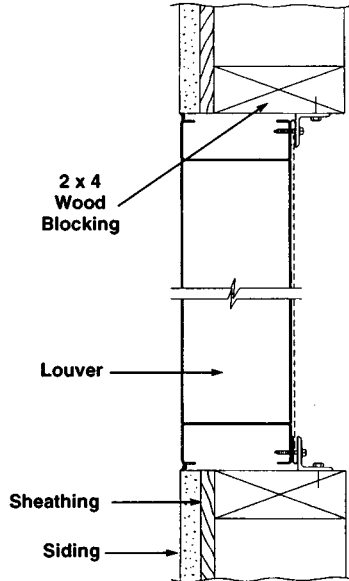
Masonry Wall



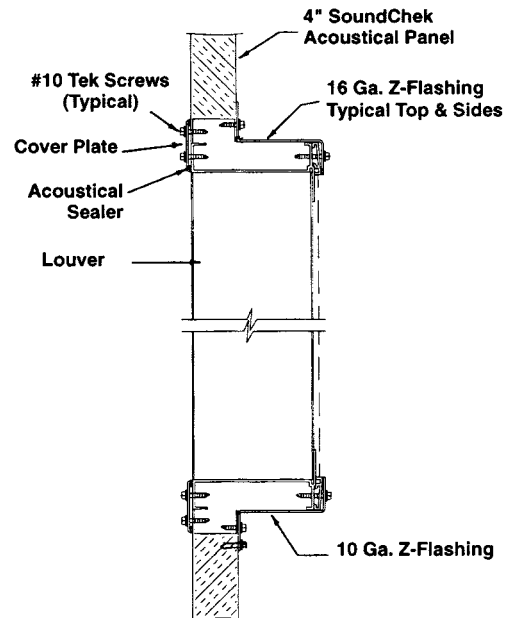
Metal Panel Wall



Wood Installation



SoundChek Panel Wall



Variations (such as extended sills, installation hardware, etc.) available at additional cost.

**Sound Solutions
for a Noisy World!**

3900 Dr. Greaves Rd.
Kansas City, MO 64030
(816) 761-7476
FAX (816) 763-0986
<http://www.ruskinsound.com>

