



**TUBULAR
DISSIPATIVE SILENCER
MODEL AXA/AXB/AXC
Submittal Sheet**

3900 Dr. Greaves Rd., Kansas City, MO 64030 • Phone (816) 761-7476 • FAX (816) 763-0986 • Email: info@ruskinsound.com • Website: ruskinsound.com

MODEL DESIGNATION:		
MODEL:	Inner Diameter	Length
AXA/AXB/AXC	(Inches)	(Inches)

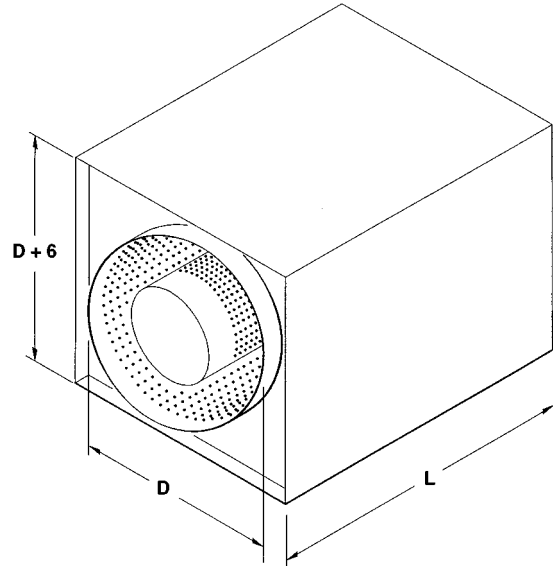
Example: AXA 24" 48"

CONSTRUCTION STANDARDS

22 gage galvanized outer casing. Internal baffles constructed of 22 gage galvanized perforated steel and filled with inorganic glass fiber acoustic material. Glass fiber packed under 5% compression to eliminate voids due to settling. Silencers capable of withstanding a differential air pressure of 8" w.g. Inner diameter "D" is extended past outer casing 2" on each end. Static pressure drop values have been measured in accordance with ASTM E-477 testing standards.

Incombustible filler material exhibits the following fire hazard classification value when tested in accordance with standard ASTM E84, NFPA 255, or UL-723 test methods:

FLAMESPREAD20
FUEL CONTRIBUTED15
SMOKE DEVELOPED20



STANDARD LENGTHS: 2 X DIAMETER (36" MIN.)

DYNAMIC INSERTION LOSS dB

Model	Rated Velocity FPM	Forward/Reverse	OCTAVE BAND/CENTER FREQUENCY (HZ)											
			1	2	3	4	5	6	7	8				
			63	125	250	500	1000	2000	4000	8000				

SCHEDULE

Mark	Qty.	Model	Diameter	Length	CFM	SP	FPM	Variations

VARIATIONS: ① 1 1/2" flange one end ② 1 1/2" flange both ends ③ flange bolt holes ④ fiberglass cloth lining ⑤ mylar lining ⑥ tedlar lining
 ⑦ mylar bag ⑧ 20 ga shell ⑨ 18 ga shell ⑩ shrink wrap for ship.