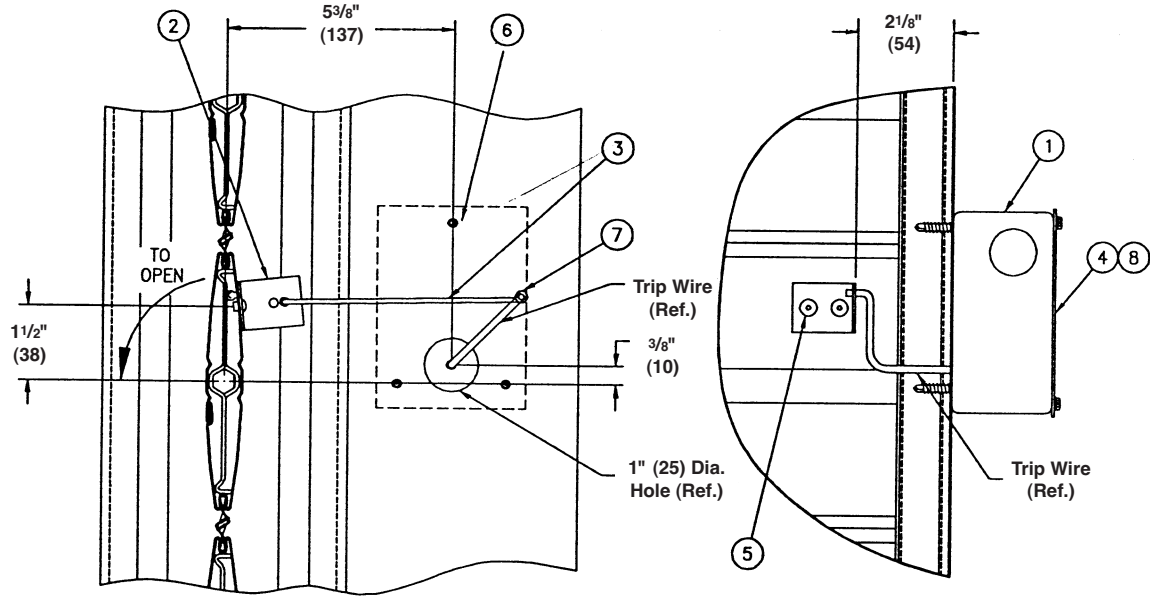
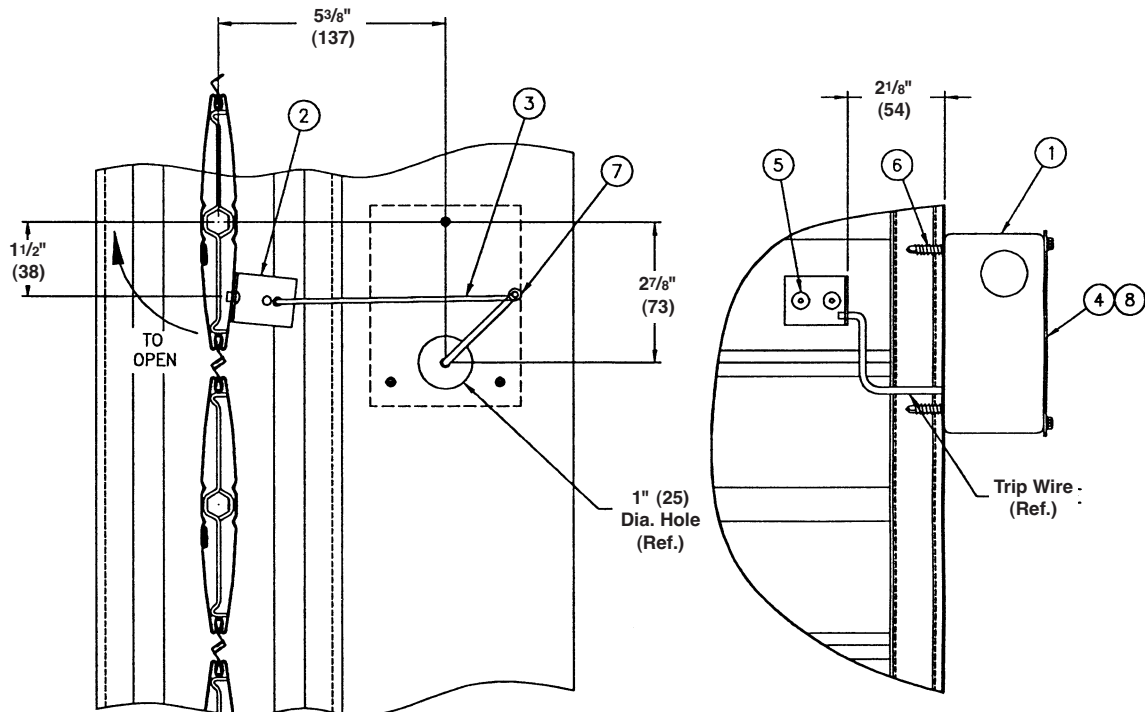


## SP100 SWITCH PACKAGE FIELD INSTALLATION INSTRUCTIONS SUPPLEMENT



Fire/Smoke Damper Right Hand Mount Shown \_ Left Hand Mount Similar



Smoke Damper Right Hand Mount Shown \_ Left Hand Mount Similar



SEE COMPLETE MARKING  
ON PRODUCT

# SP100 FIELD INSTALLATION INSTRUCTIONS

## INSTALLATION

1. Obtain authorization from the local fire protection authority prior to installation of the SP100.
2. Verify all parts are included in parts kit (see item list).
3. SP100 must be linked to a power blade (power blades are all blades on parallel blade dampers and every other blade, starting with the bottom blade, on opposed blade dampers, see detail at right).
4. **Refer to installation details on page 1. For fire/smoke dampers** locate the blade bracket (#2) approximately 1 1/2" (38) above the center line of the blade and 2 1/8" (54) from the outside of the frame on a power blade. Mark and drill #30 (.128 dia.) hole and rivet the blade bracket to the blade with 2, 1/8" (3) pop rivets (#5). **For smoke dampers** install the blade bracket same as the fire/smoke damper except locate it 1 1/2" (38) below the center line of the blade.
5. **For fire/smoke dampers** locate the 1" (25) dia. hole for the SP100 3/8" (10) above and 5 3/8" (136) from the center line of the power blade. Slip the SP100 assembly trip wire into 1" (25) dia. hole and center trip wire in hole.

**For smoke dampers** install the SP100 same as the fire/smoke dampers except locate the 1" (25) dia. hole 2 7/8" (73) below the center line of the power blade.

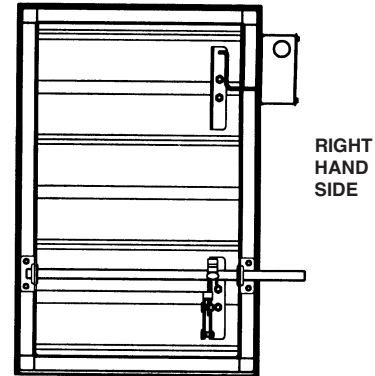
If the 1" (25) dia. hole cannot be located as indicated, locate it as close as possible to the dimensions shown.

6. Attach the SP100 to the damper sleeve with (3) #10 screws and secure into place so SP100 does not rotate (screw heads will be on inside of box).
7. Insert the "Z" end of the link rod (#3) into the blade bracket (#2). Slip the other end over the trip lever on the SP100 (#1) and secure in place with 3/32" (2) push nut (#7).
8. Cycle the damper to verify switch actuation. Link rod may be formed as required to activate the switches (do not over stroke the switches).

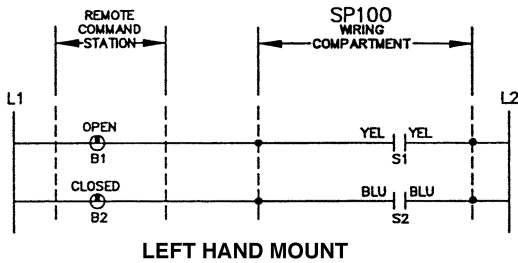
Dimensions in parenthesis ( ) indicate millimeters.

## PARTS LIST (refer to page 1)

ITEM	DESCRIPTION	QTY.
1	SP100	1
2	Blade Bracket	1
3	Link Rod	1
4	Cover Plate	1
5	Pop Rivet, 1/8" x 1/4"	2
6	Screw, #10 x 1/2"	3
7	Push Nut, 3/32"	1
8	Label	1



## SP100 WIRING

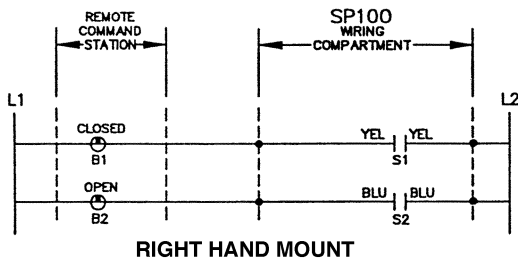


S<sub>1</sub> – Damper position indicator switch. Closed when damper is closed.

S<sub>2</sub> – Damper position indicator switch. Closed when damper is open.

B<sub>1</sub> – Remote position indicator lamp.

B<sub>2</sub> – Remote position indicator lamp.



S<sub>1</sub> – Damper position indicator switch. Closed when damper is open.

S<sub>2</sub> – Damper position indicator switch. Closed when damper is closed.

B<sub>1</sub> – Remote position indicator lamp.

B<sub>2</sub> – Remote position indicator lamp.

# RUSKIN®

3900 Dr. Greaves Rd.  
Kansas City, MO 64030  
(816) 761-7476  
FAX (816) 765-8955  
www.ruskin.com