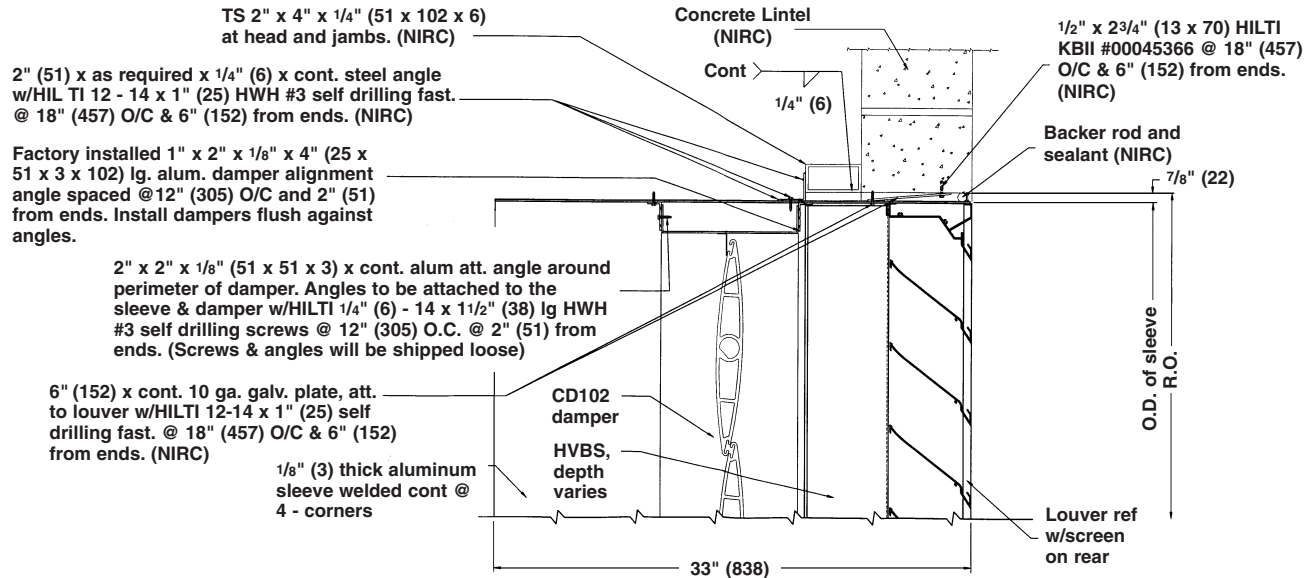


## INSTALLATION DETAILS

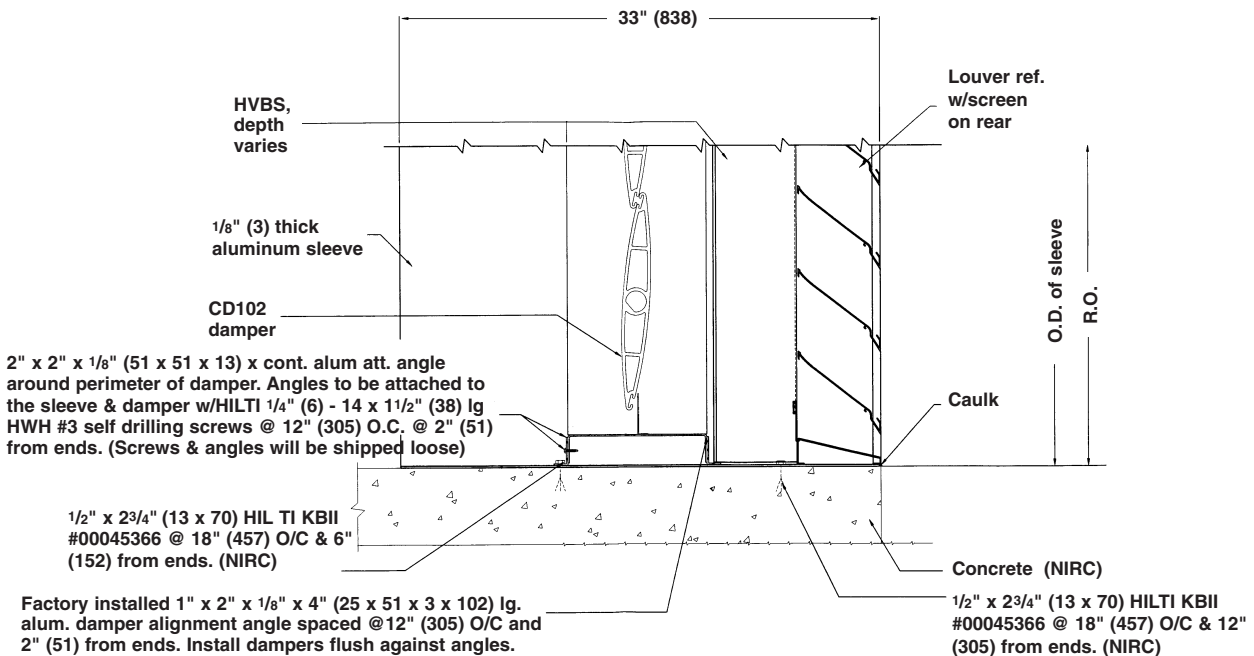
### ELF6375DXD/CD102 COMBINATION UNIT

MIAMI-DADE COUNTY, FLORIDA NOTICE OF ACCEPTANCE #06-0602.04 (Expires 7/9/11)

#### ELF6375DXD/CD102 HEAD & JAMB DETAIL



#### ELF6375DXD/CD102 SILL DETAIL



#### NOTES:

1. Dampers are shipped separately and require field installation into sleeves.
2. All steel angles, tube steel and anchors are by others.
3. All tube steel shall be continuously welded in the field with 1/4" (6) fillet all around where they meet (welding by others). 2" x 2" x 1/4"

- (51 x 51 x 6) long steel angles shall be welded to the top and bottom of the jamb tube steel and anchored to the structure with HILTI KBII #00045366 1/2" x 2 3/4" (13 x 70) anchors, one per angle.
4. HVBS = Hidden Vertical Blade Support.
5. NIRC = Not in Ruskin's contract.