

## IBD20G and DIBD20G CURTAIN TYPE FIRE DAMPERS FOR GRILLES

1½ HOUR UL555 RATED FOR USE IN STATIC OR DYNAMIC SYSTEMS

### APPLICATION

IBD20G (Static) and DIBD20G (Dynamic) curtain type fire dampers for grille installation may be installed vertically in walls or horizontally in floors with fire resistance ratings of less than 3 hours. Model 'G' curtain fire dampers are offset in a sleeve to fit within the wall/floor plane behind the customer's supplied grille. The damper/sleeve assembly is installed with angle one side (FAST) to allow the use of all types of grilles.

Model 'G' dampers require access to both sides of the wall/floor for the proper installation; however, access through the grille for inspection or maintenance is permissible.

For application where the damper would be installed outside the plane of the wall or floor refer to model GA (Grille Access) or OW (Out of Wall).

### STANDARD CONSTRUCTION

#### FRAME AND BLADES

Galvanized (in gauges required by UL listing R-5531).

#### CLOSURE SPRINGS

Stainless steel (when required by UL listing R-5531).

#### FUSIBLE LINK

165°F (74°C) is standard. 212°F (100°C) and 285°F (141°C) are optional.

#### SLEEVE

Galvanized (in gauges required by UL listing R-5531).

#### MOUNTING ANGLE (FAST)

20 gauge (1.0) galvanized steel (one piece wrap around angle).

### OPTIONS

- **FM Approved** as Specification Tested Product.
- **SP100 Switch Package** to remotely indicate damper blade position.
- **Factory sealed sleeve**

### NOTES

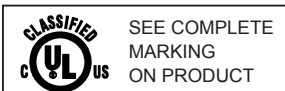
1. Dimensions shown in parentheses ( ) indicate millimeters.
2. Damper/sleeve assembly furnished actual size to inside of sleeve.

The (D)IBD20G meets the requirements for fire dampers established by:

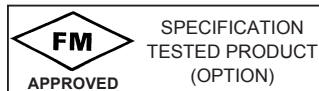
- **National Fire Protection Association** NFPA Standards 90A and 101
- **ICC International Building Codes**
- **CSFM California State Fire Marshal** Fire Damper Listing (#3225-245:005)
- **New York City** (BSA Listing #297-71-SA)

#### UL CLASSIFIED

UL555 Listing R5531



SEE COMPLETE  
MARKING  
ON PRODUCT



SPECIFICATION  
TESTED PRODUCT  
(OPTION)

### DAMPER SIZES

#### IBD20G

Not for use in Dynamic (fans on) System

#### MINIMUM SIZE

Vertical – 4"w x 4"h (102 x 102)

Horizontal Installation – 6"w x 6"h (152 x 152)

#### MAXIMUM SIZE

Vertical Installation – 48"w x 30"h (1219 x 762) or 33"w x 54"h (838 x 1372) or 36"w x 36"h (914 x 914)

Horizontal Installation – 30"w x 45½"h (762 x 1156) or 33"w x 38"h (838 x 965)

#### DIBD20G

For use in Dynamic (fans on) or Static (fans off) System

#### MINIMUM SIZE

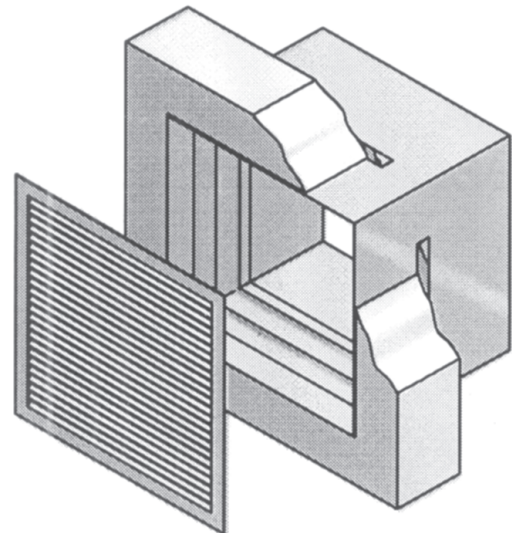
Vertical – 4"w x 4"h (102 x 102)

Horizontal Installation – 6"w x 6"h (152 x 152)

#### MAXIMUM SIZE

Vertical Installation – 33"w x 36"h (762 x 914)

Horizontal Installation – 24"w x 24"h (610 x 610)



# HOW TO APPLY IBD20G AND DIBD20G

1. Size the damper A x B (width x height)
2. 'S' dimension = 2 3/4" (70).
3. Determine the orientation (wall, floor or ceiling)
4. Determine the wall, floor or ceiling depth.

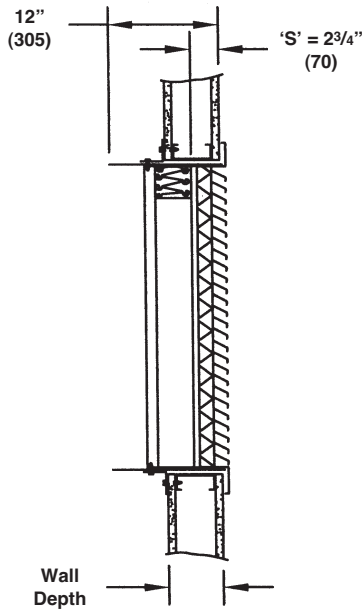
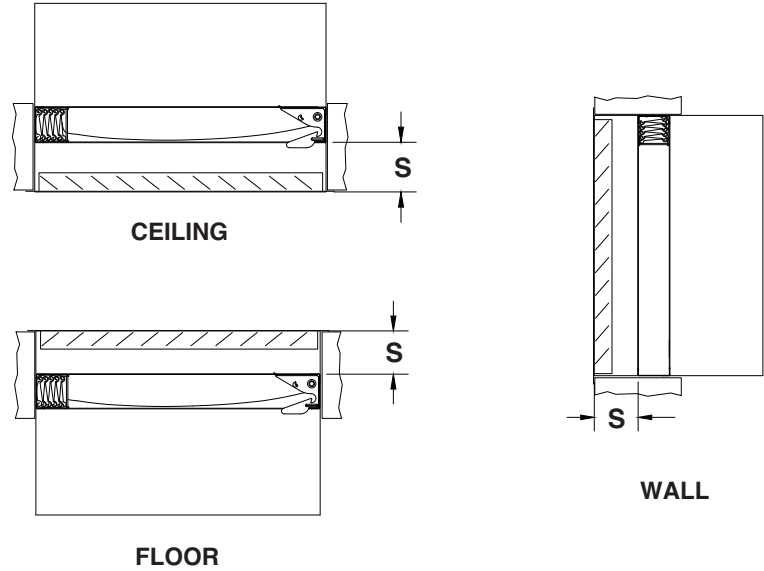
## DUCTED

1. 'G' models have a standard 'S' set back dimension of 2 3/4" (70).
2. Sleeve lengths (L) are calculated as:  
Minimum wall, floor or ceiling depth = 4" (102)
3. The minimum wall, floor or ceiling depth is calculated by adding the 'S' dimension + 1 1/4" (31) (See note 1).

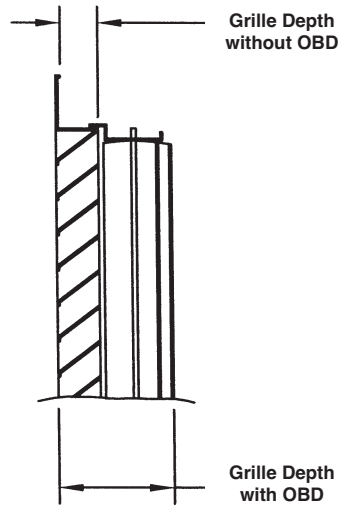
## NOTES:

1. If the wall, floor or ceiling depth is less than the minimum depth, refer to Models 'GA' or 'OW' for the proper UL installation. Also consider changing to a grille with a shallower overall depth.

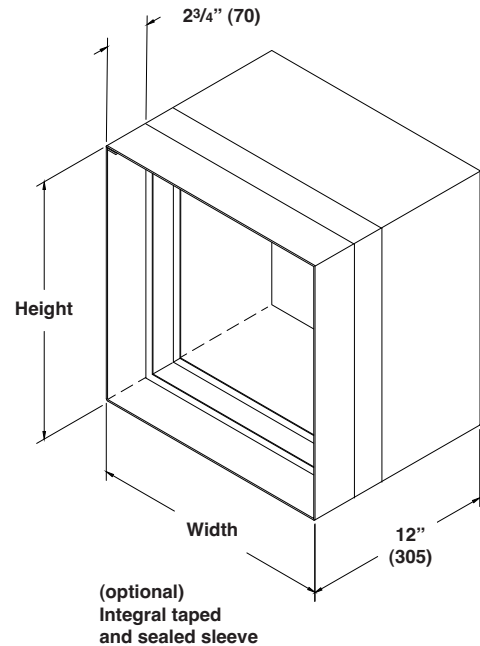
## ORIENTATION



DAMPER DETAIL



GRILLE DETAIL



**RUSKIN**®

3900 Dr. Greaves Rd.  
Kansas City, MO 64030  
(816) 761-7476  
FAX (816) 765-8955  
www.ruskin.com