

EME820DD DRAINABLE STATIONARY LOUVER EXTRUDED ALUMINUM

STANDARD CONSTRUCTION

FRAME

8" (203) deep, 6063T5 extruded aluminum with .081" (2.1) nominal wall thickness. Downspouts and caulking surfaces provided.

BLADES

6063T5 extruded aluminum, .060" (1.5) nominal wall thickness. Drainable blades are spaced approximately 2³/₄" (70) center to center.

SCREEN

5/8" x .040" (16 x 1) expanded, flattened aluminum bird screen in removable frame. Screen adds approximately 1/2" (13) to louver depth.

EXTENDED SILL

.081" (2.1) formed aluminum with end dams.

FINISH

Mill.

MINIMUM SIZE

12"w x 12"h (305 x 305).

APPROXIMATE SHIPPING WEIGHT

8 lbs. per sq. ft.

MAXIMUM FACTORY ASSEMBLY SIZE

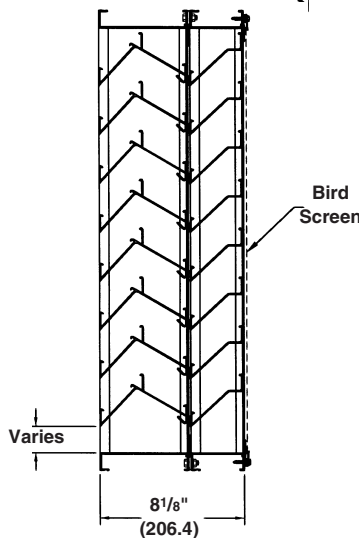
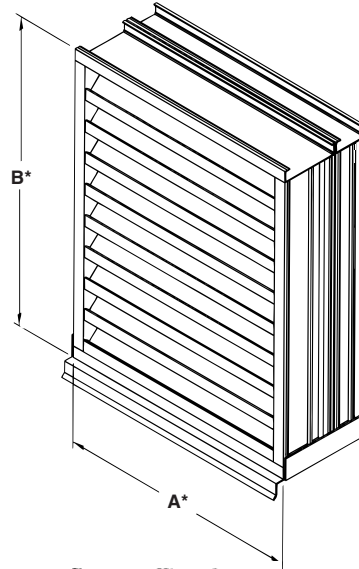
Shall be 60 sq. ft. (6m²) per section, not to exceed 120"w x 72"h (3048 x 1829) or 72"w x 120"h (1829 x 3048).

Louvers larger than the maximum factory assembly size will require field assembly of smaller sections.

SUPPORTS

Louvers may be provided with rear mounted blade supports that increase overall louver depth depending on louver size, assembly configuration or windload.

Consult Ruskin for additional information.



FEATURES

The EME820DD offers:

- 46% Free Area.
- Special blade profile prevents wind driven rain penetration.
- Rain penetration test performed under the European (HEVAC) Simulated Rain Testing Method.
- Drain gutter in each blade; downspouts in jambs and mullions to drain water from louver for minimum water cascade from blade to blade.
- Aluminum extended finished to match louver is provided.
- All aluminum construction for low maintenance and high resistance to corrosion.

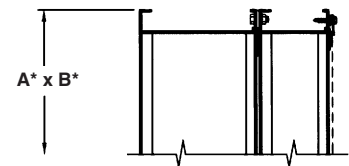
VARIATIONS

Variations to the basic design of the louver are available at additional cost. They include:

- Front or rear security bars.
- Filter racks.
- A variety of bird and insect screens.
- Selection of finishes: prime coat, baked enamel (modified fluoropolymer), epoxy, Pearledize, Kynar, clear and color anodize. (Some variation in anodize color consistency is possible.)

Consult Ruskin for other special requirements.

FRAME CONSTRUCTION



STANDARD

Dimensions in inches, parenthesis () indicate millimeters.

*Units furnished 1/4" (6) smaller than given opening dimensions.

TAG	QTY.	SIZE		FRAME	VARIATIONS
		A*-WIDE	B*-HIGH		
PROJECT ARCH./ENGR. REPRESENTATIVE			LOCATION CONTRACTOR DATE		

SUGGESTED SPECIFICATION

Furnish and install louvers as hereinafter specified where shown on plans or as described in schedules. Louvers shall possess stationary horizontal blades designed to prevent the penetration of wind driven rain. Louver blades shall be contained within a 8" (203) frame. Extended sill shall be provided to capture and drain water to exterior of building. Louver components (heads, jambs, sills, blades) shall be factory assembled by the louver manufacturer. Louver sizes too large for shipping shall be built up by the contractor from factory assembled louver sections to provide overall sizes required. Louver design shall limit span between visible mullions to 10 ft. (3) and shall withstand a wind load of 20 lbs. per sq. ft. (.96kPa) (equivalent of a 90 mph wind [145 KPH] - specifier may substitute any loading required).

Louvers shall be Ruskin Model EME820DD extruded 6063T5 aluminum alloy construction as follows:

- Frame: .081" (2.1) wall thickness, caulking surfaces provided.
- Blades: .060" (1.5) wall thickness. Drainable blades positioned at 54° angle and spaced approximately 2³/₄" (170) center to center.
- Extended Sill: .081" (2.1) wall thickness, with upturned side panels to prevent water leakage.
- Screen: 3/4" x .051" (19 x 1.3) expanded, flattened aluminum bird screen in removable frame.
- Finish: Select finish specification from Ruskin Finishes Brochure.

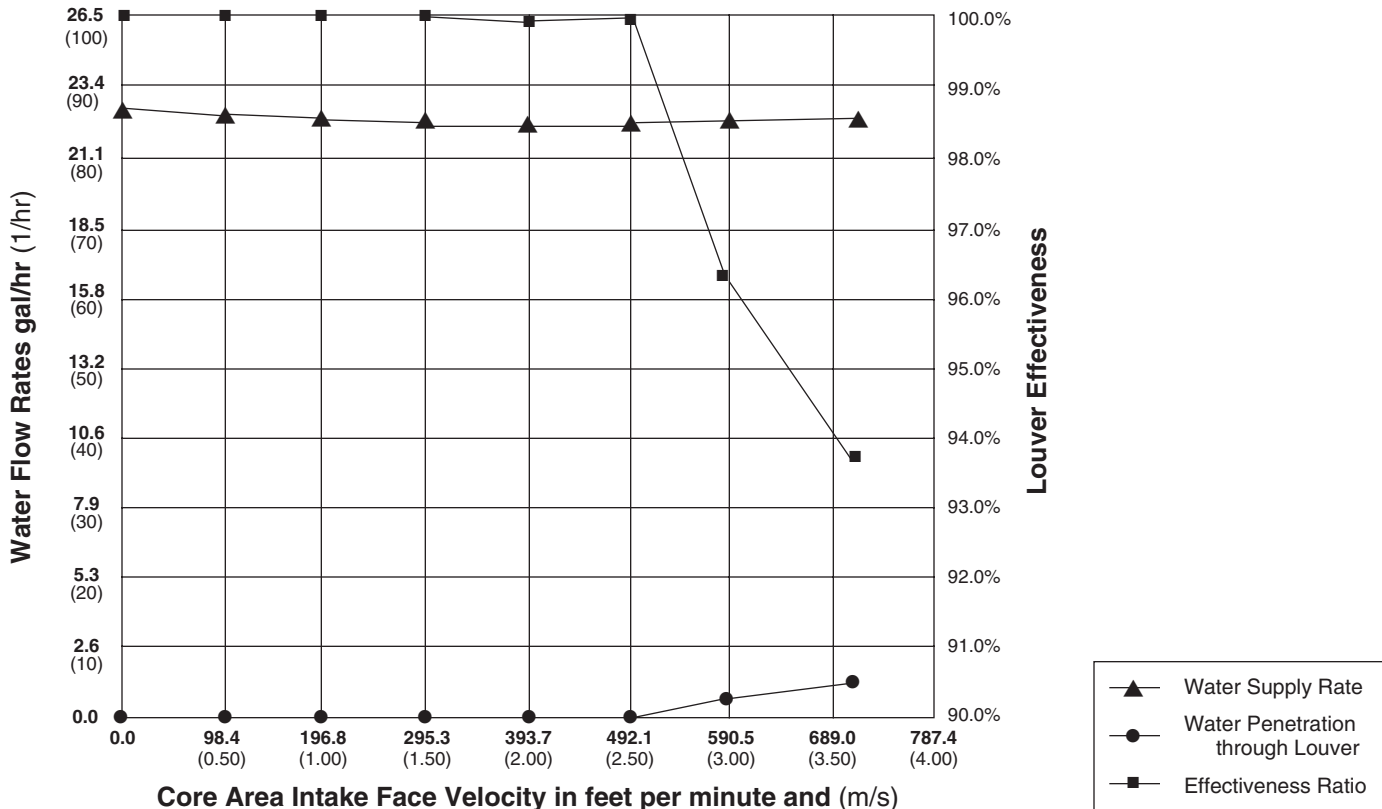
RAIN PENETRATION PERFORMANCE

HEVAC Simulated Rain Test (See Test Description Below)

Test size 39³/₈" wide x 39³/₈" high (1m x 1m)

Wind mph (m/s)	Rainfall In/Hr (mm/hr)	Intake Air			Effectiveness Ratio
		Volume CFM (m/s)	Free Area Velocity FPM (m/s)	Core Area Face Velocity* FPM (m/s)	
29.1 (13)	2.95 (75)	3560 (1.68)	834 (4.24)	394 (2.00)	99.91%
29.1 (13)	2.95 (75)	4450 (2.10)	1041 (5.29)	492 (2.50)	99.95%
29.1 (13)	2.95 (75)	4662 (2.20)	1091 (5.54)	516 (2.62)	99%

*Intake air velocity measured at the front face (exterior) of the louver across the core area (louver face area less frames and waterstops).



TEST DESCRIPTION

Performance data shown are test results from the HEVAC "Laboratory Testing and Rating of Weather Louvers When Subjected to Simulated Rain, 4th Edition" procedure conducted by BSRIA, Berkshire, England. The test subjects the exterior face of a 39.4" x 39.4" (1 x 1) louver to 29.1 mph wind and 2.95" (75) per hour simulated rainfall while intake air is pulled through the unit. Individual tests of at least 30 minutes in duration are conducted at

decreasing intake airflow rates. Testing is discontinued when the difference in water penetration through the louver during consecutive iterations becomes insignificant. Tests are also conducted with a test plate which has an opening equivalent in size to the louver core area. The Effectiveness Ratio is the percentage of water rejected by the louver that would penetrate the test plate under the same conditions.

FREE AREA GUIDE

Free Area Guide shows free area in ft² and m² for various sizes of EME820DD.

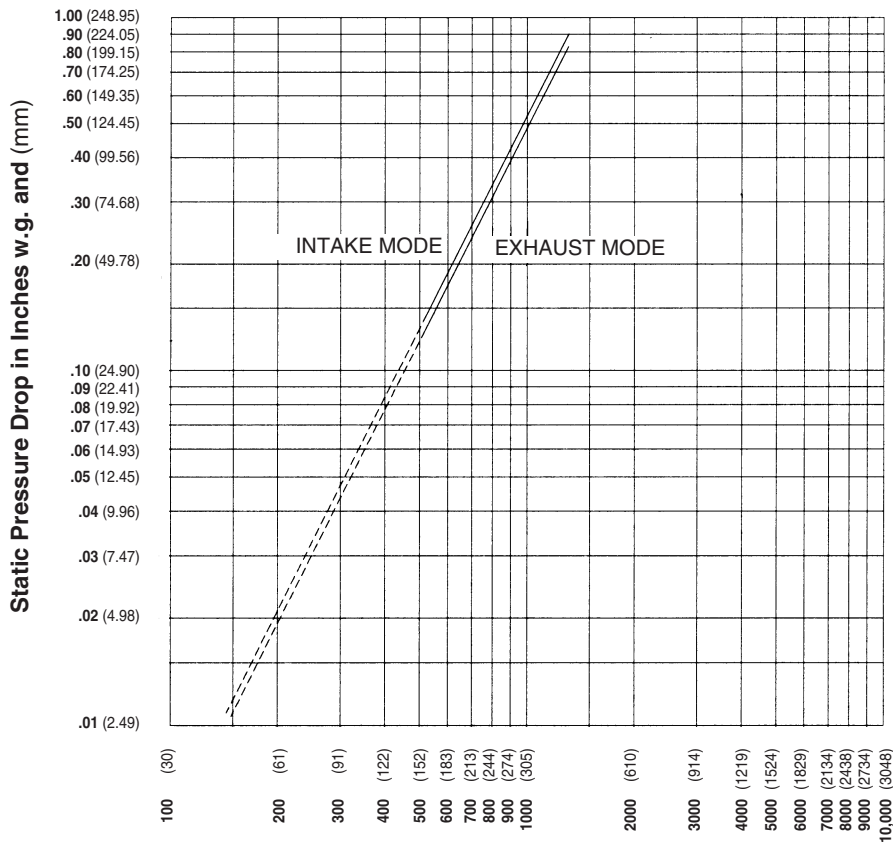
Width – Inches and Meters

Height – Inches and Meters

	12	18	24	30	36	42	48	54	60	66	72	78	84	90	96	102	108	114	120
	0.30	0.46	0.61	0.76	0.91	1.07	1.22	1.37	1.52	1.68	1.83	1.98	2.13	2.29	2.44	2.59	2.74	2.90	3.05
12	0.23	0.37	0.50	0.64	0.78	0.91	1.05	1.19	1.32	1.42	1.60	1.74	1.88	2.01	2.15	2.29	2.43	2.56	2.70
0.30	0.02	0.03	0.05	0.06	0.07	0.08	0.10	0.11	0.12	0.13	0.15	0.16	0.17	0.19	0.20	0.21	0.23	0.24	0.25
18	0.44	0.70	0.97	1.23	1.50	1.76	2.03	2.29	2.55	2.73	3.08	3.34	3.61	3.87	4.14	4.40	4.67	4.93	5.19
0.46	0.04	0.07	0.09	0.11	0.14	0.16	0.19	0.21	0.24	0.25	0.29	0.31	0.34	0.36	0.38	0.41	0.43	0.46	0.48
24	0.65	1.04	1.43	1.82	2.22	2.60	3.00	3.39	3.77	4.04	4.56	4.95	5.34	5.74	6.13	6.52	6.91	7.29	7.69
0.61	0.06	0.10	0.13	0.17	0.21	0.24	0.28	0.32	0.35	0.38	0.42	0.46	0.50	0.53	0.57	0.61	0.64	0.68	0.71
30	0.86	1.38	1.90	2.41	2.93	3.44	3.98	4.49	5.00	5.35	6.04	6.55	7.07	7.60	8.12	8.63	9.15	9.66	10.18
0.76	0.08	0.13	0.18	0.22	0.27	0.32	0.37	0.42	0.46	0.50	0.56	0.61	0.66	0.71	0.75	0.80	0.85	0.90	0.95
36	1.07	1.72	2.36	3.00	3.65	4.29	4.95	5.59	6.22	6.66	7.52	8.16	8.81	9.46	10.10	10.74	11.39	12.03	12.68
0.91	0.10	0.16	0.22	0.28	0.34	0.40	0.46	0.52	0.58	0.62	0.70	0.76	0.82	0.88	0.94	1.00	1.06	1.12	1.18
42	1.39	2.23	3.06	3.89	4.73	5.55	6.42	7.24	8.06	8.63	9.74	10.57	11.41	12.25	13.09	13.91	14.76	15.58	16.42
1.07	0.13	0.21	0.28	0.36	0.44	0.52	0.60	0.67	0.75	0.80	0.91	0.98	1.06	1.14	1.22	1.29	1.37	1.45	1.53
48	1.60	2.56	3.53	4.48	5.45	6.40	7.39	8.34	9.28	9.94	11.22	12.17	13.14	14.11	15.07	16.03	17.00	17.94	18.91
1.22	0.15	0.24	0.33	0.42	0.51	0.59	0.69	0.78	0.86	0.92	1.04	1.13	1.22	1.31	1.40	1.49	1.58	1.67	1.76
54	1.82	2.90	3.99	5.07	6.17	7.24	8.37	9.44	10.51	11.25	12.70	13.78	14.87	15.97	17.06	18.14	19.24	20.31	21.41
1.37	0.17	0.27	0.37	0.47	0.57	0.67	0.78	0.88	0.98	1.05	1.18	1.28	1.38	1.48	1.59	1.68	1.79	1.89	1.99
60	2.03	3.24	4.46	5.66	6.89	8.08	9.34	10.54	11.73	12.57	14.18	15.38	16.61	17.83	19.05	20.26	21.48	22.68	23.90
1.52	0.19	0.30	0.41	0.53	0.64	0.75	0.87	0.98	1.09	1.17	1.32	1.43	1.54	1.66	1.77	1.88	2.00	2.11	2.22
66	2.34	3.75	5.15	6.55	7.97	9.35	10.80	12.19	13.57	14.53	16.41	17.79	19.21	20.62	22.03	23.43	24.84	26.23	27.65
1.68	0.22	0.35	0.48	0.61	0.74	0.87	1.00	1.13	1.26	1.35	1.52	1.65	1.79	1.92	2.05	2.18	2.31	2.44	2.57
72	2.56	4.09	5.62	7.14	8.69	10.19	11.78	13.29	14.79	15.84	17.89	19.39	20.94	22.49	24.02	25.54	27.09	28.60	30.14
1.83	0.24	0.38	0.52	0.66	0.81	0.95	1.09	1.24	1.37	1.47	1.66	1.80	1.95	2.09	2.23	2.37	2.52	2.66	2.80

PRESSURE DROP

Ratings do not include the effect of a bird screen.

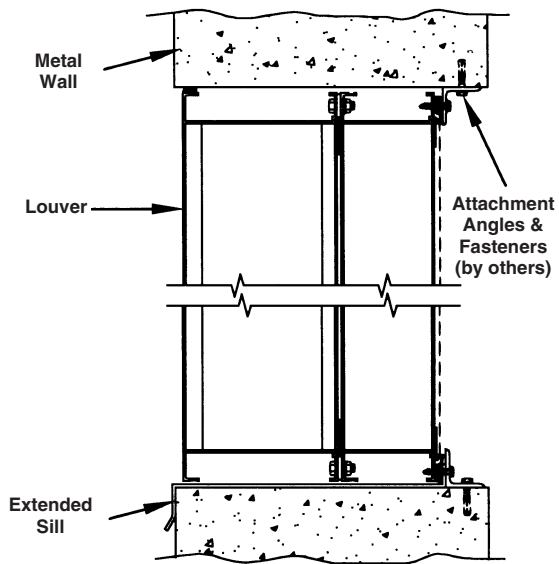


Pressure Drop tested in accordance to AMCA 500.

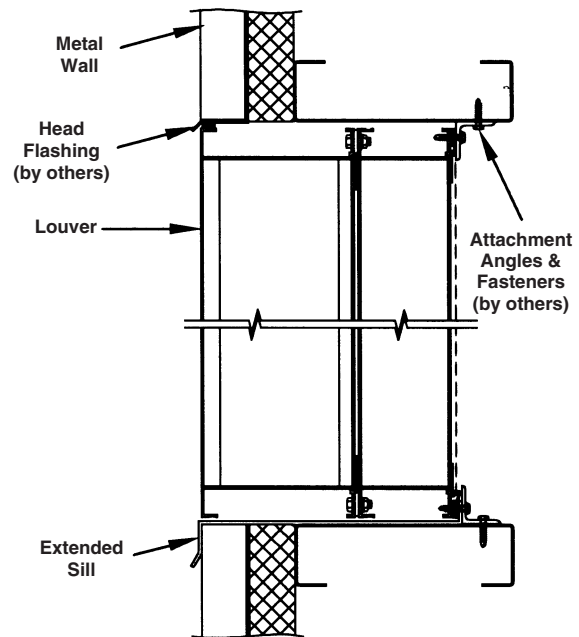
Air Velocity in feet and (meters) per minute through Free Area

TYPICAL INSTALLATION DETAILS

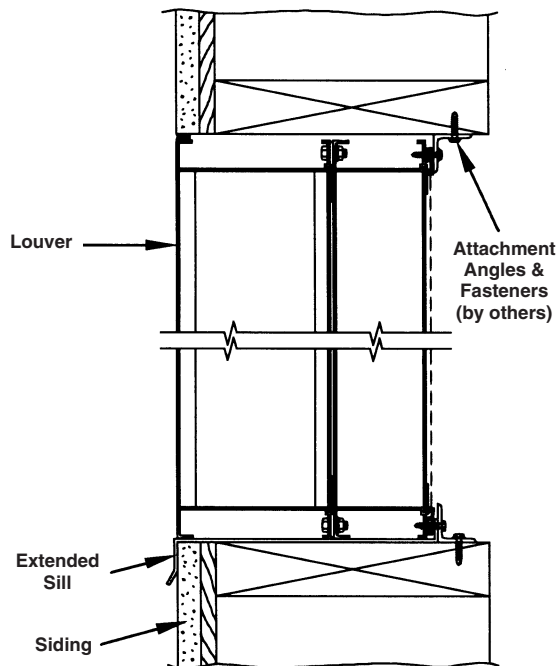
Masonry Wall



Metal Panel Wall



Wood Installation



Accessories at additional cost.

RUSKIN[®]

3900 Dr. Greaves Rd.
Kansas City, MO 64030
(816) 761-7476
FAX (816) 765-8955