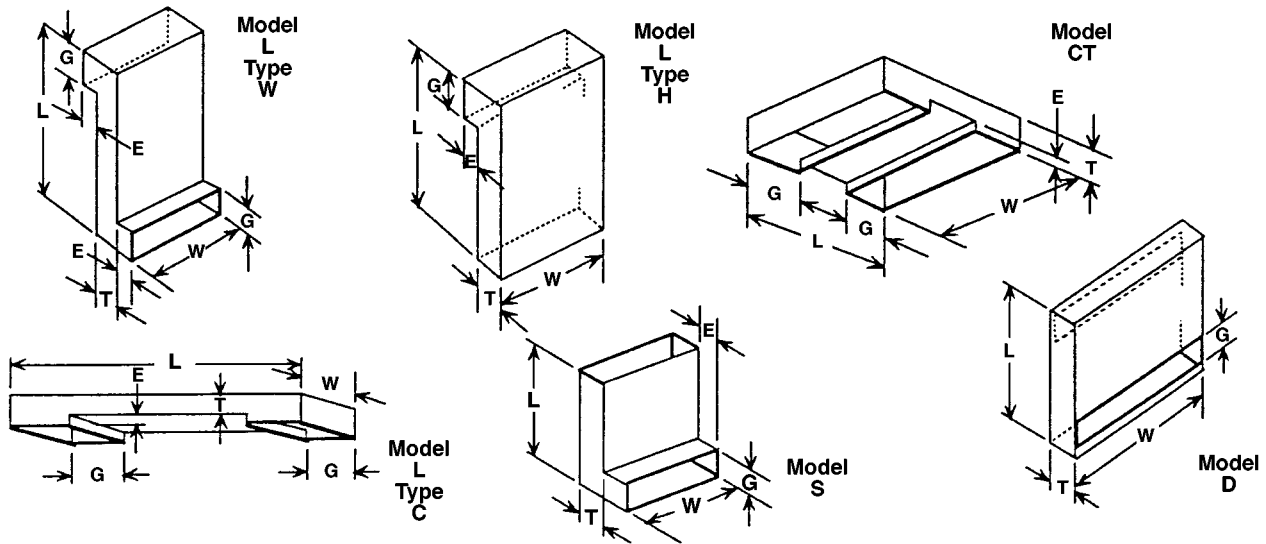




## AIR VENT TRANSFER SILENCER MODELS D, CT, L, S

3900 Dr. Greaves Rd., Kansas City, MO 64030 • Phone (816) 761-7476 • FAX (816) 763-0986 • Email: info@ruskinsound.com • Website: ruskinsound.com



MODELS	OCTAVE BAND NUMBER & CENTER FREQ (hz)							
	1	2	3	4	5	6	7	8
	63	125	250	500	1000	2000	4000	8000
<b>D</b>	10	15	18	21	28	37	38	34
<b>CT</b>	14	20	25	33	43	50	48	43
<b>L</b>	23	28	33	40	52	60	68	54
<b>S</b>	15	17	20	23	24	33	37	30

Model #	E	T	W	G	Model D	Model CT	Model L			Model S	Static Pressure	
					Length	Length	Length	Length	Airflow	Airflow		
											Type C	Type H
D-22	-	3 1/2	22	3	24	-	-	-	-	-	200	400
CT-12	7/8	8	10 1/2	8	-	22 1/2	-	-	-	-	175	355
CT-22	7/8	8	22 1/2	8	-	22 1/2	-	-	-	-	355	710
L-414	3	3 1/2	14	6	-	-	48	42	48	-	120	250
L-430	3	3 1/2	30	6	-	-	48	42	48	-	270	540
L-442	3	3 1/2	42	6	-	-	48	42	48	-	376	757
L-614	3	5	14	8	-	-	48	40	48	-	170	360
L-630	3	5	30	8	-	-	48	40	48	-	385	770
L-642	3	5	42	8	-	-	48	40	48	-	540	1060
L-814	3	7	14	10	-	-	48	38	48	-	245	505
L-830	3	7	30	10	-	-	48	38	48	-	540	1080
L-842	3	7	42	10	-	-	48	38	48	-	755	1510
S-76	8	7	6	6	-	-	-	-	-	13	100	200
S-78	8	7	8	6	-	-	-	-	-	19	133	266