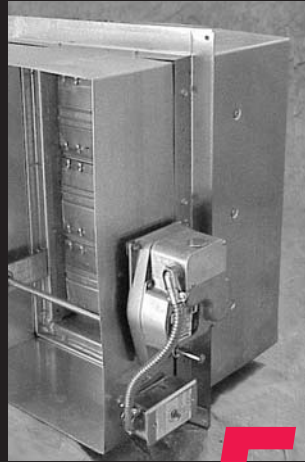


UL DAMPER INSTALLATION

Speed is Everything

Save Time...Save Money...Save NOW!



Only **ONE ANGLE**
Required
Instead of Two

FAST Angle

by Ruskin

Using Ruskin's *FAST* mounting angle can cut the time it takes to install your next fire or fire/smoke damper in half — and time is money.

One more advanced solution and "Labor Saver" from the industry's most knowledgeable air control professionals.

*One Angle. One Side. One Company.
The FAST Angle...only from Ruskin.*



SMACNA Member

RUSKIN[®]
DAMPERS AND LOUVERS

FAST Angle

Ruskin® Labor Saver

Application

Ruskin's FAST mounting angle cuts installation time in half — and time is money... But the savings don't end there! The FAST Angle allows installation before the application of sheet rock — so there's no waiting for other trades, and with only one angle required, there's no need to get to the other side of a "tough" fire damper installation.

Start using Ruskin's FAST Angle **today** for all of your fire damper installations and experience the savings!

Maximum Size (Over 30 Square Feet)

90"w x 49"h (2286 x 1245) or
49"w x 90"h (1245 x 2286)

UL Proven

The Ruskin FAST Angle is UL tested and approved for use in metal stud, wood stud or concrete/masonry wall installations. It is fastened to both the wall and the fire or fire/smoke damper sleeve.

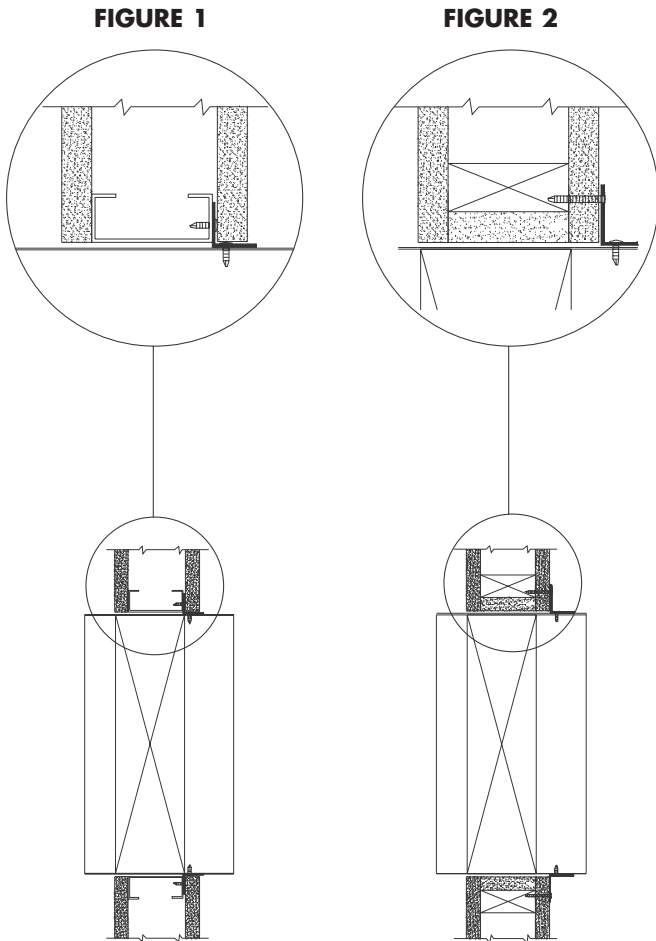
Metal Stud – The FAST Angle is fastened directly to the stud, before the fire rated gypsum wallboard is installed (Figure 1) or to the stud through the fire rated gypsum wallboard.

Wood Stud – The FAST Angle is fastened to the stud through the fire rated gypsum wallboard (Figure 2).

Concrete or Masonry – The FAST Angle is fastened directly to the concrete or masonry wall.

The FAST Approach

Contact Ruskin or your local Ruskin representative to see how you can take the FAST approach to fire and fire/smoke damper installations.



ISO9001
CERTIFIED



RUSKIN®

DAMPERS AND LOUVERS
Specified by Many – Equaled by None

3900 Dr. Greaves Rd., Kansas City, MO 64030
(816) 761-7476 Fax (816) 765-8955