

RUSKIN

**LABOR
SAVERS[®]**

LOUVERS

*The contractor's guide
to saving time and money*



LABOR SAVER

Page

#1	INSTALLER FRIENDLY SCREEN MOUNTING	3
#2	RUSKIN REDI-CLIP	3
#3	GLAZING FRAME OPTIONS	4
#4	TG FRAME OPTION	4
#5	LOUVER/DAMPER ASSEMBLY AND COMBINATION LOUVER/DAMPER	5
#6	ENGINEERED BLIND ATTACHMENTS	5
#7	RUSKIN'S EXCLUSIVE UFF	6
#8	UNIVERSAL MOUNTING SYSTEM	6
#9	QUICK AND EASY PENTHOUSE ASSEMBLY	7
#10	ENGINEERED SOLUTIONS	7
#11	SUPERIOR PACKAGING	8
#12	LARGEST SHIP SECTIONS	8
#13	RUSKIN EXPRESS	8

LET RUSKIN LOUVERS DO THE WORK FOR YOU!

Ruskin has long been the industry leader when it comes to labor saving product features. Our dampers and louvers are designed with you, the installing contractor, in mind. Our goal is to save you time and money as you work to complete the job ahead of schedule and within your budget. Use Ruskin's Louver Labor Savers today and change the way you install louvers forever.

From our easy screen mounting techniques to our frame options to our hurricane resistant applications, Ruskin's louvers are your solution to the difficult installations. Our trained engineers provide professional factory detailed drawings making the louver installations go smoothly from the beginning. Our ability to ship the industry's largest sections provides you with quick installation options. The minimum windload design for all Ruskin louvers is 20 psf, but special construction to meet any windload may be provided.

Ruskin louvers are made to exacting standards and specifications and are supported by a technical sales force nationwide. Not only does Ruskin offer the broadest louver product line, but we also have the quickest shipping program in the industry, **RUSKIN EXPRESS**. Our louvers can ship as fast as 24 hours.

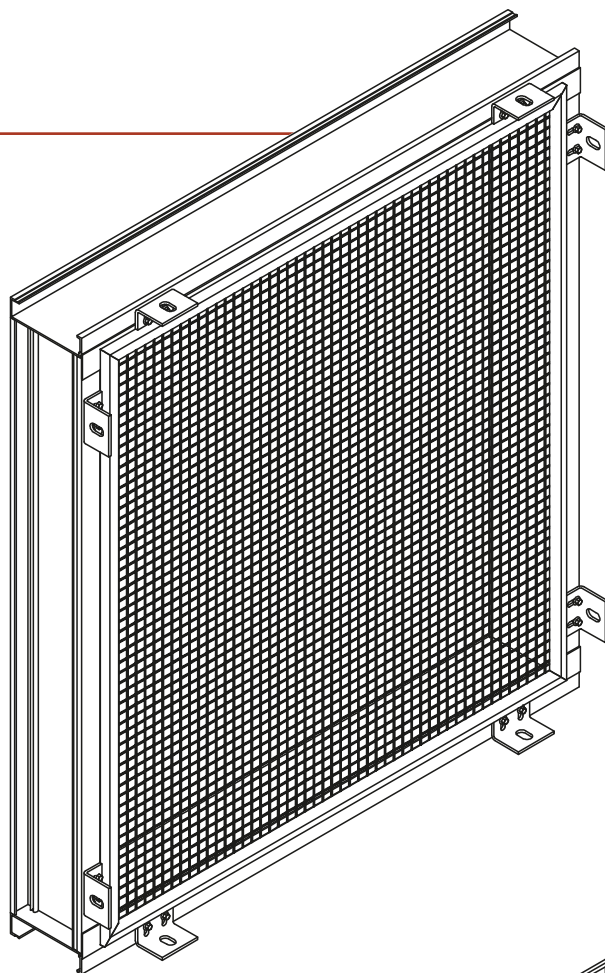
Ruskin louver finishes are second to none in the industry and give you the ultimate in flexible appearances. Our standard Kynar, Pearledize and Baked Enamel finishes include a 20 year warranty on extruded aluminum models. And if your requirements are various anodize finishes, Ruskin has the answer with our in-house state-of-the-art anodize facility. All the more reason Ruskin is **Specified By Many – Equaled By None.**

For more information on Ruskin's louvers, visit www.ruskin.com or call us at **816-761-7476**.

LABOR #1 SAVER

INSTALLER FRIENDLY SCREEN MOUNTING

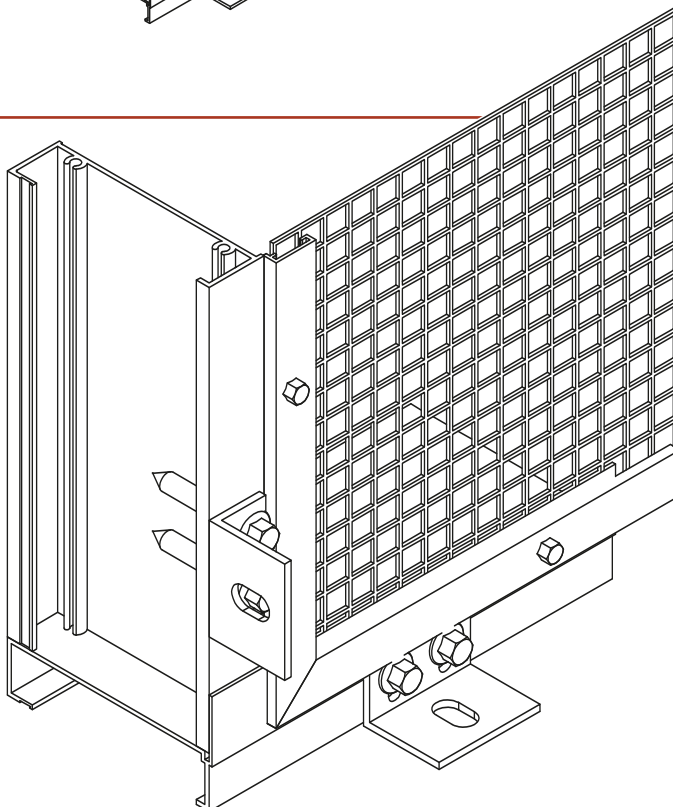
- 1" unobstructed clip mounting surface
- Faster clip installation
- Easy screen removal
- Simplifies screen cleaning or replacement



LABOR #2 SAVER

RUSKIN REDI-CLIP

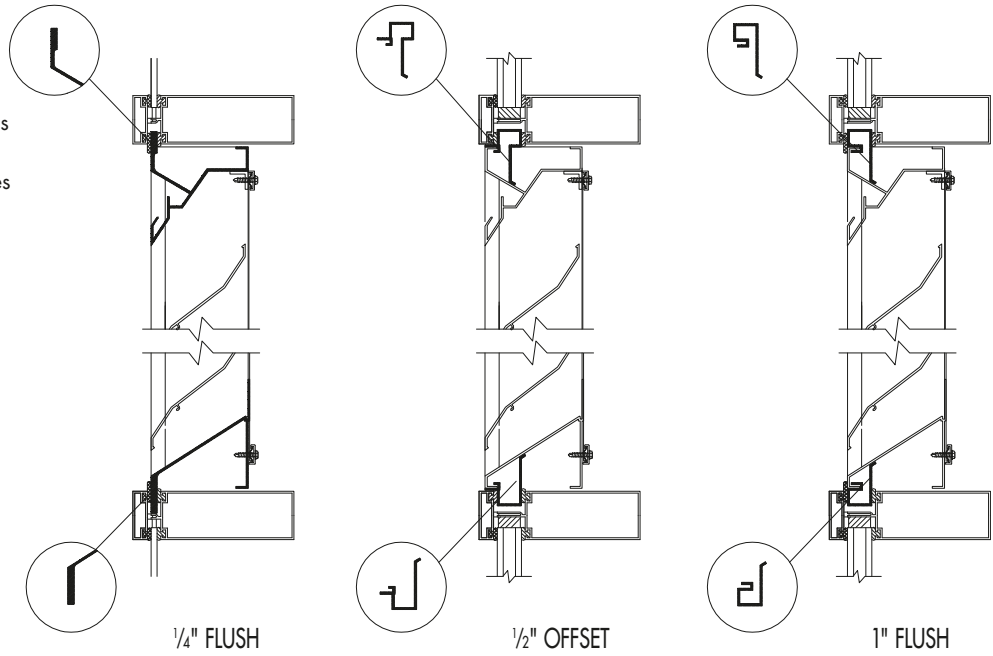
- Clips factory furnished and attached to louver
- Prevents lost clips at the job site
- Slotted for adjustments to opening
- Simplifies screen removal/replacement



LABOR #3 SAVER

GLAZING FRAME OPTIONS

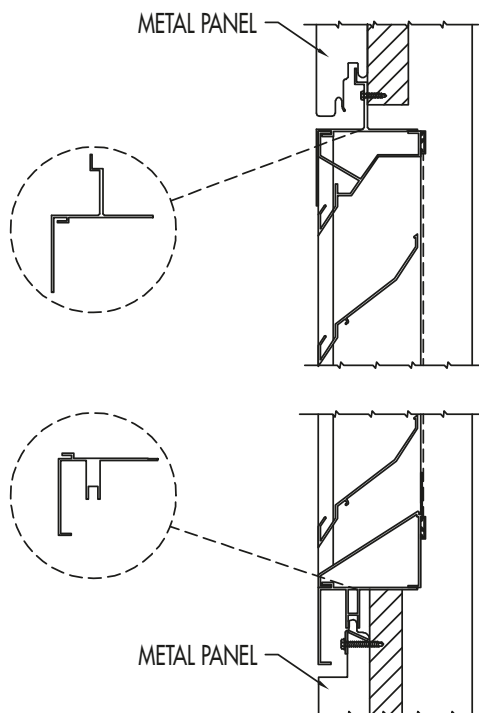
- Louvers glazed into window framing
- No additional mounting clip requirements
- Several flush or offset options available
- Fast uninterrupted procedures



LABOR #4 SAVER

TG FRAME OPTION (TONGUE & GROOVE)

- Integrates seamlessly with most foam metal panels
- No need to cut & flash panel opening
- No perimeter caulking
- No mounting clips needed

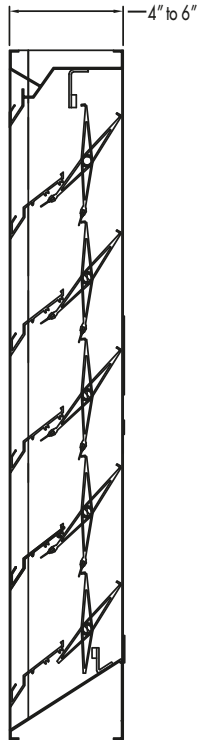


LABOR #5 SAVER

COMBINATION UNIT VS. MULTIPLE UNITS

COMBINATION LOUVER/DAMPER

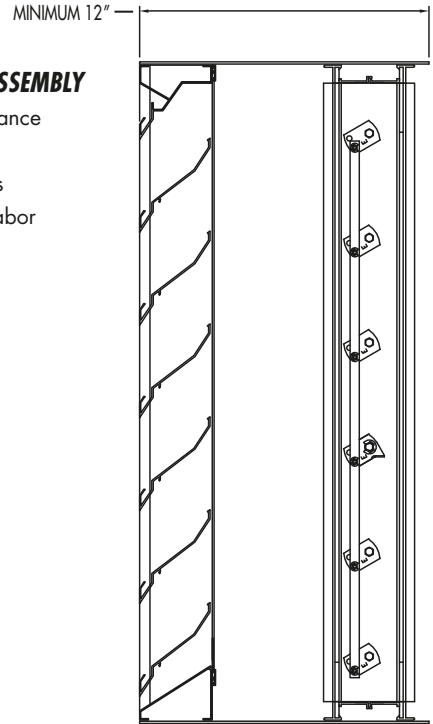
- AMCA certified performance
- Single framed louver/damper
- Fewer actuators
- Quickest installation



ELC445D – 4"
ELC6375DAX – 6"

LOUVER/DAMPER ASSEMBLY

- Uncertified performance
- Additional sleeve
- Additional actuators
- Additional time & labor

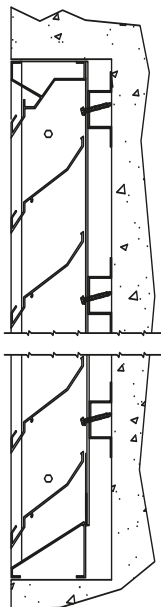


LOUVER/DAMPER COMBINATION
WITH SLEEVE

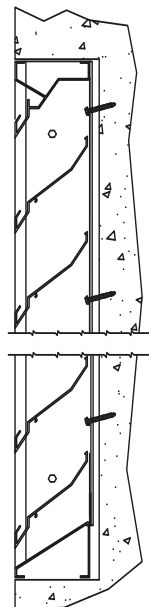
LABOR #6 SAVER

ENGINEERED BLIND ATTACHMENTS

- Ruskin proven design
- Hat channels or flush plate
- Various substrates
- Maintains structural integrity



HAT CHANNEL
ATTACHMENT

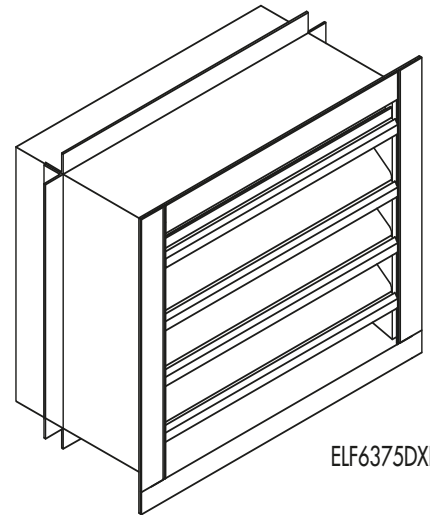
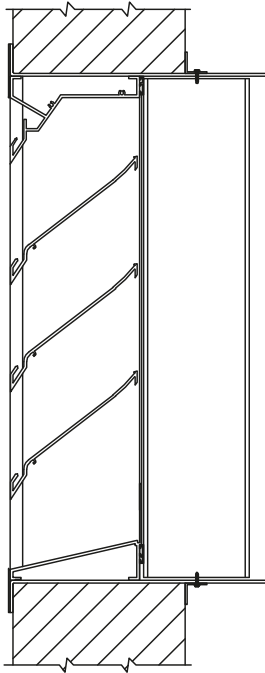


FLUSH PLATE
ATTACHMENT

LABOR #7 SAVER

RUSKIN'S EXCLUSIVE UFF (UNIVERSAL FLANGE FRAME)

- Miami-Dade Approved
- Fastest installation
- Complete parts kit provided
- Eliminates drilling and anchor bolts
- Installs in any wall material or depth

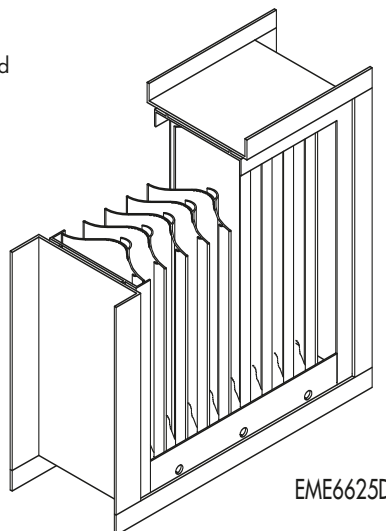


ELF6375DXD

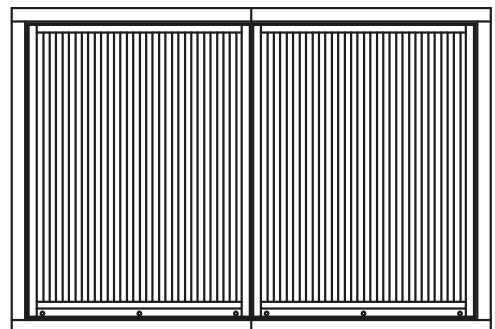
LABOR #8 SAVER

UNIVERSAL MOUNTING SYSTEM

- Best Miami-Dade wind driven rain louver installation
- Factory-fitted formed channels
- No additional hardware required
- Certified for 150 mph winds



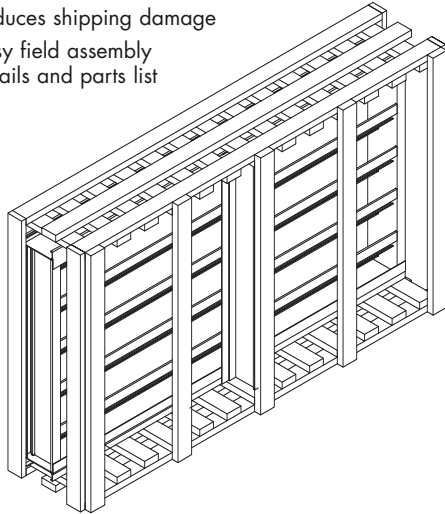
EME6625D



LABOR #11 SAVER

SUPERIOR PACKAGING

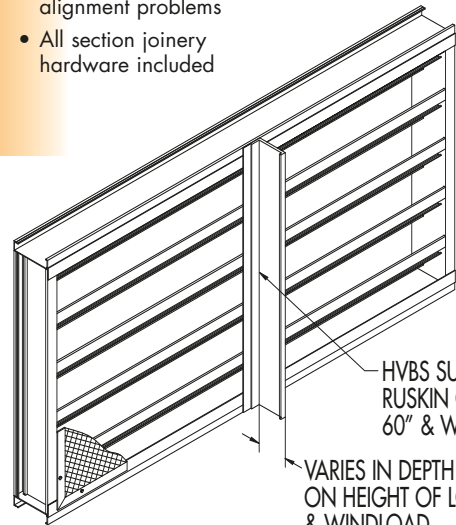
- Crated by section or floor on request
- Spacers & padding protect finish
- Reduces shipping damage
- Easy field assembly details and parts list



LABOR #12 SAVER

LARGEST SHIP SECTIONS

- Fewest components to assemble
- Largest single sections in the industry
- Eliminates blade alignment problems
- All section joinery hardware included



LABOR #13 SAVER

RUSKIN EXPRESS

- Special Express Program available
- Next day, 72 hour, 5 day, 10 day
- Available with finish (Add 2 days for standard paint or pearledize)
- Factory Finishes:
 - 70 Kynar
 - Baked Enamel
 - Pearledize 50 and 70
 - Clear and Color Anodize
- Multiple locations for faster delivery



Nobody delivers louvers faster...NOBODY!

RUSKIN®

Air & Sound Control

Specified by Many – Equaled by None

3900 Dr. Greaves Rd., Kansas City, MO 64030
(816) 761-7476 Fax (816) 765-8955
Email: ruskin@ruskin.com

ISO9001
CERTIFIED

www.ruskin.com