

IBD2GA "OUT OF THE WALL" GRILLE ACCESS FIRE DAMPERS 1½ HOUR UL555 RATED FOR STATIC SYSTEMS

APPLICATION

IBD2GA are static fire dampers designed for "out of wall" applications. The damper and sleeve assembly can be installed completely from one side of the wall and does not require mounting angles on the backside. IBD2GA fire dampers are ideal for any grille application in which the damper cannot be installed in the wall. IBD2GA fire dampers can be configured for installation up to 8" (203) out of the wall and can be built with any transition; round, oval, rectangular, on the sleeve side opposite grille, for connection to ductwork.

STANDARD CONSTRUCTION

FRAME

Galvanized steel (in gauges required by UL listing R-5531).

BLADES

Galvanized steel (in gauges required by UL listing R-5531).

SLEEVE (REQUIRED)

Minimum 6" (152) 20 gauge (1.0) galvanized steel with ¾" (19) flange one end. Factory installed thermal blanket insulation around perimeter of sleeve.

FUSIBLE LINK

165°F (74°C) is standard. 212°F (100°C) is available.

MOUNTING

Vertical.

DAMPER SIZES

MINIMUM SIZE

Vertical Installation –
Style A – 4"w x 4"h (102 x 102)

MAXIMUM SIZE

Vertical Installation –
Style A – 36"w x 36"h (914 x 914)

OPTIONS

- **SP200** Switch Package to remotely indicate damper blade position
- **Greater Grille Depth** – Consult Ruskin
- **Sleeves** of various lengths and gauges to ensure field compliance with UL installation requirements
- **Microswitch** to remotely indicate blade indication
- **ETL** – Electro Thermal Link to close damper by electrical charge
- **Stainless Steel** See IBD2SSGA

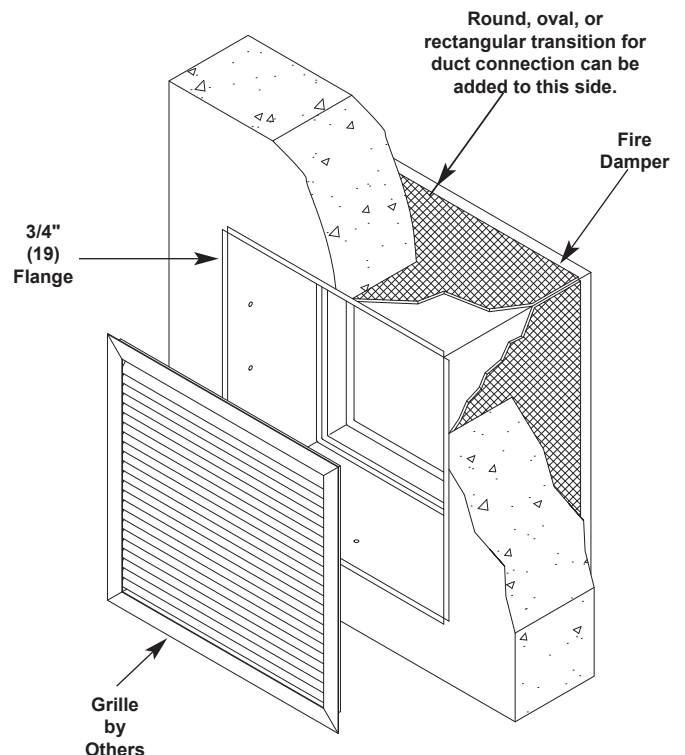
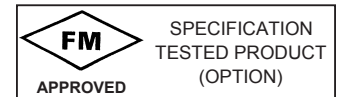
NOTES

1. Dimensions shown in parentheses () indicate millimeters
2. Damper furnished actual size to inside of sleeve.

IBD2GA fire dampers meet the requirements for fire dampers established by:

- **National Fire Protection Association NFPA Standards 80, 90A, 92A, 92B and 101**
- **ICC International Building Codes**
- **CSFM California State Fire Marshal Listing #3225-0245:005**

UL CLASSIFIED
UL555 Listing R5531



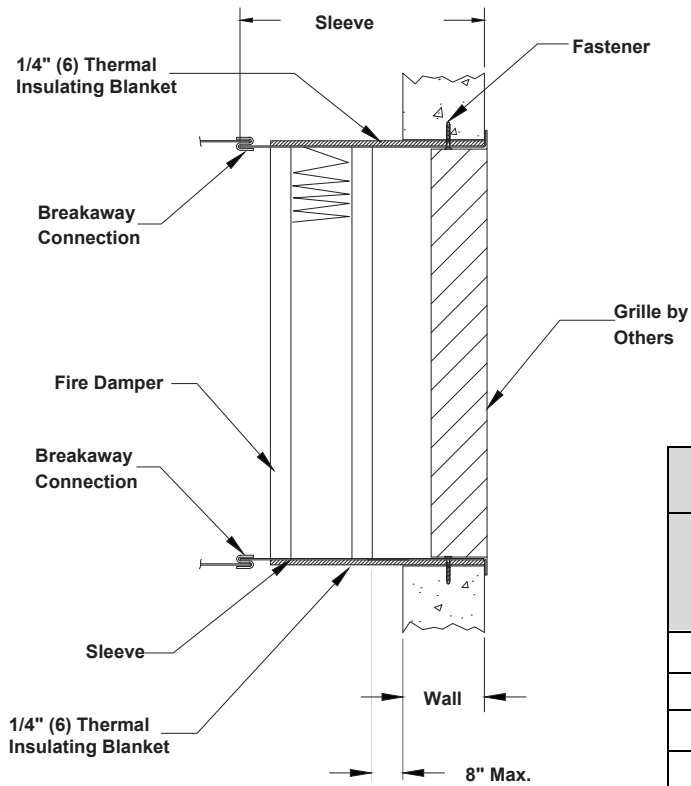
TYPICAL INSTALLATION

Wall Opening

The opening in the wall shall be sized to accommodate the overall size of the damper, sleeve, and insulation assembly. No expansion gap is required.

For proper installation, frame and finish the opening so it is 1/2" (13) larger in width and 1/2" (13) larger in height than the duct size.

For example a 24"w x 20"h (610 x 508) damper requires a wall opening of 24 1/2"w x 20 1/2"h (622 x 521). The damper/sleeve to duct connection remains 24"w x 20"h (610 x 508) and is the dimension used for grille considerations.



Minimum Sleeve Length

Grille Depth	Minimum Sleeve Length Without Duct Connection	Minimum Sleeve Length With 2" Duct Connection
1" (25.4)	6" (152.4)	8" (203.2)
2" (50.8)	7" (177.8)	9" (228.6)
3" (76.2)	8" (203.2)	10" (254)
4" (101.6)	9" (228.6)	11" (279.4)
5" (127)	10" (254)	12" (304.8)
6" (152.4)	11" (279.4)	13" (330.2)
7" (177.8)	12" (304.8)	14" (355.6)
8" (203.2)	13" (330.2)	15" (381)