

CFD8 CEILING FIRE DAMPER UL Classified Radiation Dampers

APPLICATION

UL Fire Rated Floor/Ceiling Assemblies and Roof/Ceiling Assemblies require specially tested and classified Ceiling Dampers (also called Ceiling Fire Dampers or Radiation Dampers) to provide fire and heat protection where HVAC components penetrate the ceiling membrane. **Standard, 1 1/2 and 3 hr. primary fire dampers DO NOT provide the necessary protection.**

Ruskin model CFD8 is UL Classified to provide protection of ceiling openings in fire rated floor/ceiling assemblies with fire resistance ratings of 3 hours or less.

STANDARD CONSTRUCTION

FRAME

20 gauge (.9) x 3 1/2" (89) deep galvanized steel.

BLADE

22 gauge (.8) galvanized steel, and non-asbestos insulation.

FUSIBLE LINK

165°F (74°C) is standard. 212°F (100°C) is available at no additional cost.

MINIMUM SIZE

6"w x 6"h (152 x 152).

MAXIMUM UL CLASSIFIED SIZE

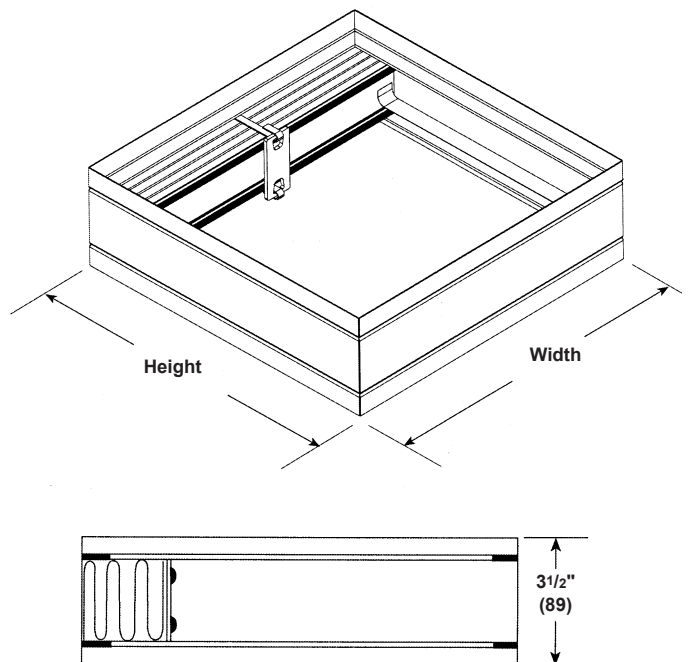
18"w x 18"h (457 x 457).

NOTE: Dimensions shown in parentheses () indicate millimeters.

**UL CLASSIFIED
ULC LISTED**
UL555C Listing R8039

Models CFD8 meets the requirements for fire/radiation dampers established by:

- **National Fire Protection Association** NFPA Standards 80, 90A, 92A, 92B, and 101.
- **ICC International Building Codes**
- **CSFM California State Fire Marshal**
Listing (3225-0245:0101)



RUSKIN[®]

3900 Dr. Greaves Rd.
Kansas City, MO 64030
(816) 761-7476
FAX (816) 765-8955
www.ruskin.com