

INSTALLATION INSTRUCTIONS A-60, FDRM82 AND FDM80 MARINE FIRE DAMPERS USCG APPROVED FOR A-60 DIVISIONS

APPLICATION

The A-60 FDRM82 and FDM80 are Lloyd's Register Certified and United States Coast Guard approved Fire Dampers for A-0, A-15, A-30 and A-60 Divisions. They have been tested in accordance with IMO Fire Test Procedures Code, Annex 1, Part 3 and can be vertically or horizontally installed in bulkheads or decks.

A-60 MAXIMUM SIZES

- Single section vertical – 29 $\frac{1}{2}$ "w x 29 $\frac{1}{2}$ " h (750 x 750)
- Single section horizontal (only) – 39 $\frac{3}{8}$ "w x 39 $\frac{3}{8}$ "h (1000 x 1000)
- Multiple section vertical – 62"w x 29 $\frac{1}{2}$ " h (1580 x 750)
- Multiple section horizontal – 62"w x 29 $\frac{1}{2}$ " h (1580 x 750)

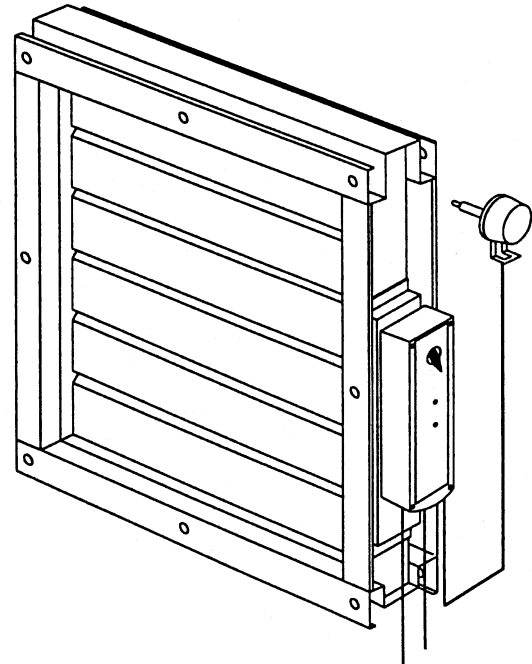
FDM80 MAXIMUM SIZES

- Single section vertical – 39 $\frac{3}{8}$ "w x 39 $\frac{3}{8}$ "h (1000 x 1000)
- Single section horizontal – 39 $\frac{3}{8}$ "w x 39 $\frac{3}{8}$ "h (1000 x 1000)
- Multiple section vertical (only) – 82 $\frac{3}{4}$ "w x 39 $\frac{3}{8}$ " h (2101 x 1000)

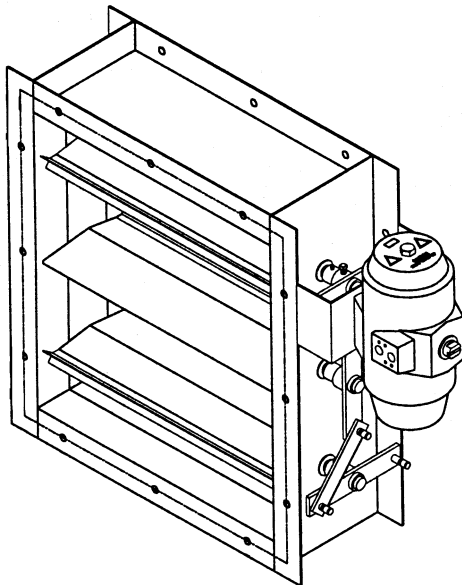
FDRM82 MAXIMUM SIZES

- Vertical or horizontal – 12" (305) diameter.

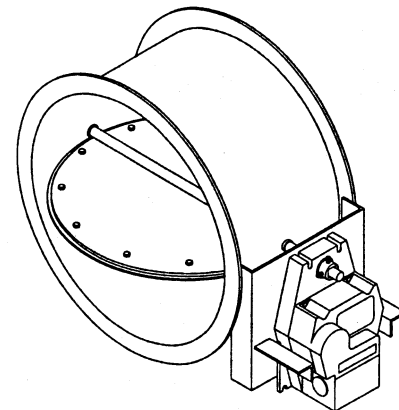
Dimensions shown in parentheses () indicate millimeters.



A-60



FDM80



FDRM82

International Maritime Fire Test Procedure Code
USCG Type Approved
A-60 Approval Number 164.139/EC0038/MED 0450262
FDM80 Approval Number 164.139/EC0038/MED 0450343
FDRM82 Approval Number 164.139/EC0038/MED 0450342

INSTALLATION INSTRUCTIONS

Ruskin's United States Coast Guard approved dampers were tested per the International Maritime Organization's Fire Test Procedure (FTP) code in a Class A bulkhead and in a Class A deck for 60 minutes. The FTP code requires that the ductwork (coaming) be insulated and that the damper be bolted or welded to the duct.

1. Insulating the Duct

The ductwork must be insulated a minimum of 12" (305) or 9" (229) on the damper side and 17" (432) on the non-damper side (see figures 1 and 2). Any US Coast Guard type approved insulation with an A-60 rating can be used. The insulation is to be installed on the duct in the same manner as the insulation protecting the division.

2. Attaching Damper to Duct

The damper can be installed to the duct using either bolts or welding. If bolts are used, they are to be a minimum of 0.375" (9.5) diameter and 1" (25) long. The fasteners should be spaced 6 in. (152) OC and a maximum of 2" (51) from the corners.

HORIZONTAL AIRFLOW - VERTICAL DAMPER MOUNT

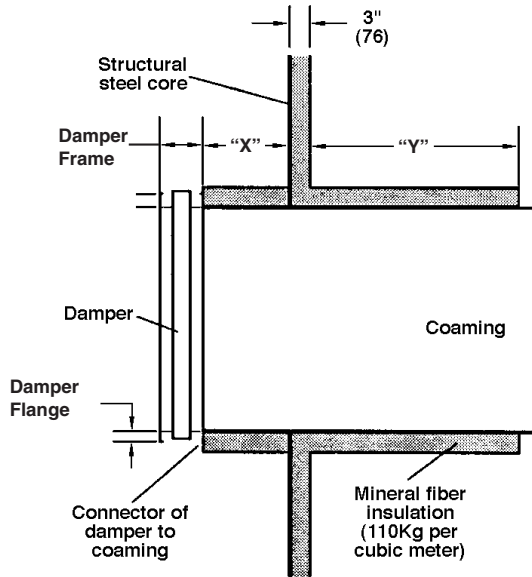


Fig 1 Bulkhead (Vertical)

VERTICAL AIRFLOW - HORIZONTAL DAMPER MOUNT

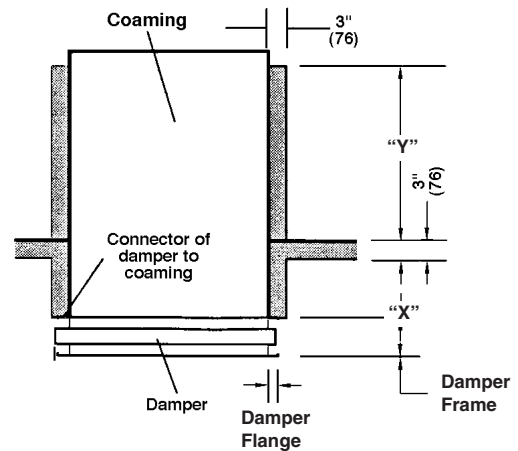


Fig 2 Deck (Horizontal)

Bulkhead (Vertical)

Model	Size	"X"	"Y"
FDM80	Single Section Max		
	39 ³ / ₈ " x 39 ³ / ₈ "	35 ¹ / ₂ "	35 ¹ / ₂ "
	100 x 1000	900 mm	900 mm
FDRM82	Multiple Section		
	82 ³ / ₄ " x 39 ³ / ₈ "	35 ¹ / ₂ "	35 ¹ / ₂ "
	2101 x 1000	900 mm	900 mm
A-60	Maximum	24"	24"
	12" (305)	610 mm	610 mm
A-60	Single Section Max	12"	24"
	29 ¹ / ₂ " x 29 ¹ / ₂ "	305 mm	610 mm
	750 x 750		
	Multiple Section		
	62" x 29 ¹ / ₂ "		
	1580 x 750		

Deck (Horizontal)

Model	Size	"X"	"Y"
FDM80	Single Section Max		
	39 ³ / ₈ " x 39 ³ / ₈ "	35 ¹ / ₂ "	35 ¹ / ₂ "
	1000 x 1000	900 mm	900 mm
FDRM82	Maximum	17"	17"
	12" (306)	432 mm	432 mm
A-60	Single Section Max	9"	24"
	29 ¹ / ₂ " x 29 ¹ / ₂ "	229 mm	610 mm
	750 x 750		
	Multiple Section		
	62" x 29 ¹ / ₂ "		
	1580 x 750		

RUSKIN[®]

3900 Dr. Greaves Rd.
 Kansas City, MO 64030
 (816) 761-7476
 FAX (816) 765-8955
 www.ruskin.com