

CD50V LOW LEAKAGE VERTICAL BLADE CONTROL DAMPER

High Performance Extruded Aluminum Airfoil

The CD50-V is an extruded aluminum damper designed to be installed with the airfoil blades running vertically. The airfoil blades make the CD50-V ideal for higher velocity and pressure HVAC systems.

STANDARD CONSTRUCTION

FRAME

5" x 1" x 6063T5 extruded aluminum hat channel with .125" minimum wall thickness (127 x 25 x 3.2). Low profile, 5" x 1/2" (127 x 13) jamb frames on dampers 12" (305) wide and less. Mounting flanges on both sides of frame.

BLADES

6" (152) wide, 6063T5 heavy gage extruded aluminum, airfoil shape.

LINKAGE

Concealed in frame.

AXLES

1/2" (13) plated steel hex.

BEARINGS

Stainless steel bearings with thrust washer.

SEALS

Blade Edge – Extruded Ruskiprene (TPR) for -72°F to +275°F (-58°C to +135°C).

Jamb – Flexible metal compressible type.

CONTROL SHAFT

Removable, 1/2" (13) diameter shaft extends 6" (152) beyond frame.

FINISH

Mill.

MINIMUM SIZE

Single blade, parallel action – 5"w x 6"h (127 x 152).

Two blade, opposed action – 9"w x 6"h (229 x 152).

MAXIMUM SIZE

Single section – 48"w x 36"h (1219 x 914).

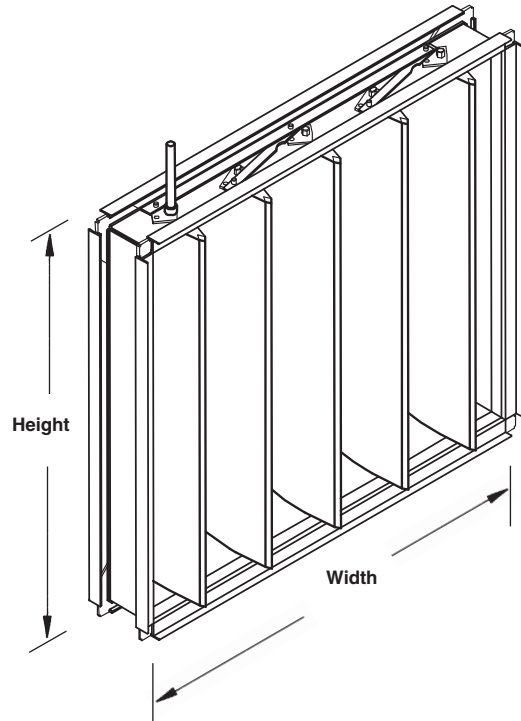
Multiple section assembly – Unlimited size.

LEAKAGE

7.2 CFM/sq. ft. (Refer to notes 3 and 4 below.)

OPTIONS

- Factory-installed, pneumatic and electric actuators.
- Enamel and epoxy finishes.
- SP100 Switch Package to remotely indicate damper blade position.
- 16 gage galvanized steel hat channel frame.
- Front, rear or double flange frame with or without bolt holes.
- Face and bypass configurations.



FEATURES

- Airfoil blade design for low pressure drop and less noise generation.
- Positive lock axles, noncorrosive bearings and shake proof linkage for low maintenance operation.
- Blade edge seals mechanically lock into the blade for superior sealing.

NOTES

1. Dimensions shown in parentheses () indicate millimeters.
2. Units furnished approximately 1/4" (6) smaller than given opening dimensions.

RUSKIN[®]

3900 Dr. Greaves Rd.
Kansas City, MO 64030
(816) 761-7476
FAX (816) 765-8955
www.ruskin.com

Printed on recycled paper
using vegetable based inks

