

Spring Return Direct Coupled Actuators

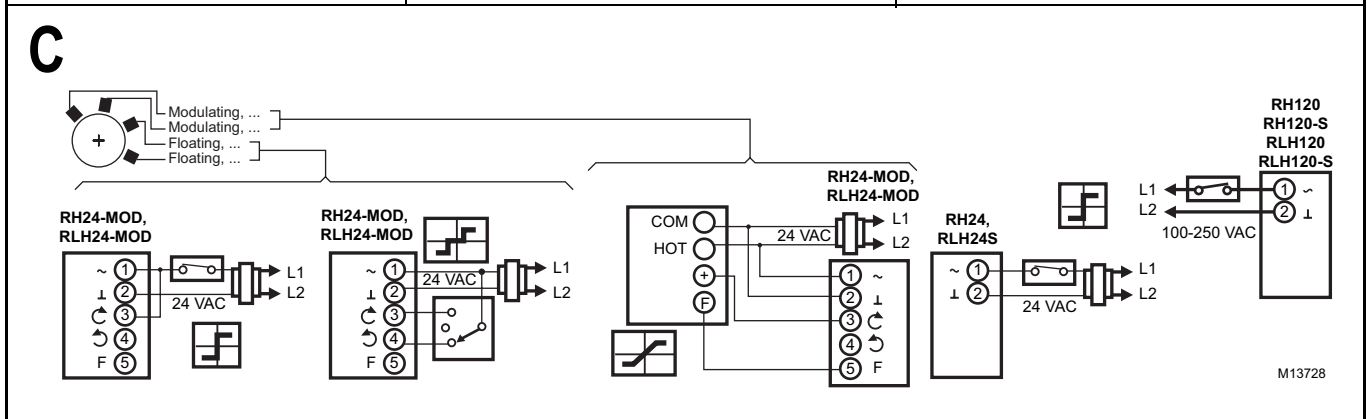
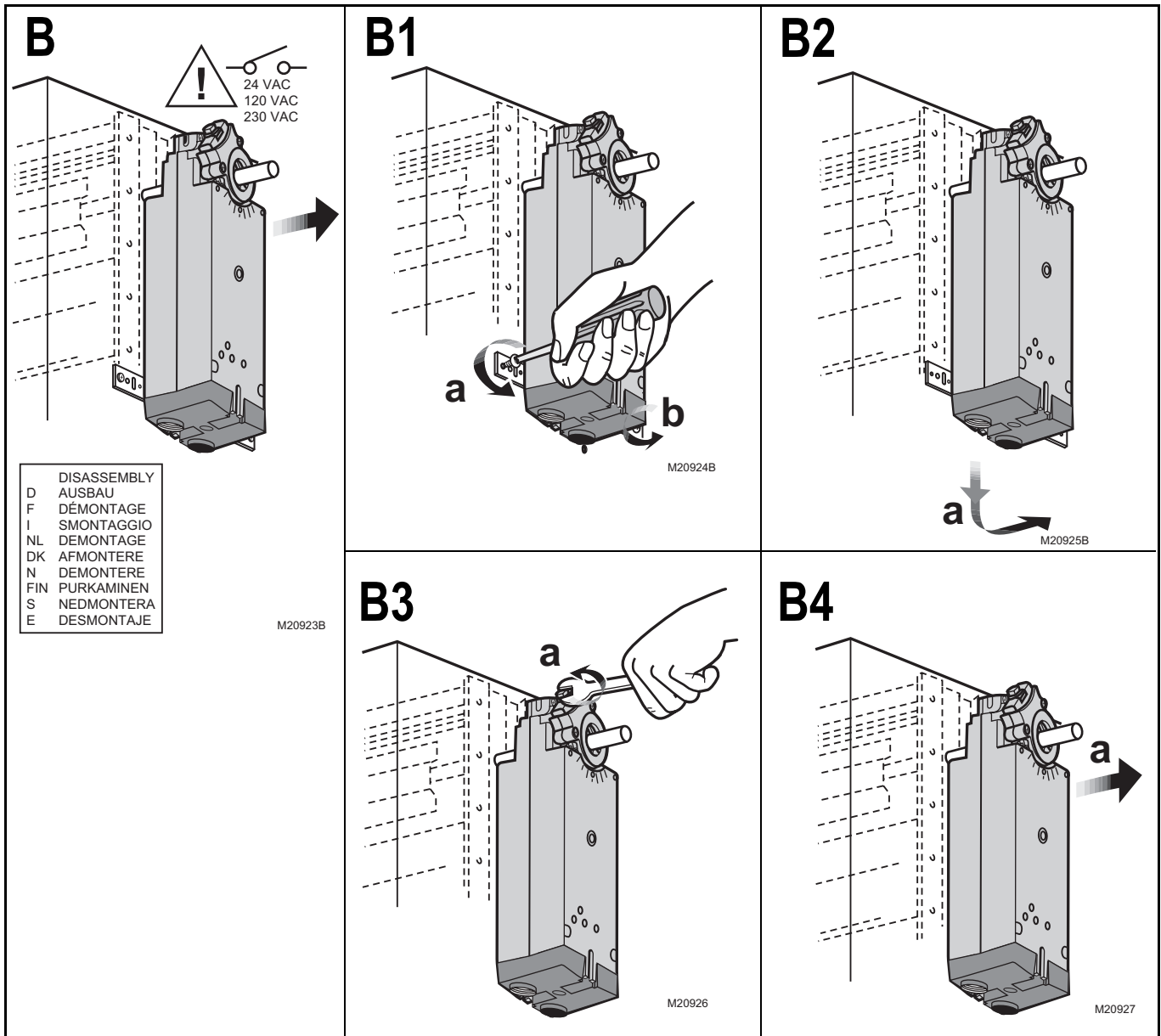
RH24, RH24-S, RH24-MOD, RH120, RH120-S, RLH24, RLH24-S, RLH24-MOD, RLH120, AND RLH120-S

INSTALLATION INSTRUCTIONS

<p>A</p> <p> ASSEMBLY D EINBAU F MONTAGE I MONTAGGIO NL MONTAGE DK MONTERE N MONTERING FIN ASENTAMINEN S MONTERA E MONTAJE </p> <p>M20918B</p>	<p>A1, A4</p> <p>M20919B</p>	<p>A2</p> <p>M20920B</p>
<p>A3</p> <p>M12030</p>	<p>A5</p> <p>M20921B</p>	<p>A6</p> <p>M20922B</p>



SPRING RETURN DIRECT COUPLED ACTUATORS



Ruskin Company
3900 Dr. Greaves Road
Kansas City, MO 64030

62-0236 05-06

Printed in U.S.A. on recycled paper containing at least 10% post-consumer paper fibers.