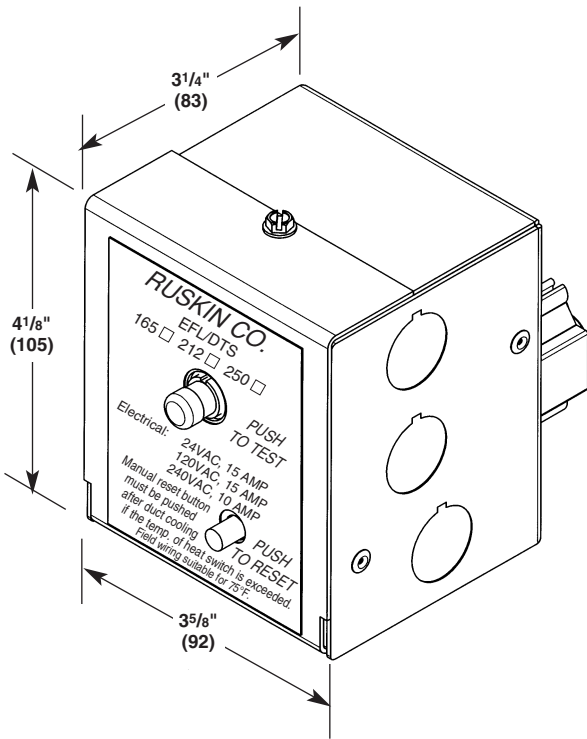


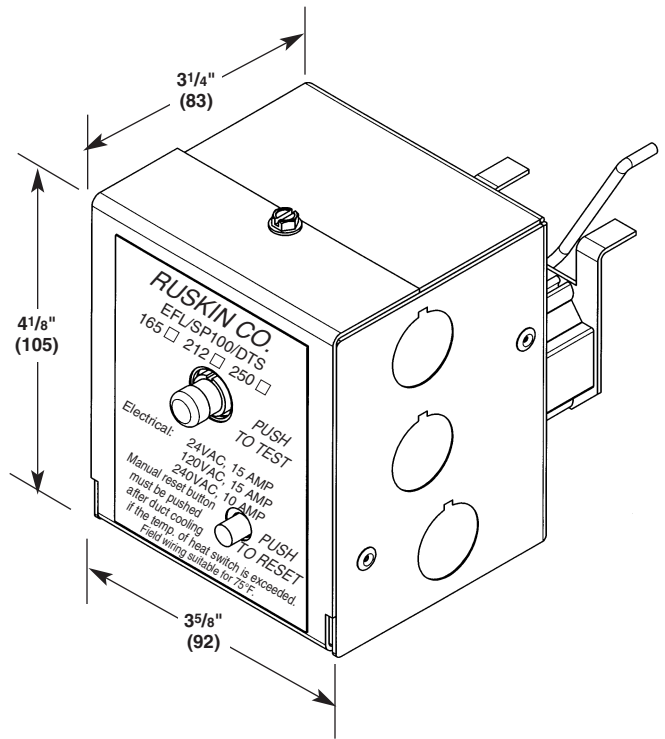
DTS – DAMPER TEST SWITCH

The Damper Test Switch (DTS) is an optional “momentary” push button test switch available on Ruskin fire/smoke dampers. The DTS gives maintenance personnel the ability to “cycle test” the fire/smoke damper by pushing and holding the button until the damper has cycled. When ordered, as an option, the DTS will be

combined with the EFL, in a common enclosure, as shown below. If the fire/smoke damper is ordered with an SP100 switch package, the DTS will be combined with the EFL and SP100 in a common enclosure as shown below.

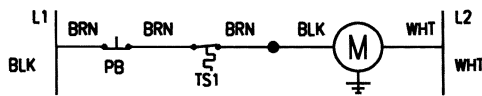


DTS/EFL

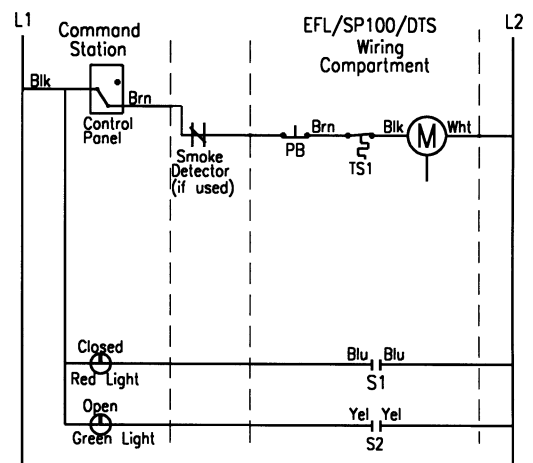


DTS/EFL/SP100

WIRING DIAGRAMS



DTS/EFL



DTS/EFL/SP100

NOTE: Dimensions shown in parentheses () indicate millimeters.

RUSKIN[®]

3900 Dr. Greaves Rd.
Kansas City, MO 64030
(816) 761-7476
FAX (816) 765-8955
www.ruskin.com