

SP200 SWITCH PACKAGE

APPLICATION

The SP200 switch package on curtain fire dampers (IBD's and DIBD's), used in conjunction with the MCP3 (Single Control Station with Open/Closed Lights) provides the ability to remotely identify the damper's blade position. Electrical interface with remote control on/off fan stations is also possible with the SP200.

OPERATION

The SP200 switch package consists of a switch box containing two damper position indicator switches. One switch closes when the blades are fully open and the second switch closes when the blades are fully closed. The switches positively communicate to the fire commander the position of the blades when interfaced with the fire command center.

Refer to the appropriate damper installation instructions for details on damper installation. All electrical wiring and connections to the SP100 must be in accordance with the National Electric code and the local authority with jurisdiction.



MICRO SWITCH SPECIFICATIONS

High temperature to 302°F (150°C)

Single pole, double throw

AMP Ratings:

15 AMPS, 1/3 HP, 125 OR 250 VAC

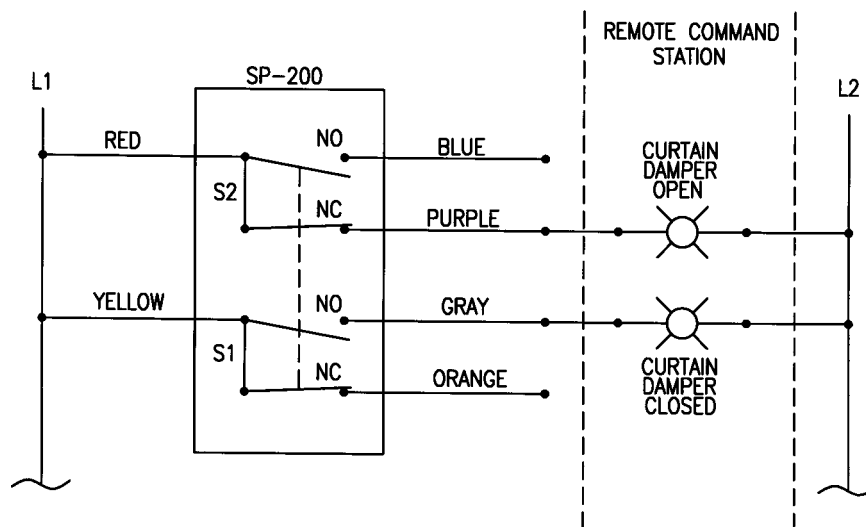
1/2 AMP, 125 VDC, 1/4 AMP, 250 VDC

5 AMPS, 120 VAC "L" (Lamp Load)

24 VDC, 1.5 AMPS

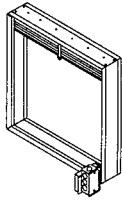
24 VAC, 10 AMPS

SP200 WIRING

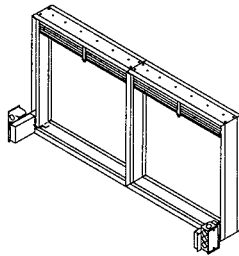


WIRING DETAIL

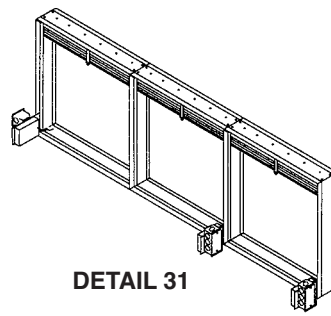
SP200 LOCATION DETAILS



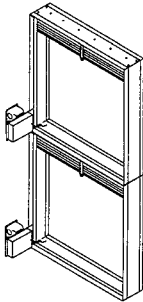
DETAIL 11



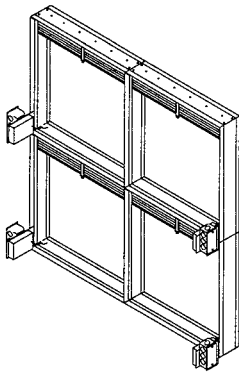
DETAIL 21



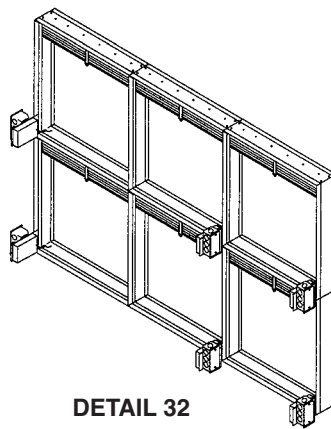
DETAIL 31



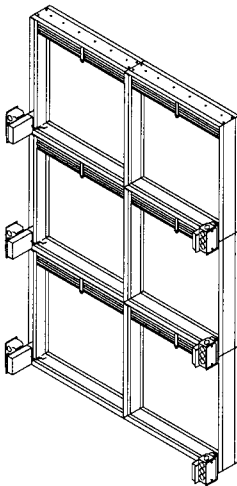
DETAIL 12



DETAIL 22

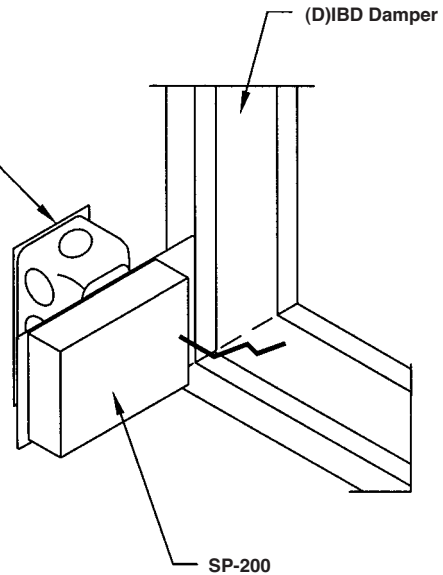


DETAIL 32



DETAIL 23

2 x 4 Handy Box



Standard Mounting Detail