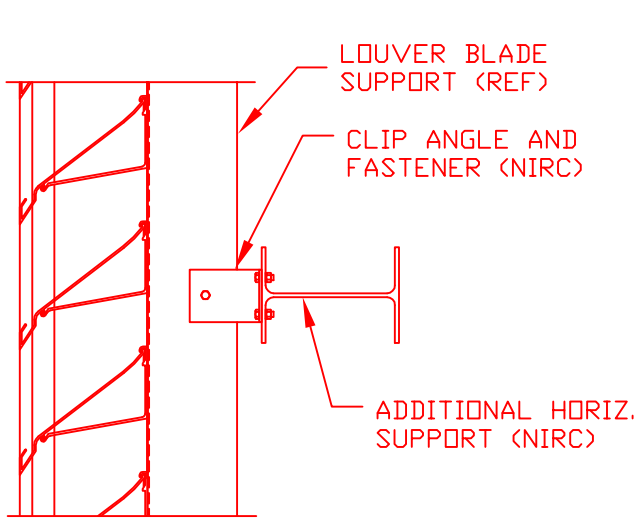
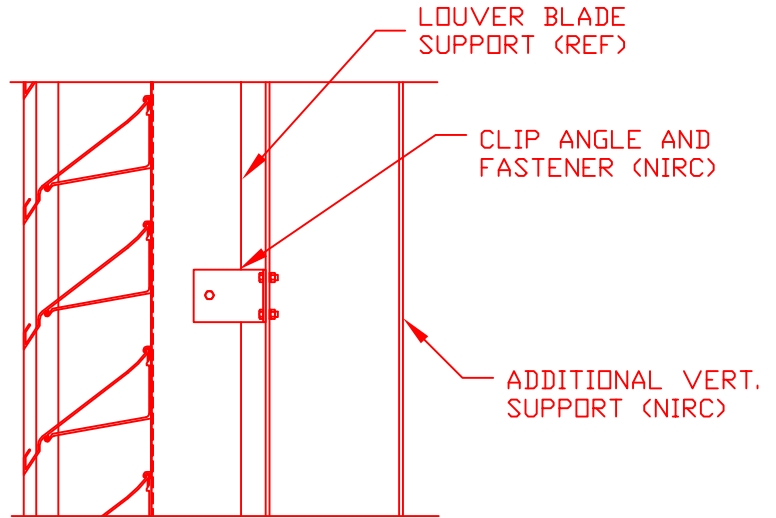


RUSKIN LOUVERS OVER 180" TALL REQUIRE ADDITIONAL STURCTURAL SUPPORT PROVIDED BY OTHERS FOR SUPPORT. TYPICALLY THESE SUPPORTS ARE EITHER HORIZONTAL OR VERTICAL STRUCTURAL MEMBERS. THE DETAILS SHOWN BELOW ARE SUGGESTIONS FOR THE CONNECTION OF THE LOUVER BLADE SUPPORTS AND VISIBLE MULLIONS TO THE ADDITIONAL STRUCTURAL SUPPORTS. HOWEVER, THE ACTUAL DESIGN, SUPPLY AND INSTALLATION OF THE ADDITIONAL SUPPORTS AND ASSOCIATED INSTALLATION ANGLES AND FASTENERS IS BY OTHERS.



HORIZONTAL SUPPORT



VERTICAL SUPPORT

1. NIRC = NOT IN RUSKIN CONTRACT

2. HORIZONTAL AND VERTICAL SUPPORTS TO BE ENGINEERED, PROVIDED AND INSTALLED BY OTHERS. THEY MUST BE CONNECTED TO EVERY LOUVER BLADE SUPPORT AND VISIBLE MULLION. THEY ARE TO BE INSTALLED AT EQUAL SPACING BEHIND THE LOUVERS SO THAT THEY ARE CONNECTED TO THE LOUVER BLADE SUPPORTS AND VISIBLE MULLIONS AT 180" OR LESS ON CENTER SPACING.

3. CLIP ANGLES AND FASTENERS ARE DESIGNED, PROVIDED AND INSTALLED BY OTHERS.



3900 DR. GREAVES RD
GRANDVIEW, MD 64030
PROPRIETARY INFORMATION

PLOT SCALE

N.T.S.

DWN.
BY: WRT
DATE: 2/15/08

TITLE

SUGGESTED ADDITIONAL
SUPPORT CONNECTION DETAIL

SKETCH NO.

ADDSUPPT1