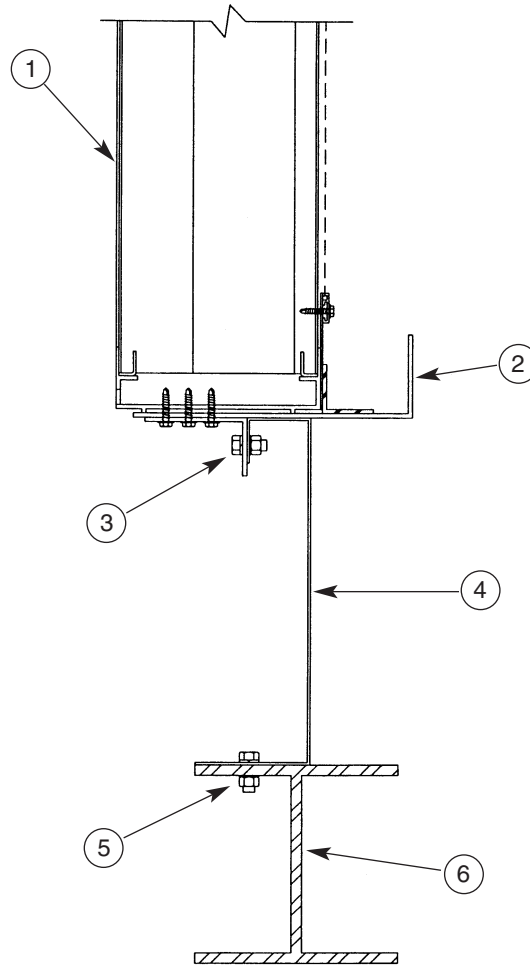


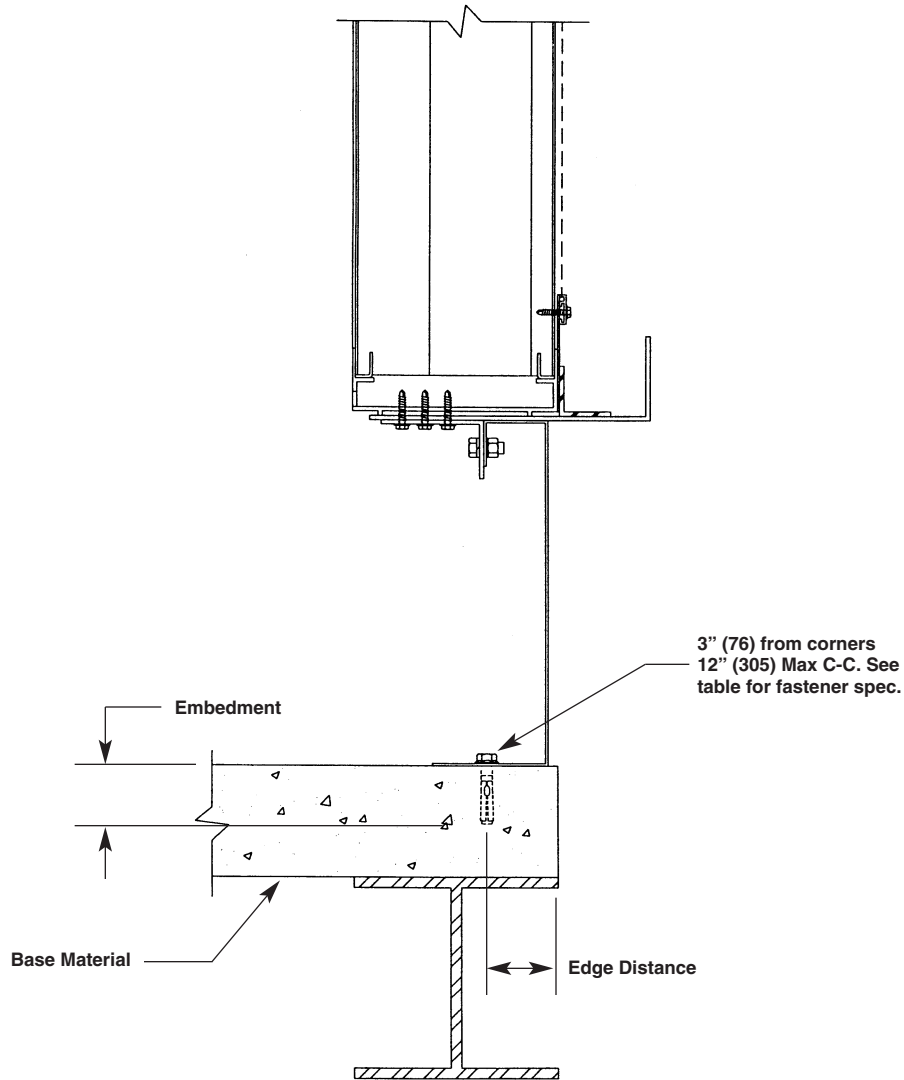
**INSTALLATION DETAILS**  
**PHB6625D BOXED CORNER PENTHOUSE**  
MIAMI-DADE COUNTY, FLORIDA NOTICE OF ACCEPTANCE #08-1003.05 (EXPIRES 11/20/13)



### PHB6625D INSTALLATION DETAIL

1. Penthouse louvers.
2. Extended sill base.
3.  $\frac{3}{8}$ " x  $1\frac{1}{2}$ " HHB w/washer, lock washer, and hex nut mounted 12" on center 3" from ends. Installer to attach through curb and sill support.
4. Steel curb provided by others: curb top width 2" + 0"-1/8", curb base width 3" - 4" (24" max height; min. 14 ga. steel).
5. Fastener provided by others (for other installation methods see Detail 2 and chart).
6. Structure provided by others.

## CURB ANCHOR DETAILS - DETAIL 2



Base Material	Fastener Type	Special Requirements
Timber Frame	5/16" Dia. Lag Screw	3" Min. Embedment, 1 1/2" Edge Distance
Steel Decking	3/8" Dia. Self-Tapping Screw	10 ga. Min. Thickness for Base Material
Concrete	3/8" Dia. Hilti Kwik Bolt II Expansion Anchor or Equal	2 1/2" Min. Embedment and Edge Distance, 2,000 psi Min. Concrete

**RUSKIN**<sup>®</sup>

3900 Dr. Greaves Rd.  
Kansas City, MO 64030  
(816) 761-7476  
FAX (816) 765-8955  
www.ruskin.com