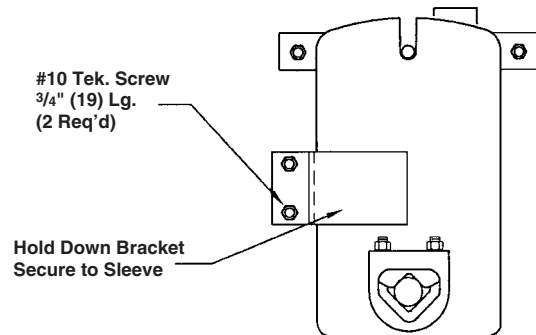
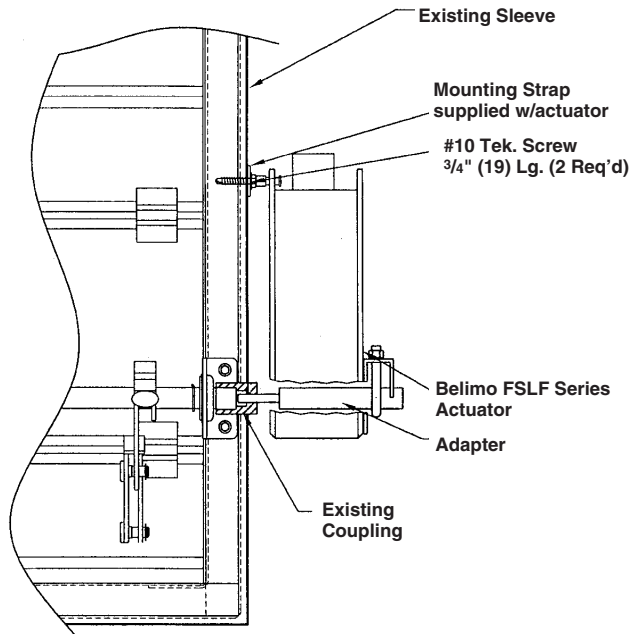


FSLF120/MP AND FSLF24/MP REPLACEMENT FOR MP2781



ACTUATOR HOLD DOWN DETAIL

NOTES:

1. Remove existing actuator, actuator mounting brackets, and all actuator hardware from damper.
2. Install mounting bracket with (2) #10 x 3/4" (19) lg. tek screws.
3. Install adapter.
4. Install actuator onto adapter (do not tighten set screws on actuator). Install Tru-Arc rings onto mounting bracket.
5. Install hold down bracket as shown in detail above.
6. Wire actuator per manufacturers instructions and per local code.
7. For the following operation hold adapter in place while cycling actuator until actuator clamp is tightened (to prevent adapter from walking outwards).
8. Fully open damper and energize actuator. Once actuator has reached the end of its rotation, tighten actuator clamp..
9. De-energize actuator, make certain damper reaches the fully closed position. Cycle actuator several times to ensure proper operation.
10. Clamp on actuator must engage round portion of shaft. If required square portion of adapter can be trimmed in field for proper fit.

HOW TO ORDER:

Replacement kit part number is FSLF120/MP or FSLF24/MP. Each kit includes all the parts shown above including the actuator.

IMPORTANT NOTE:

This repair does not reflect a UL tested repair. When actuators fail on existing dampers, the local authority having jurisdiction sets the code requirements for replacement actuators. The local inspector or fire marshal should be consulted. In some jurisdictions, a product meeting current codes may be required.

RUSKIN[®]

3900 Dr. Greaves Rd.
Kansas City, MO 64030
(816) 761-7476
FAX (816) 765-8955
www.ruskin.com