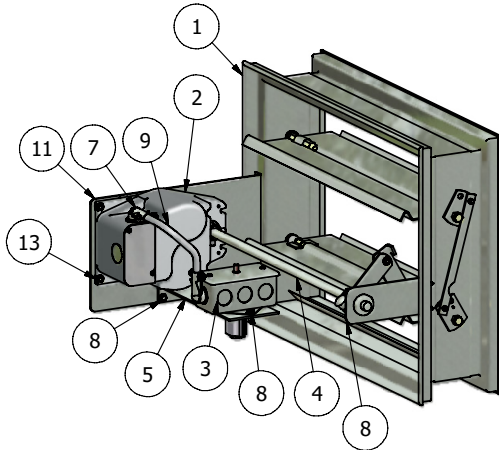


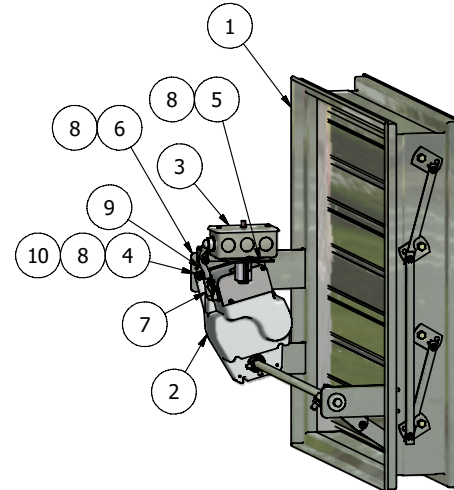
H2000INT REPLACEMENT KIT ACTUATOR AND EFL NOT INCLUDED



DETAIL A
FOR UNITS UNDER 16" TALL

INSTALLATION INSTRUCTIONS FOR DETAIL A

1. Remove existing actuator, actuator mounting brackets, and all actuator hardware from damper.
2. Remove bearing bracket on left hand side and slide the bracket off the jackshaft and remove hose clamp.
3. Slide (Item #2) actuator on to jackshaft.
4. Replace bearing bracket and hose clamp.
5. Attach actuator mounting strap (Item #6) to internal actuator mounting bracket (Item #5) with TEK screw (Item #9).
6. Attach internal actuator mounting bracket (Item #5) to fire smoke damper with 4 TEK screws (Item #9) while moving actuator into place on bracket.
7. Attach (Item #4) EFL internal mounting bracket with (Item #9) TEK screws (2 req'd) to (Item #5) internal actuator mounting bracket.
8. Attach (Item #3) EFL assembly to EFL internal mounting bracket with 2 TEK screws (Item #9).
9. Wire actuator and EFL per manufacturer's instructions and per local code.
10. Fully open damper and energize actuator. Once actuator has reached the end of its rotation tighten nuts on actuator collar.
11. De-energize actuator, make certain damper reaches the fully closed position. Cycle actuator several times to ensure proper operation.



DETAIL B
FOR UNITS 16" AND TALLER

INSTALLATION INSTRUCTIONS FOR DETAIL B

1. Remove existing actuator, actuator mounting brackets, and all actuator hardware from damper.
2. Remove bearing bracket on left hand side and slide the bracket off the jackshaft and remove hose clamp.
3. Slide (Item #2) actuator on to jackshaft.
4. Replace bearing bracket and hose clamp.
5. Attach Honeywell mounting strap (Item #6) to motor mounting angle (Item #10) with 2 TEK screws (Item #9).
6. Attach actuator mounting angle (Item #10) to fire smoke damper with two TEK screws (Item #9) while moving actuator into place.
7. Attach piggyback angle for EFL mounting (Item #12) to motor mounting angle (Item #10) with 2 TEK screws.
8. Attach (Item #11) EFL internal mounting bracket with (Item #9) TEK screws (2 req'd) to (Item #12) piggyback angle.
9. Attach (Item #3) EFL assembly to internal mounting bracket with 2 TEK screws (Item #9).
10. Wire actuator and EFL per manufacturers instructions and per local code.
11. Fully open damper and energize actuator. Once actuator has reached the end of its rotation tighten nuts on actuator collar.
12. De-energize actuator, make certain damper reaches the fully closed position. Cycle actuator several times to ensure proper operation.

IMPORTANT NOTE:

This repair does not reflect a UL tested repair. When actuators fail on existing dampers, the local authority having jurisdiction sets the code requirements for replacement actuators. The local inspector or fire marshal should be consulted in some jurisdictions, a product meeting current codes may be required.

MS4120INT ACTUATOR REPLACEMENT KIT

PARTS LIST		
ITEM	QTY	DESCRIPTION
1	1	Fire Smoke Damper
2	1	Actuator (by others)
3	1	EFL Assembly
*4	1	EFL Internal Mounting Bracket
*5	1	Internal Actuator Mounting Bracket
6	1	Actuator Mounting Strap
7	2	Straight 3/8 Flex Conduit Fitting
8	1	3/8" (10) Flex Conduit
*9	10	Tek Screw, HWH, SD 10-16 - 3/4" (19) lg, pltd.
*10	1	Internal Motor Mounting Angle
*11	1	EFL Internal Mounting Bracket
*12	1	Piggyback Angle for EFL Mounting
13	1	Actuator Mounting Strap

* Parts included in replacement kit.



3900 Dr. Greaves Rd.
Kansas City, MO 64030
(816) 761-7476
FAX (816) 765-8955
www.ruskin.com