

ELF40V STATIONARY SIGHTPROOF LOUVER EXTRUDED ALUMINUM

STANDARD CONSTRUCTION

FRAME

4" (102) deep, 6063T5 extruded aluminum with .081" (2.1) nominal wall thickness. Caulking surfaces provided.

BLADES

6063T5 extruded aluminum .081" (2.1) nominal wall thickness. Chevron blades feature 60° surfaces and are spaced approximately 4" (102) center to center.

SCREEN

5/8" x .040" (16 x 1) expanded, flattened aluminum bird screen in removable frame. Screen adds approximately 1/2" (13) to louver depth.

FINISH

Mill.

MINIMUM SIZE

12"w x 12"h (305 x 305).

APPROXIMATE SHIPPING WEIGHT

4 lbs. per sq. ft. (19.5 kg/m²).

MAXIMUM FACTORY ASSEMBLY SIZE

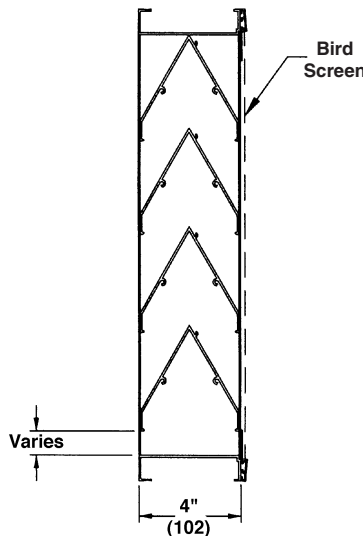
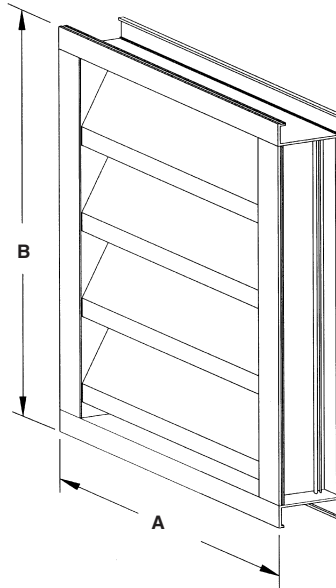
Shall be 75 sq. ft. (7m²) per section, not to exceed 120"w x 90"h (3048 and 2286) or 90"w x 120"h (2286 x 3048).

Louvers larger than the maximum factory assembly size will require field assembly of smaller sections.

SUPPORTS

Louvers may be provided with rear mounted blade supports that increase overall louver depth depending on louver size, assembly configuration or wind-load.

Consult Ruskin for other special requirements.



FEATURES

The ELF40V offers:

- 35% Free Area.
- Sightproof chevron blades provide privacy, conceal equipment, prevent vandalism and act as a safety barrier to dangerous areas.
- Architecturally styled hidden mullions allowing continuous line appearance.
- Aluminum construction for low maintenance and high resistance to corrosion.

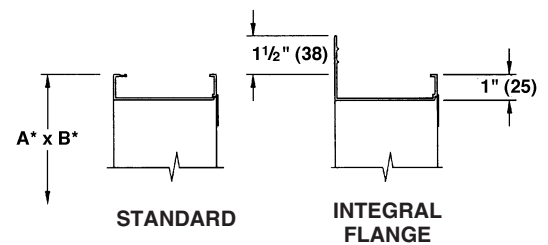
VARIATIONS

Variations to the basic design of the louver are available at additional cost. They include:

- Extended sill.
- Hinged frame.
- Front or rear security bars.
- Filter racks.
- Installation angles.
- A variety of bird and insect screens.
- Selection of finishes: prime coat, baked enamel (modified fluoropolymer), epoxy, Pearledize, Kynar, clear and color anodize. (Some variation in anodize color consistency is possible).

Consult Ruskin for other special requirements.

FRAME CONSTRUCTION

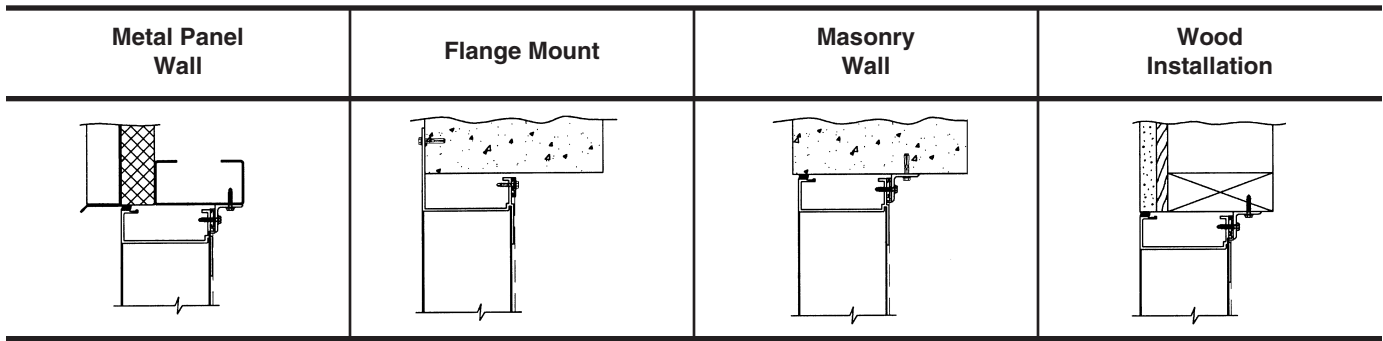


Dimensions in inches, parenthesis () indicate millimeters.

*Units furnished 1/4" (6) smaller than given opening dimensions.

TAG	QTY.	SIZE		FRAME	VARIATIONS
		A*-WIDE	B*-HIGH		
PROJECT ARCH./ENGR. REPRESENTATIVE			LOCATION CONTRACTOR DATE		

TYPICAL INSTALLATION DETAILS



SUGGESTED SPECIFICATION

Furnish and install louvers as hereinafter specified where shown on plans or as described in schedules. Louvers shall be stationary type with downspouts in jambs and mullions. Louvers shall have a minimum of 35% free area based on a 48" wide x 48" high (1219 x 1219) size. Stationary blades shall be contained within a 4" (102) frame. Louver components (heads, jambs, sills, blades & mullions) shall be factory assembled by the louver manufacturer. Louvers shall be architectural style with continuous appearing stationary blades. Louver sizes too large for shipping shall be built up by the contractor from factory assembled louver sections to provide overall sizes required. Louver design shall incorporate structural supports required to withstand a wind load of 20 lbs. per sq. ft. (.96kPa) (equivalent of a 90 mph [145 KPH] wind - specifier may substitute any loading required).

- Louvers shall be Ruskin Model ELF40V extruded 6063T5 aluminum alloy construction as follows:
- Frame: 4" (102) deep, .081" (2.1) wall thickness.
- Blades: .081" (2.1) nominal wall thickness. Chevron blades feature 60° surfaces and are spaced at approximately 4" (102) center to center.
- Screen: 3/4" x .051" (19 x 1.3) expanded, flattened aluminum in removable frame.
- Finish: Select finish specification from Ruskin/Valspar Finishes Brochure.

FREE AREA GUIDE

Free Area Guide shows free area in ft² and m² for various sizes of ELF40V
Width – Inches and Meters

	12		18		24		30		36		42		48		54		60		66		72		78		84		90		96		102		108		114		120						
	0.30	0.46	0.61	0.76	0.91	1.07	1.22	1.37	1.52	1.68	1.83	1.98	2.13	2.29	2.44	2.59	2.74	2.90	3.05																								
12	0.24	0.38	0.52	0.66	0.81	0.95	1.09	1.24	1.38	1.52	1.66	1.81	1.95	2.09	2.24	2.38	2.52	2.66	2.81																								
0.30	0.02	0.04	0.05	0.06	0.08	0.09	0.10	0.11	0.13	0.14	0.15	0.17	0.18	0.19	0.21	0.22	0.23	0.25	0.26																								
18	0.31	0.50	0.69	0.88	1.07	1.26	1.45	1.64	1.82	2.01	2.20	2.39	2.58	2.77	2.96	3.15	3.34	3.53	3.72																								
0.46	0.03	0.05	0.06	0.08	0.10	0.12	0.13	0.15	0.17	0.19	0.20	0.22	0.24	0.26	0.28	0.29	0.31	0.33	0.35																								
24	0.56	0.89	1.23	1.57	1.90	2.24	2.58	2.92	3.25	3.59	3.93	4.27	4.60	4.94	5.28	5.61	5.95	6.29	6.63																								
0.61	0.05	0.08	0.11	0.15	0.18	0.21	0.24	0.27	0.30	0.33	0.37	0.40	0.43	0.46	0.49	0.52	0.55	0.58	0.62																								
30	0.63	1.01	1.40	1.78	2.17	2.55	2.93	3.32	3.70	4.08	4.47	4.85	5.23	5.62	6.00	6.38	6.77	7.15	7.53																								
0.76	0.06	0.09	0.13	0.17	0.20	0.24	0.27	0.31	0.34	0.38	0.42	0.45	0.49	0.52	0.56	0.59	0.63	0.67	0.70																								
36	0.88	1.41	1.94	2.47	3.00	3.53	4.07	4.60	5.13	5.66	6.19	6.72	7.26	7.79	8.32	8.85	9.38	9.91	10.45																								
0.91	0.08	0.13	0.18	0.23	0.28	0.33	0.38	0.43	0.48	0.53	0.58	0.63	0.67	0.72	0.77	0.82	0.87	0.92	0.97																								
42	0.95	1.53	2.11	2.68	3.26	3.84	4.42	5.00	5.57	6.15	6.73	7.31	7.89	8.46	9.04	9.62	10.20	10.78	11.35																								
1.07	0.04	0.06	0.08	0.11	0.13	0.15	0.17	0.20	0.22	0.24	0.26	0.29	0.31	0.33	0.36	0.38	0.40	0.42	0.45																								
48	1.19	1.92	2.65	3.37	4.10	4.83	5.55	6.28	7.00	7.73	8.46	9.18	9.91	10.63	11.36	12.09	12.81	13.54	14.26																								
1.22	0.11	0.18	0.25	0.31	0.38	0.45	0.52	0.58	0.65	0.72	0.79	0.85	0.92	0.99	1.06	1.12	1.19	1.26	1.33																								
54	1.27	2.04	2.82	3.59	4.36	5.13	5.90	6.68	7.45	8.22	8.99	9.77	10.54	11.31	12.08	12.86	13.63	14.40	15.17																								
1.37	0.12	0.19	0.26	0.33	0.41	0.48	0.55	0.62	0.69	0.76	0.84	0.91	0.98	1.05	1.12	1.20	1.27	1.34	1.41																								
60	1.51	2.44	3.36	4.28	5.20	6.12	7.04	7.96	8.88	9.80	10.72	11.64	12.56	13.48	14.40	15.32	16.24	17.16	18.08																								
1.52	0.14	0.23	0.31	0.40	0.48	0.57	0.65	0.74	0.83	0.91	1.00	1.08	1.17	1.25	1.34	1.42	1.51	1.60	1.68																								
66	1.59	2.56	3.52	4.49	5.46	6.42	7.39	8.36	9.32	10.29	11.26	12.22	13.19	14.16	15.12	16.09	17.06	18.02	18.99																								
1.68	0.15	0.24	0.33	0.42	0.51	0.60	0.69	0.78	0.87	0.96	1.05	1.14	1.23	1.32	1.41	1.50	1.59	1.68	1.77																								
72	1.67	2.68	3.69	4.71	5.72	6.73	7.74	8.76	9.77	10.78	11.80	12.81	13.82	14.84	15.85	16.86	17.87	18.89	19.90																								
1.83	0.16	0.25	0.34	0.44	0.53	0.63	0.72	0.81	0.91	1.00	1.10	1.19	1.29	1.38	1.47	1.57	1.66	1.76	1.85																								
78	1.91	3.07	4.23	5.39	6.56	7.72	8.88	10.04	11.20	12.36	13.52	14.68	15.84	17.00	18.17	19.33	20.49	21.65	22.81																								
1.98	0.18	0.29	0.39	0.50	0.61	0.72	0.83	0.93	1.04	1.15	1.26	1.37	1.47	1.58	1.69	1.80	1.91	2.01	2.12																								
84	1.99	3.19	4.40	5.61	6.82	8.02	9.23	10.44	11.65	12.85	14.06	15.27	16.47	17.68	18.89	20.10	21.30	22.51	23.72																								
2.13	0.18	0.30	0.41	0.52	0.63	0.75	0.86	0.97	1.08	1.20	1.31	1.42	1.53	1.64	1.76	1.87	1.98	2.09	2.21																								
90	2.23	3.59	4.94	6.30	7.65	9.01	10.36	11.72	13.07	14.43	15.78	17.14	18.50	19.85	21.21	22.56	23.92	25.27	26.63																								
2.29	0.21	0.33	0.46	0.59	0.71	0.84	0.96	1.09	1.22	1.34	1.47	1.59	1.72	1.85	1.97	2.10	2.22	2.35	2.48																								



3900 Dr. Greaves Rd.
Kansas City, MO 64030
(816) 761-7476
FAX (816) 765-8955
www.ruskin.com