

## ELF6811S STATIONARY LOUVER EXTRUDED ALUMINUM

### STANDARD CONSTRUCTION

#### FRAME

6" (152) deep, 6063T5 extruded aluminum with .125" (3.2) nominal wall thickness. Caulking surfaces provided.

#### BLADES

6063T5 extruded aluminum with .090" (2.3) nominal wall thickness. K-style blades (formerly "stormproof") are positioned at 45° angle and spaced approximately 6" (152) center to center.

#### SCREEN

3/4" x .051" (19 x 1.3) expanded, flattened aluminum bird screen in removable frame. Screen adds approximately 1/2" (13) to louver depth.

#### FINISH

Mill.

#### MINIMUM SIZE

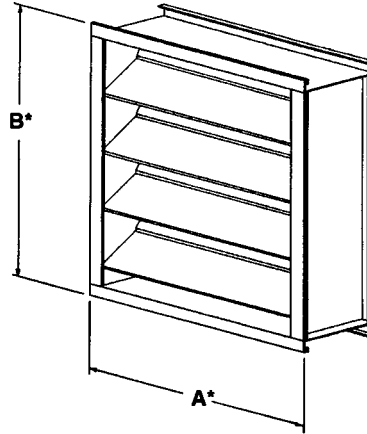
12"w x 12"h (305 x 305).

#### APPROXIMATE SHIPPING WEIGHT

5 lbs. per sq. ft.

#### MAXIMUM FACTORY ASSEMBLY SIZE

Shall be 64 sq. ft. (6m<sup>2</sup>) per section, not to exceed 120" wide and 90" high (3048 and 2286) or 90" wide and 120" high (2286 and 3048). Louvers larger than the maximum factory assembly size will require field assembly of smaller sections.



### FEATURES

The ELF6811S offers:

- Hidden mullions for attractive appearance.
- All aluminum construction for low maintenance and high resistance to corrosion.
- Low pressure drop with high free area.

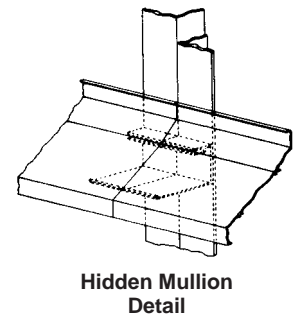
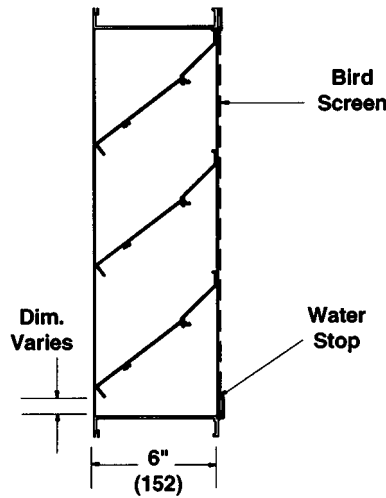
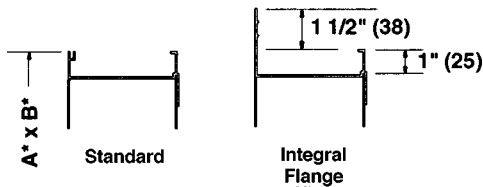
### VARIATIONS

Variations to the basic design of the louver are available at additional cost. They include:

- Extended sill.
- Hinged frame.
- Front or rear security bars.
- Filter racks.
- A variety of bird and insect screens.
- Selection of finishes: baked enamel (modified fluoropolymer), epoxy, Kynar, Acrodize, prime coat, integral color and clear anodize, (Some variation in anodize color consistency is possible.)

Consult Ruskin for other special requirements.

### FRAME CONSTRUCTION



Dimensions in inches, parenthesis ( ) indicate millimeters.

\*Units furnished 1/4" (6) smaller than given opening dimensions.

TAG	QTY.	SIZE		FRAME	VARIATIONS
		A"-WIDE	B"-HIGH		
PROJECT ARCH./ENGR. REPRESENTATIVE			LOCATION CONTRACTOR DATE		

## SUGGESTED SPECIFICATION

Furnish and install louvers as hereinafter specified where shown on plans or as described in schedules. Louvers shall be stationary type entirely contained within a 6" (152) frame. Louver components (heads, jambs, sills, blades & mullions) shall be factory assembled by the louver manufacturer. Louver sizes too large for shipping shall be built up by the contractor from factory assembled louver sections to provide overall sizes required. Louver design shall incorporate structural supports required to withstand a wind load of 20 lbs. per sq. ft. (.96kPa) (equivalent of a 90 mph wind [145 KPH] - specifier may substitute any loading required).

Louvers shall be continuous appearing stationary blades – intermediate support mullions shall not interrupt blade appearance when viewed from outside of louver.

Louvers shall be Ruskin Model ELF6811S extruded 6063T5 aluminum alloy construction as follows:

Frame: .125" (3.2) wall thickness.

Blades: .090 (2.3) wall thickness at 45° angle on approximately 6" (152) centers.

Screen: 3/4" x .051" (19 x 1.3) expanded, flattened aluminum in removable frame.

Finish: Select finish specification from Ruskin Finishes Brochure.

## PERFORMANCE DATA

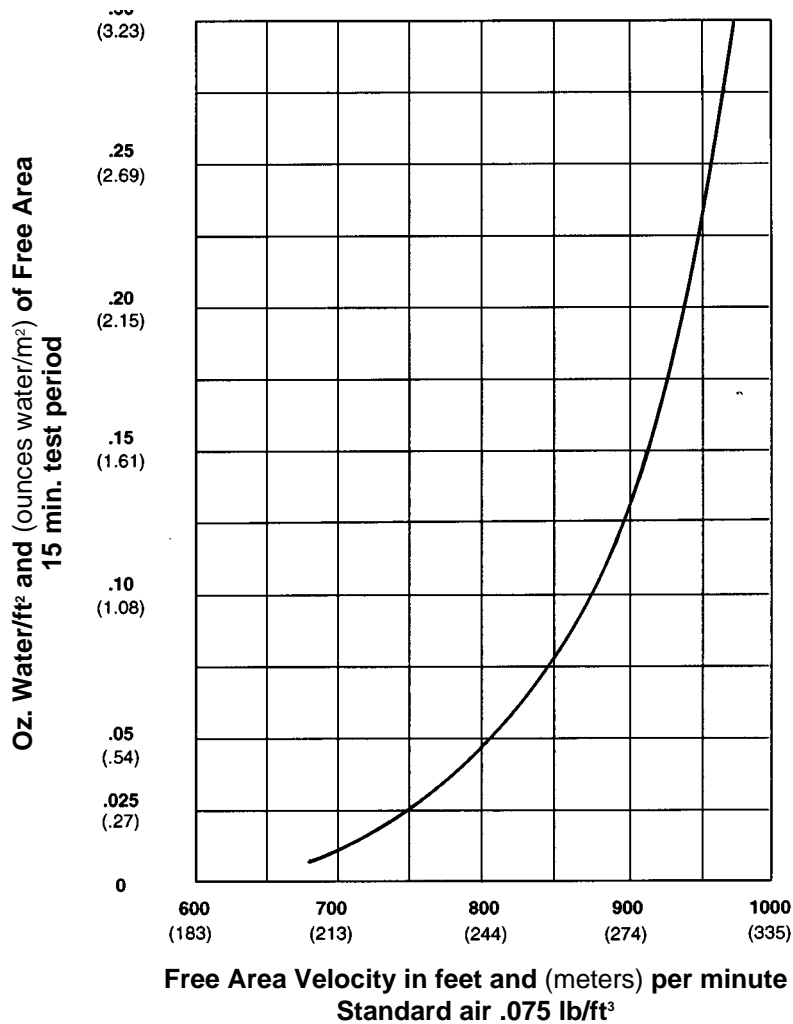
AMCA Standard 500 provides a reasonable basis for testing and rating louvers. Testing to AMCA 500 is performed under a certain set of laboratory conditions. This does not guarantee that other conditions will not occur in the actual environment where louvers must operate.

The louver system should be designed with a reasonable safety factor for louver performance. To ensure protection from water carry-over, design with a performance level somewhat below maximum desired pressure drop and .01 oz. of water penetration.

### WATER PENETRATION

Test size 48" wide x 48" high (1219 x 1219)

Beginning point of water penetration at .01 oz./sq. ft. is 680fpm (207 m/min).



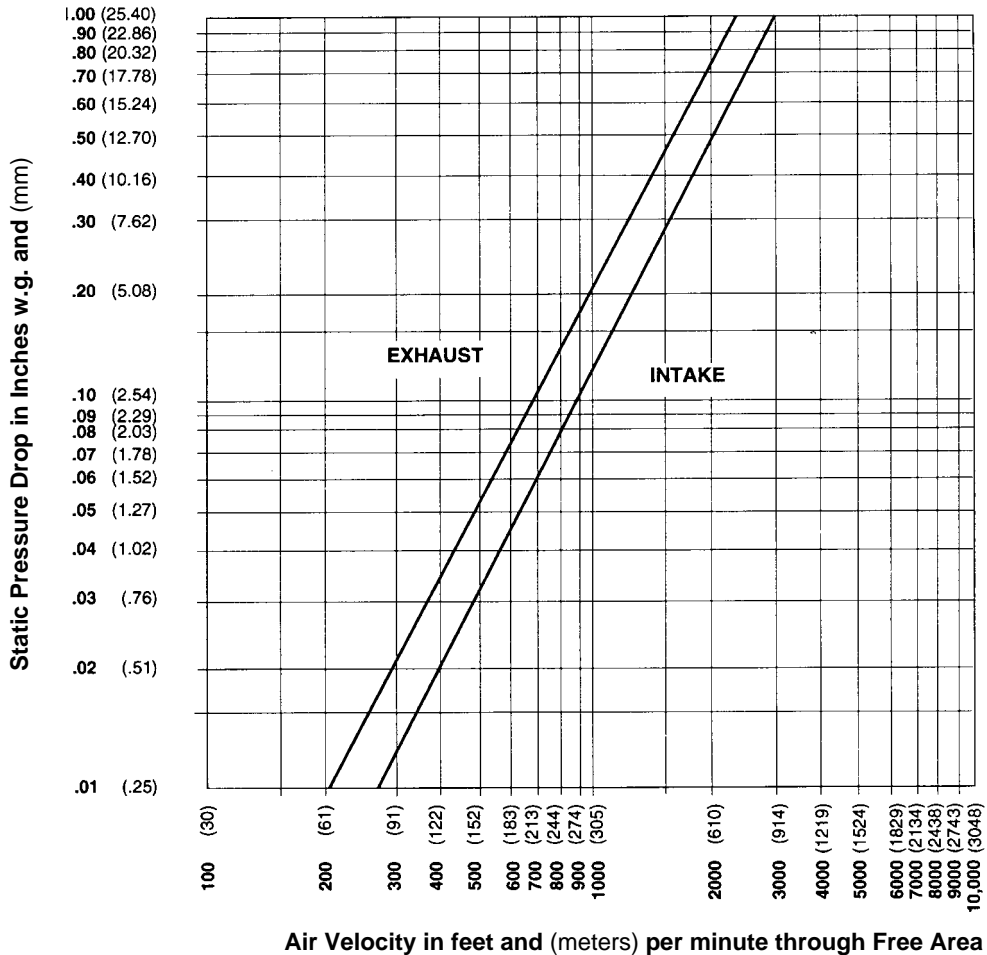
## FREE AREA GUIDE

Free Area Guide shows free area in ft<sup>2</sup> and m<sup>2</sup> for various sizes of ELF6811S.

Width – Inches and Meters

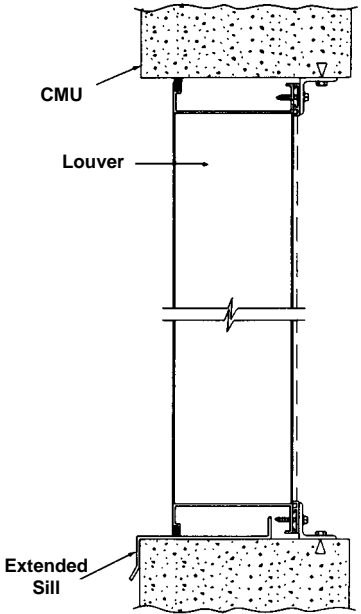
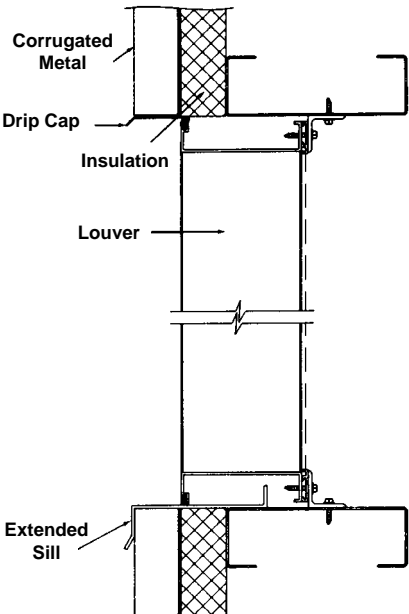
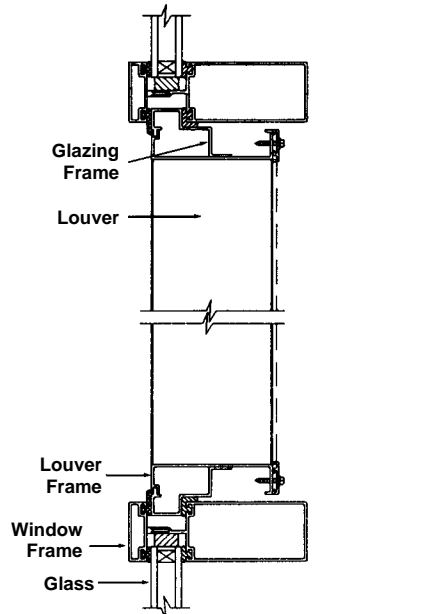
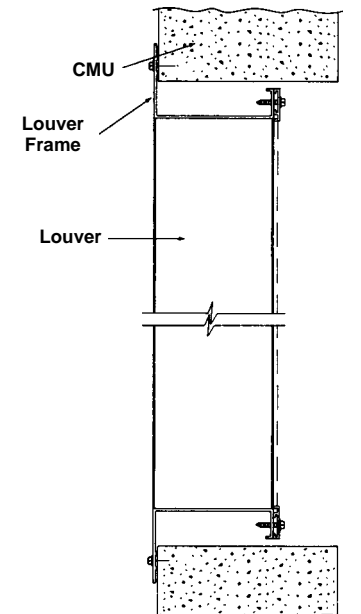
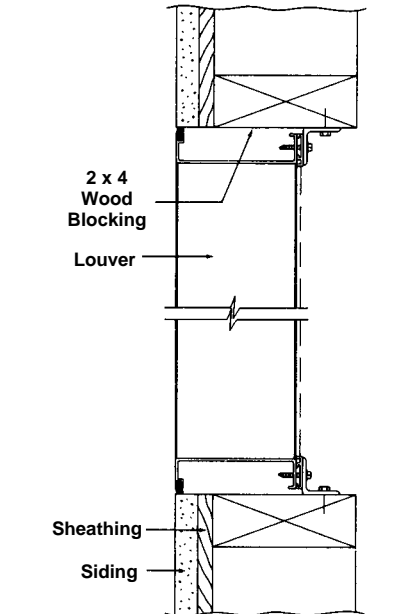
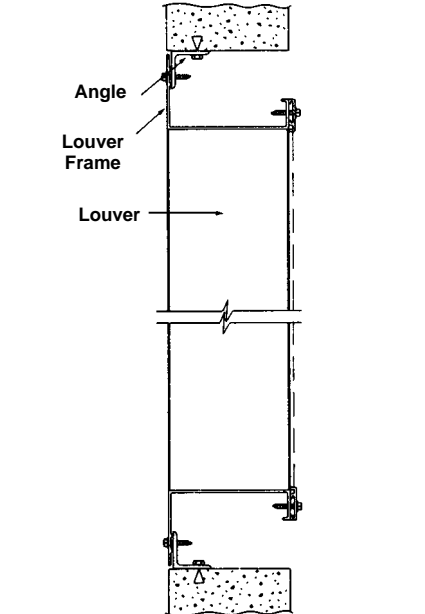
Height – Inches and Meters	12		18		24		30		36		42		48		54		60		66		72		78		84		90		96			
	12	30	18	30	24	30	36	42	48	54	60	66	72	78	84	90	96	12	30	66	72	78	84	90	96	12	30	66	72	78	84	90
.12	.13	.21	.29	.37	.45	.53	.61	.69	.76	.84	.92	1.00	1.08	1.16	1.24	1.32	.30	.01	.02	.03	.03	.04	.05	.06	.06	.07	.08	.08	.09	.10	.11	.12
.18	.39	.63	.86	1.10	1.33	1.57	1.80	2.04	2.27	2.51	2.74	2.98	3.22	3.45	3.69	3.93	.46	.04	.06	.08	1.10	1.33	1.57	1.80	2.04	2.27	2.51	2.74	2.98	3.22	3.45	3.69
.24	.65	1.04	1.44	1.83	2.22	2.61	3.00	3.39	3.78	4.18	4.57	4.96	5.35	5.74	6.13	6.52	.61	.06	.10	.13	.17	.21	.24	.28	.31	.35	.39	.42	.46	.50	.53	.57
.30	.91	1.46	2.01	2.56	3.10	3.65	4.20	4.75	5.29	5.84	6.39	6.94	7.48	8.03	8.58	9.13	.76	.08	.13	.19	.24	.29	.34	.39	.44	.49	.54	.59	.64	.69	.74	.80
.36	1.17	1.88	2.58	3.28	3.99	4.69	5.40	6.10	6.80	7.51	8.21	8.91	9.62	10.32	11.03	11.73	.91	.11	.17	.24	.30	.37	.43	.50	.57	.63	.70	.76	.83	.89	.96	1.02
.42	1.43	2.29	3.15	4.01	4.87	5.73	6.59	7.45	8.31	9.17	10.03	10.89	11.75	12.61	13.47	14.33	1.07	.13	.21	.29	.37	.45	.53	.61	.69	.77	.85	.93	1.01	1.09	1.17	1.25
.48	1.69	2.71	3.73	4.74	5.76	6.77	7.79	8.81	9.82	10.84	11.85	12.87	13.89	14.90	15.92	16.93	1.22	.16	.25	.35	.44	.53	.63	.72	.82	.91	1.01	1.10	1.19	1.29	1.38	1.48
.54	1.95	3.13	4.30	5.47	6.64	7.82	8.99	10.16	11.33	12.50	13.68	14.85	16.02	17.19	18.37	19.54	1.37	.18	.29	.40	.51	.62	.73	.83	.94	1.05	1.16	1.27	1.38	1.49	1.60	1.71
.60	2.21	3.54	4.87	6.20	7.53	8.86	10.18	11.51	12.84	14.17	15.50	16.83	18.16	19.49	20.81	22.14	1.52	.20	.33	.45	.57	.70	.82	.94	1.07	1.19	1.32	1.44	1.56	1.69	1.81	1.93
.66	2.47	3.96	5.44	6.93	8.41	9.90	11.38	12.87	14.35	15.84	17.32	18.80	20.29	21.77	23.26	24.74	1.68	.23	.37	.50	.64	.78	.92	1.06	1.19	1.33	1.47	1.61	1.75	1.88	2.02	2.16
.72	2.73	4.38	6.02	7.66	9.30	10.94	12.58	14.22	15.86	17.50	19.14	20.78	22.42	24.06	25.71	27.35	1.83	.25	.41	.56	.71	.86	1.02	1.17	1.32	1.47	1.62	1.78	1.93	2.08	2.23	2.39
.78	2.99	4.79	6.59	8.39	10.18	11.98	13.78	15.57	17.37	19.17	20.96	22.76	24.56	26.35	28.15	29.94	1.96	.28	.44	.61	.78	.94	1.11	1.28	1.45	1.61	1.78	1.95	2.11	2.28	2.45	2.61
.84	3.26	5.21	7.16	9.11	11.07	13.02	14.97	16.93	18.88	20.83	22.79	24.74	26.69	28.65	30.60	32.56	2.13	.30	.48	.66	.85	1.03	1.21	1.39	1.57	1.75	1.93	2.12	2.30	2.48	2.66	2.84
.90	3.52	5.62	7.73	9.84	11.95	14.06	16.17	18.28	20.39	22.50	24.61	26.72	28.83	30.94	33.04	35.15	2.29	.33	.52	.72	.91	1.11	1.31	1.50	1.70	1.89	2.09	2.29	2.48	2.68	2.87	3.07
.96	3.78	6.04	8.31	10.57	12.84	15.10	17.37	19.63	21.90	24.16	26.43	28.70	30.96	33.23	35.49	37.75	2.44	.35	.56	.77	.98	1.19	1.40	1.61	1.82	2.03	2.24	2.45	2.67	2.88	3.09	3.30

## PRESSURE DROP



Ratings do not include the effect of a bird screen.

# TYPICAL INSTALLATION DETAILS

Masonry Wall	Metal Panel Wall	Glazing Frame
 <p>CMU</p> <p>Louver</p> <p>Extended Sill</p>	 <p>Corrugated Metal</p> <p>Drip Cap</p> <p>Insulation</p> <p>Louver</p> <p>Extended Sill</p>	 <p>Glazing Frame</p> <p>Louver</p> <p>Louver Frame</p> <p>Window Frame</p> <p>Glass</p>
Flange Mount	Wood Installation	Angle Subframe
 <p>CMU</p> <p>Louver Frame</p> <p>Louver</p>	 <p>2 x 4 Wood Blocking</p> <p>Louver</p> <p>Sheathing</p> <p>Siding</p>	 <p>Angle</p> <p>Louver Frame</p> <p>Louver</p>

Accessories at additional cost.

**RUSKIN**®

3900 Dr. Greaves Rd.  
 Kansas City, MO 64030  
 (816) 761-7476  
 FAX (816) 765-8955  
 www.ruskin.com