

ELM6375X ADJUSTABLE LOUVER EXTRUDED ALUMINUM

STANDARD CONSTRUCTION

FRAME

6" (152) deep, 6063T5 extruded aluminum with .081" (2.1) nominal wall thickness. Caulking surfaces provided.

BLADES

6063T5 extruded aluminum. .081" (2.1) nominal wall thickness are adjustable to 37 1/2° angle. Blade spacing is approximately 6" (152) center to center.

SCREEN

3/4" x .051" (19 x 1.3) expanded, flattened aluminum bird screen in removable frame. Screen adds approximately 1/2" (13) to louver depth.

SEALS

Flexible, compressible aluminum jamb seals.

BEARINGS

Stainless steel sleeve pressed into frame.

AXLES

1/2" (13) plated steel hex.

FINISH

Mill.

LINKAGE

Concealed in frame.

ACTUATOR

Locking louver quadrant.

MINIMUM SIZE

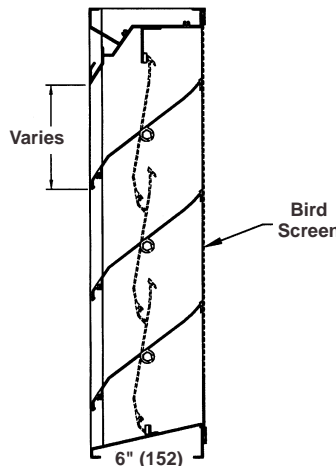
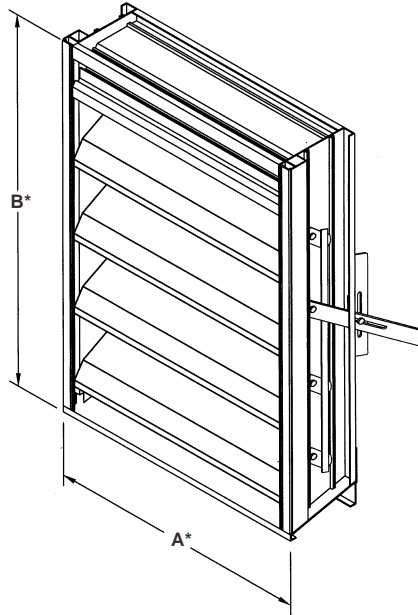
12"w x 12"h (305 x 305).

APPROXIMATE SHIPPING WEIGHT

3.5 lbs. per sq. ft.

MAXIMUM FACTORY ASSEMBLY SIZE

Shall be 60"w x 96"h (1524 x 2438). Louvers with optional blade and jamb seals shall be 48" x 96" (1219 x 2438). Louvers larger than the maximum factory assembly size will require field assembly of smaller sections.



FEATURES

The ELM6375X offers:

- Published performance ratings based on testing in accordance with AMCA Publication 511.
- Low torque operation and architecturally pleasing appearance with low leakage performance.
- Drain gutter in the head frame; downspouts in jambs and mullions to drain water from louver for minimum water cascade from blade to blade.
- Concealed blade linkage is protected from weather exposure and reduces required installation depth.
- Jamb seals provide tight blade-to-frame closure.

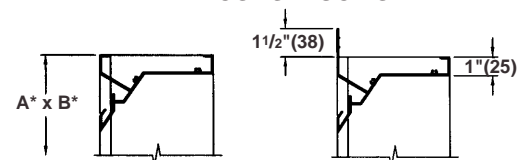
VARIATIONS

Variations to the basic design of this louver are available at additional cost. They include:

- Extended sill.
- Front or rear security bars.
- Filter racks.
- A variety of bird and insect screens.
- Selection of finishes: prime coat, baked enamel (modified fluoropolymer), epoxy, Acrodize, Kynar, clear and color anodize. (Some variation in anodize color consistency is possible.)
- Blade edge and jamb seals.
- Manual, electric or pneumatic actuators.

Consult Ruskin for other special requirements.

FRAME CONSTRUCTION



STANDARD

INTEGRAL FLANGE

*Units furnished 1/4" (6) smaller than given opening dimensions.

Dimensions in inches, parenthesis () indicate millimeters.

TAG	QTY.	SIZE		FRAME	VARIATIONS
		A*-WIDE	B*-HIGH		

PROJECT
ARCH./ENGR.
REPRESENTATIVE

LOCATION
CONTRACTOR
DATE

PERFORMANCE DATA

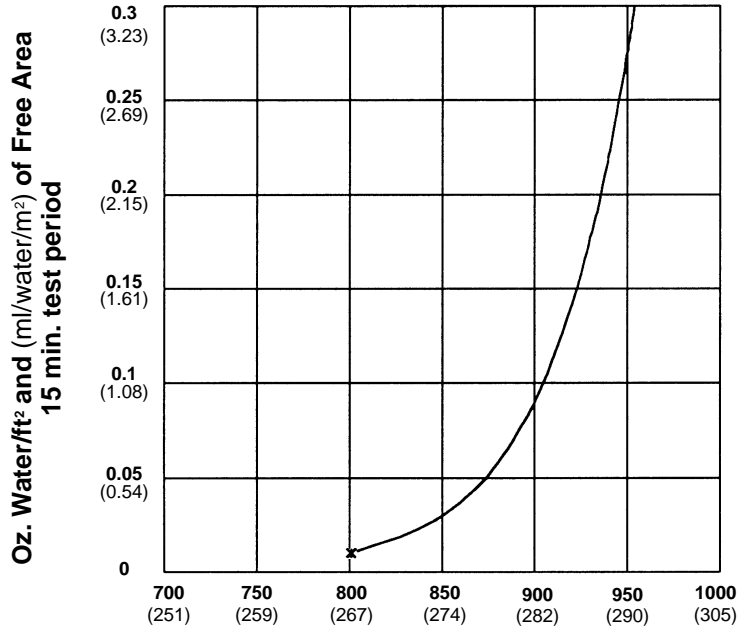
AMCA Standard 500 provides a reasonable basis for testing and rating louvers. Testing to AMCA 500 is performed under a certain set of laboratory conditions. This does not guarantee that other conditions will not occur in the actual environment where louvers must operate.

The louver system should be designed with a reasonable safety factor for louver performance. To ensure protection from water carry-over, design with a performance level somewhat below maximum desired pressure drop and .01 oz./sq. ft. of water penetration.

WATER PENETRATION

Test size 48" wide x 48" high (1219 x 1219)

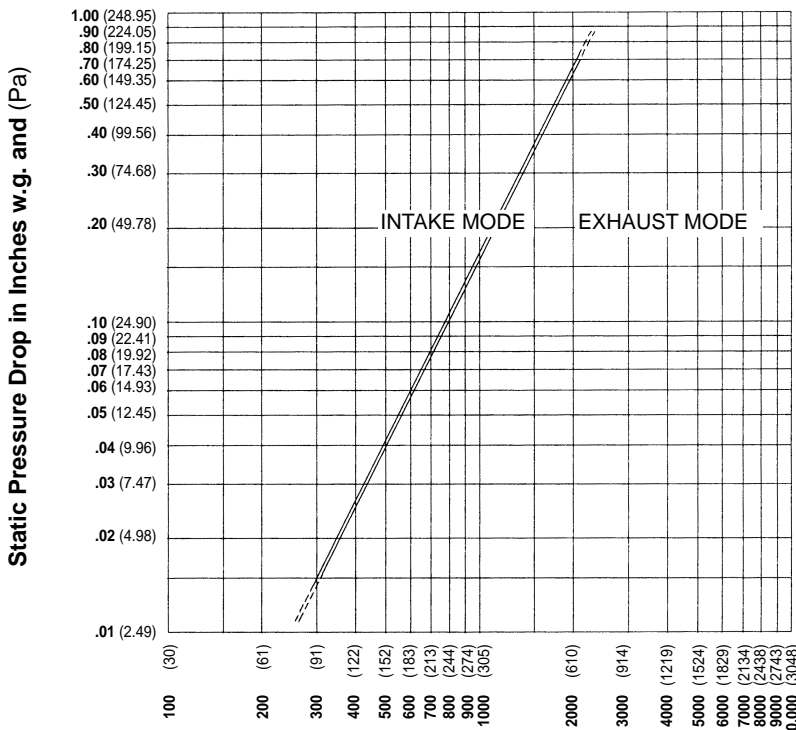
Beginning point of water penetration at .01 oz./sq. ft. is 801 fpm (244 m/min).



Ruskin Manufacturing Company certifies that the ELM6375X Louvers shown herein are licensed to bear the AMCA Seal. The ratings shown are based on tests and procedures performed in accordance with AMCA Publication 511 and comply with the requirements of the AMCA Certified Ratings Program. The AMCA Certified Ratings Seal applies to air performance ratings and water penetration ratings only.

Free Area Velocity in feet and (meters) per minute
Standard air .075 lb/ft³

PRESSURE DROP



Ratings do not include the effect of a bird screen.

Louver tested for water penetration and pressure drop with jamb seals.

Air Velocity in feet and (meters) per minute through Free Area

FREE AREA GUIDE

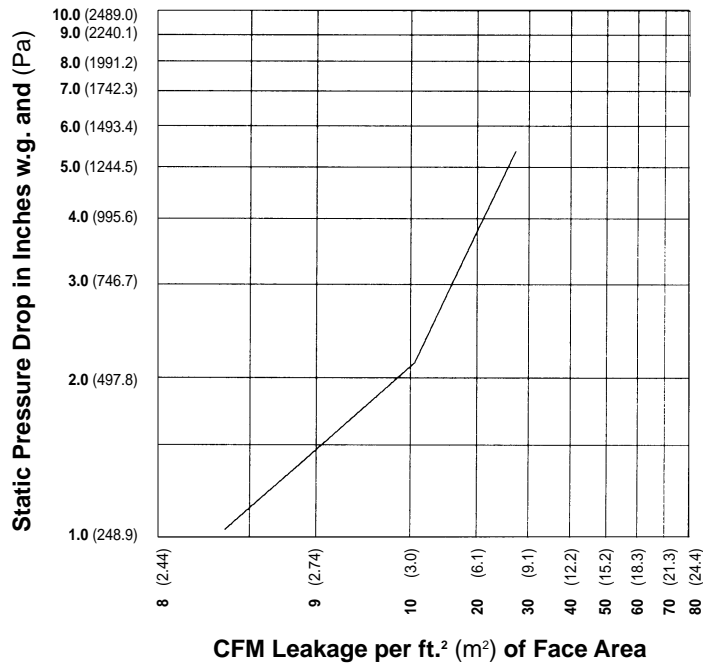
Free Area Guide shows free area in ft² and m² for various sizes of ELM6375X.

Width – Inches and Meters

	12	18	24	30	36	42	48	54	60
	0.30	0.46	0.61	0.76	0.91	1.07	1.22	1.37	1.52
12	0.31	0.50	0.68	0.87	1.06	1.24	1.43	1.55	1.74
	0.03	0.05	0.06	0.08	0.10	0.12	0.13	0.14	0.16
18	0.57	0.92	1.26	1.61	1.95	2.30	2.64	2.87	3.22
	0.46	0.05	0.09	0.12	0.15	0.18	0.21	0.25	0.27
24	0.84	1.34	1.84	2.35	2.85	3.35	3.86	4.19	4.69
	0.61	0.08	0.12	0.17	0.22	0.26	0.31	0.36	0.39
30	1.10	1.76	2.43	3.09	3.75	4.41	5.07	5.51	6.17
	0.76	0.10	0.16	0.23	0.29	0.35	0.41	0.47	0.51
36	1.37	2.19	3.01	3.83	4.65	5.47	6.29	6.83	7.65
	0.91	0.13	0.20	0.28	0.36	0.43	0.51	0.58	0.63
42	1.63	2.61	3.59	4.57	5.54	6.52	7.50	8.15	9.13
	1.07	0.15	0.24	0.33	0.42	0.51	0.61	0.70	0.76
48	1.89	3.03	4.17	5.30	6.44	7.58	8.71	9.47	10.61
	1.22	0.18	0.28	0.39	0.49	0.60	0.70	0.81	0.88
54	2.16	3.45	4.75	6.04	7.34	8.63	9.93	10.79	12.09
	1.37	0.20	0.32	0.44	0.56	0.68	0.80	0.92	1.00
60	2.42	3.88	5.33	6.78	8.24	9.69	11.14	12.11	13.57
	1.52	0.22	0.36	0.50	0.63	0.77	0.90	1.04	1.13
66	2.69	4.30	5.91	7.52	9.13	10.75	12.36	13.43	15.04
	1.68	0.25	0.40	0.55	0.70	0.85	1.00	1.15	1.25
72	2.95	4.72	6.49	8.26	10.03	11.80	13.57	14.75	16.52
	1.83	0.27	0.44	0.60	0.77	0.93	1.10	1.26	1.37
78	3.21	5.14	7.07	9.00	10.93	12.86	14.79	16.07	18.00
	1.98	0.30	0.48	0.66	0.84	1.02	1.20	1.37	1.49
84	3.48	5.57	7.65	9.74	11.83	13.91	16.00	17.39	19.48
	2.13	0.32	0.52	0.71	0.91	1.10	1.29	1.49	1.62
90	3.74	5.99	8.23	10.48	12.73	14.97	17.22	18.71	20.96
	2.29	0.35	0.56	0.76	0.97	1.18	1.39	1.60	1.74
96	4.01	6.41	8.81	11.22	13.62	16.03	18.43	20.03	22.44
	2.44	0.37	0.60	0.82	1.04	1.27	1.49	1.71	1.86

Height – Inches and Meters

AIR LEAKAGE WITH BLADES CLOSED

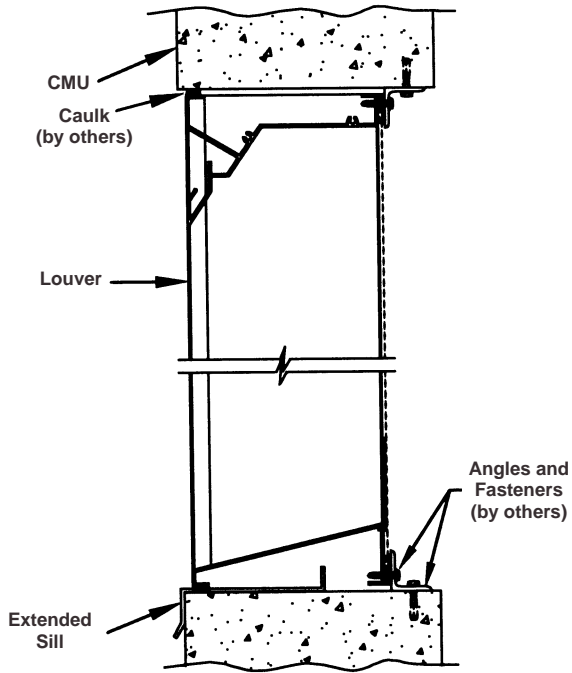


Leakage at 1" w.g. (248.9) static pressure drop is 8.3 CFM per ft.² and (m²)

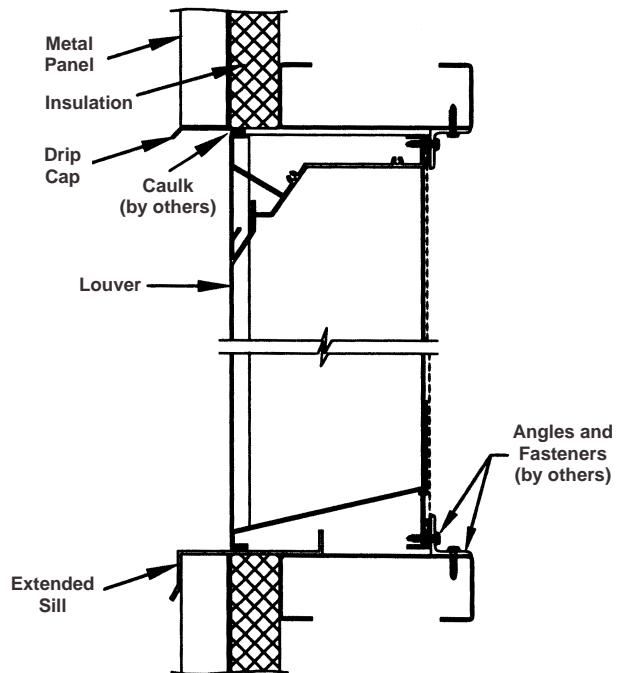
Louver tested for air leakage with jamb seals and optional blade seals.

TYPICAL INSTALLATION DETAILS

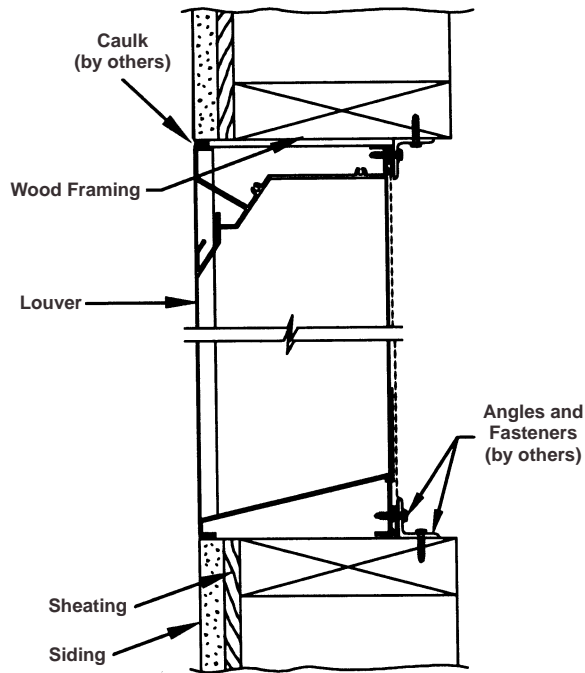
Masonry Wall



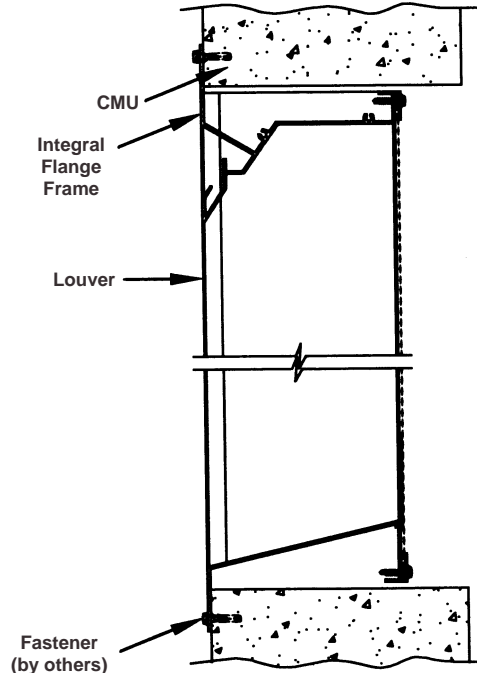
Metal Panel Wall



Wood Installation



Flange Mount



Accessories at additional cost.