

MODEL ZRC020 HAND-HELD REMOTE DAMPER CONTROL FOR USE WITH MODEL ZPD15 AND ZPD25 ELECTRONIC ZONE PULSE DAMPERS

APPLICATION

Ruskin model ZRC020 is a hand-held remote control that provides a pulse signal to Ruskin electronic zone pulse dampers. The remote control device may be plugged into the optional diffuser cable or RJ11 wall box connector. This portable controller provides necessary power to adjust damper position while commissioning the building. The ZRC020's RJ11 connectivity provides a portable solution to the contractor. Only one controller is required at each job site since it is possible to easily move from one damper location to the next.

CONTROLLER SPECIFICATIONS

CONTROLLER ENCLOSURE

3 1/4" (82) wide x 3 3/8" (86) tall x 2" (51) deep ABS Plastic.

POWER REQUIREMENT

9 volt battery (by others)

SWITCH

DPDT-CO (Open - Off - Closed).

CABLE

6' (1829) long RJ11 cable with male connector.

AGENCY LISTINGS

Electrical components are U.L. Listed and RoHS compliant.

OPERATING RANGE

32°F to 131°F (0°C TO 55°C)

ACTUATOR COMPATIBILITY

Ruskin 12 VDC powered only.

DAMPER COMPATIBILITY

Ruskin Model ZPD15 and ZPD25 only.



HOW IT WORKS

The ZRC020 may be plugged directly into the RJ11 actuator coupler to power and position the damper. However, most applications will be remote and will require use of optional diffuser or wall box connectors.

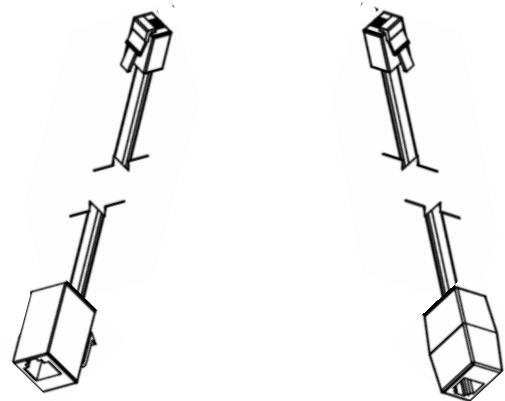
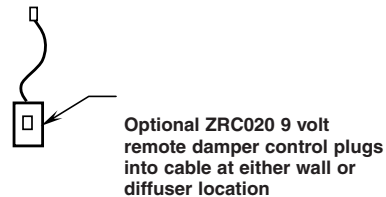
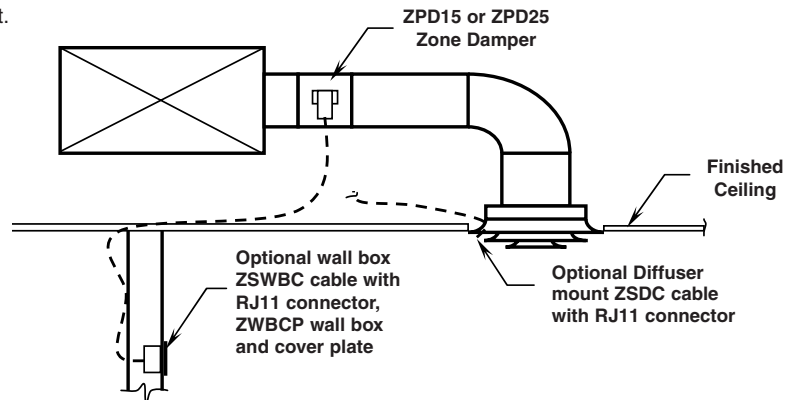
DIFFUSER APPLICATIONS

When a diffuser cable is ordered, one end of the cable is plugged into the RJ11 actuator coupler and the other end has an RJ11 in-line coupler. The coupler is pulled through the duct and terminates inside the diffuser. The ZRC020 cable is plugged into the in-line connector when it becomes necessary to position the damper during the commissioning of the building. A flow hood is placed over the diffuser to determine the flow. The toggle switch is pressed to adjust the blade position. When the proper flow has been established, the ZRC020 cable is disconnected and moved to the next location.

WALL BOX APPLICATIONS

When a wall box is ordered, one or more damper cables may be routed to the same box. Each wall plate port is labeled at the job site with the damper location. In this application, a flow hood is placed on the diffuser in the space. The ZRC020 is plugged into the RJ11 keystone connector in the wall box. The damper is positioned to meet the proper flow. The ZRC020 is moved to the next location and the process is repeated until commissioning is complete.

NOTE: Dimensions in parenthesis () indicate millimeters.



RUSKIN[®]

3900 Dr. Greaves Rd.
Kansas City, MO 64030
(816) 761-7476
FAX (816) 765-8955
www.ruskin.com