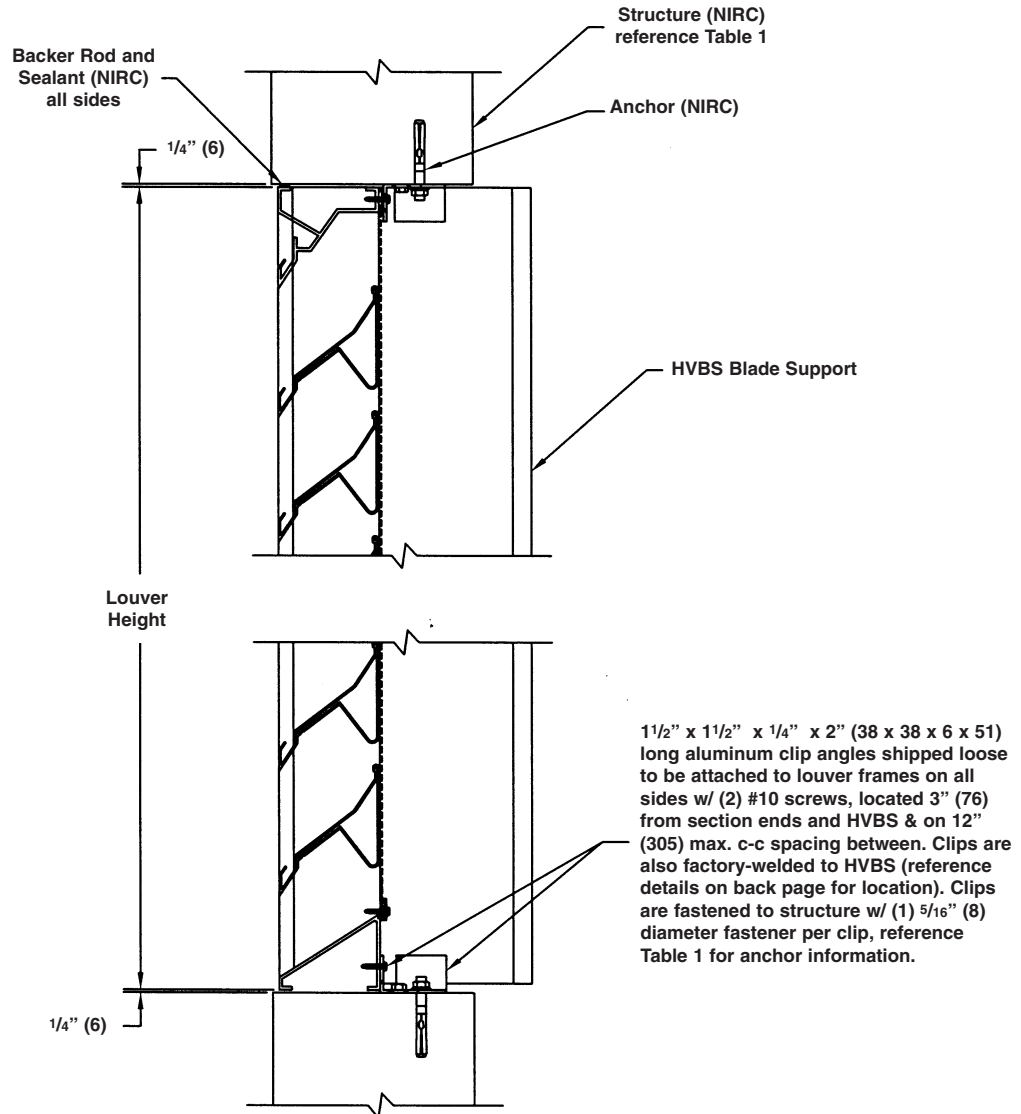


INSTALLATION DETAILS  
**ELF375DXD LOUVER**  
MIAMI-DADE COUNTY & FLORIDA PRODUCT APPROVED



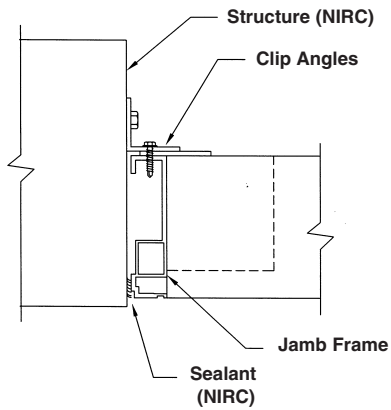
Dimensions in inches, parenthesis ( ) indicate millimeters.

## ELF375DXD LOUVER INSTALLATION DETAIL

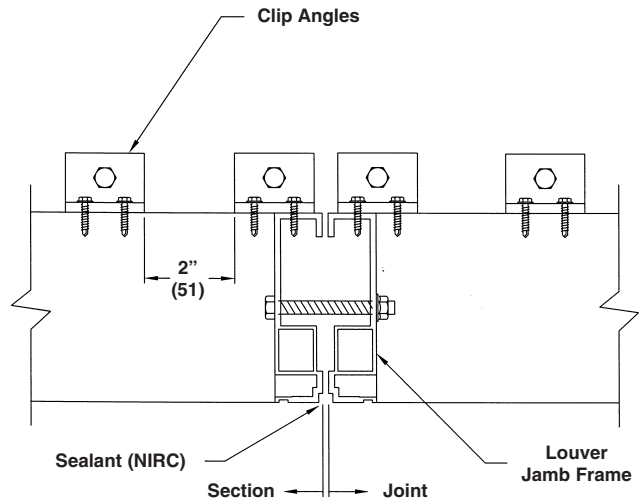
Refer to back page for Table 1 and other details

### NOTES:

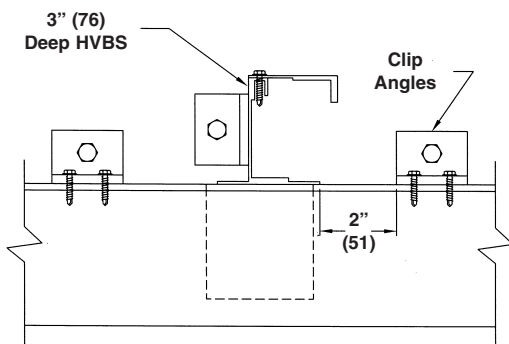
1. The installation shown herein must be followed strictly to ensure compliance with Miami-Dade and Florida Approvals.
2. Aluminum clip angles and #10 screws shown above are provided by Ruskin. Anchors for connection to structure are not provided by Ruskin.
3. One anchor into the substrate is required at every clip angle. Reference Table 1 for anchor information.
4. Ruskin is not responsible for determining the suitability of the structure, or for gaining approval for non-compliant installations.
5. Shims may be required to achieve consistent clearance between louver and opening on all sides. Shims are not provided by Ruskin.
6. Backer rod and sealant are not provided by Ruskin.
7. HVBS = Hidden Vertical Blade Support.
8. NIRC = Not in Ruskin's Contract.



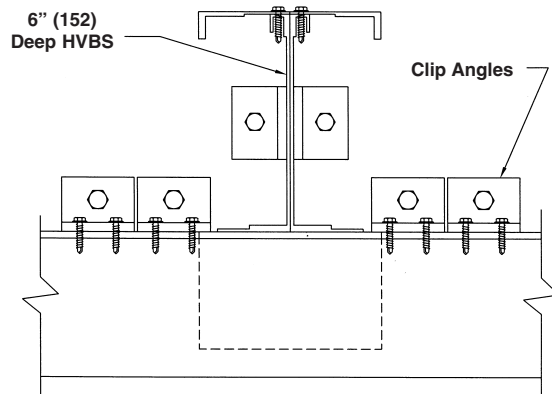
**CONNECTION AT JAMB**  
Plan View, All Heights



**CLIP ANGLE LOCATION AT SECTION JOINT**  
Plan View, 60" (1524) Tall & Under



**CLIP ANGLE LOCATION AT 3" (76) HVBS**  
Plan View, 60" (1524) Tall & Under



**CLIP ANGLE LOCATION AT 6" (152) HVBS**  
Plan View, Over 60" (1524) Tall

STRUCTURE	ANCHOR (By Others)	INSTRUCTIONS
Wood	5/16" (8) Dia. Lag Bolt	3" (76) embed, 4 1/2" (115) min. edge
Concrete 3000 Min. PSI	5/16" (8) Dia. Tapcon (ITW or equal)	2 1/2" (64) embed, 5" (127) min. edge
Concrete 2000 Min. PSI	5/16" (8) Dia. Expansion Anchor (Hilti or equal)	1 3/4" (44) embed, 4" (102) min. edge
Grout Filled Block	5/16" (8) Dia. Tapcon (ITW or equal)	1 3/4" (44) embed, 4" (102) min. edge
Steel Framing (12 Ga. Min.)	5/16" (8) Dia. A307 Bolt or Self-Tapping Screw	1.5 x fastener dia. min. edge

**NOTES:**

1. All fasteners must be installed per the manufacturer's Miami-Dade/Florida approved installation instructions.
2. Dimensions in inches, parenthesis ( ) indicate millimeters.