

STANDARD ACCESS DOORS

APPLICATION

Ruskin access doors offer quick, easy and economical installation wherever duct access is needed. Manual locks assure tight door closure and the continuous piano-type hinge models give smooth operation. The ADCW and ADHW models feature a "see through" panel that permits visual duct inspection without door removal.

STANDARD CONSTRUCTION

FRAME

22 gage (.8) galvanized steel with seal.

DOOR

24 gage (.7) galvanized steel.

ADC14 – Removable, single skin.

ADH14 – Hinged, single skin.

ADC24 – Removable, double skin.

ADH24 – Hinged, double skin.

ADCW24 – Removable, double skin with round transparent plexiglass window.

ADHW24 – Hinged, double skin with round transparent plexiglass window.

HINGE (ADH Models Only)

Continuous piano type.

LOCKS

ADH Models – Doors 16" (406) and under have one lock, doors over 16" (406) have two locks.

ADC Models – Doors 16" (406) and under have two locks, doors over 16" (406) have four locks.

MAXIMUM STATIC PRESSURE

Double skin access doors have been tested to 6" w.g. Leakage increases as system pressure increases. Refer to chart on page 2.

SEALS

Foam gasket.

INSULATION

1" (25) fiberglass.

MINIMUM SIZE

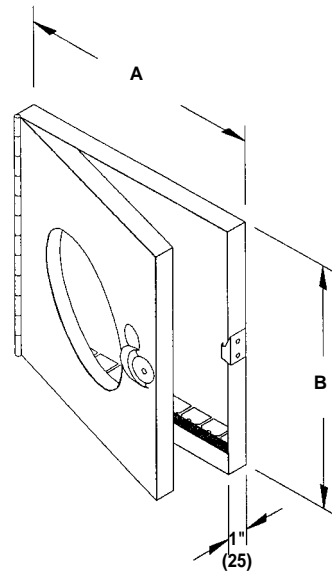
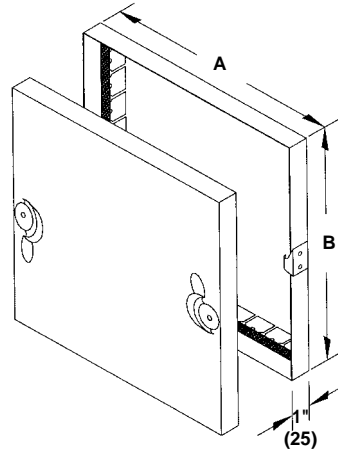
6"w x 6"h (152 x 152).

MAXIMUM SIZE

24"w x 24"h (610 x 610).

INSTALLATION

Cut hole 1 $\frac{1}{8}$ " (28) smaller than door size.



VARIATIONS

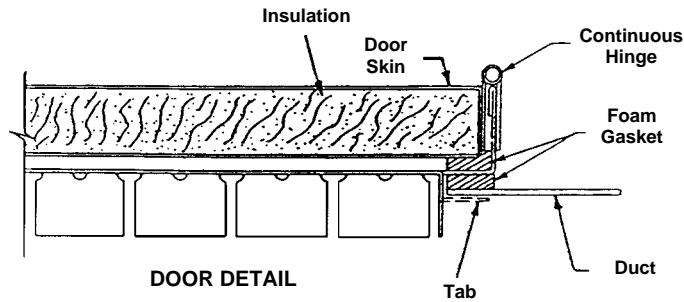
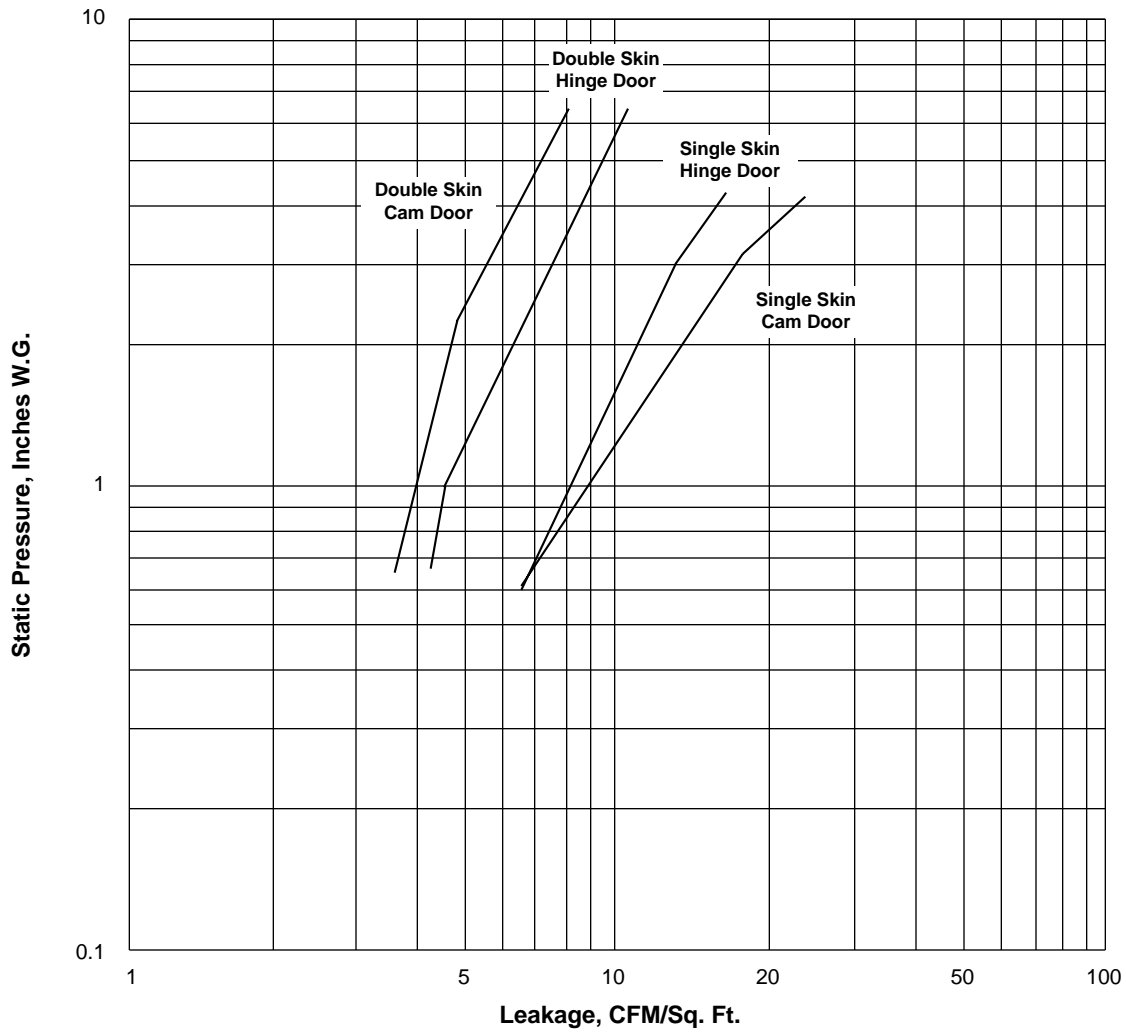
- Additional cam locks
- Wire reinforced glass window
- 20 gage (.9) door panels
- Ventlock 100 latches
- Stainless steel construction
- Bronze hinge pins
- Brass cams
- Security chain
- Intermediate sizes between 6" x 6" (152 x 152) and 24" x 24" (610 x 610)

NOTES

1. Dimensions shown in parenthesis () indicate millimeters.
2. Access doors furnished actual size.
3. For doors larger than 24" x 24" (610 x 610) see GPAD.

PERFORMANCE DATA

12" x 12" ACCESS DOOR



RUSKIN®

3900 Dr. Greaves Rd.
 Kansas City, MO 64030
 (816) 761-7476
 FAX (816) 765-8955
 www.ruskin.com