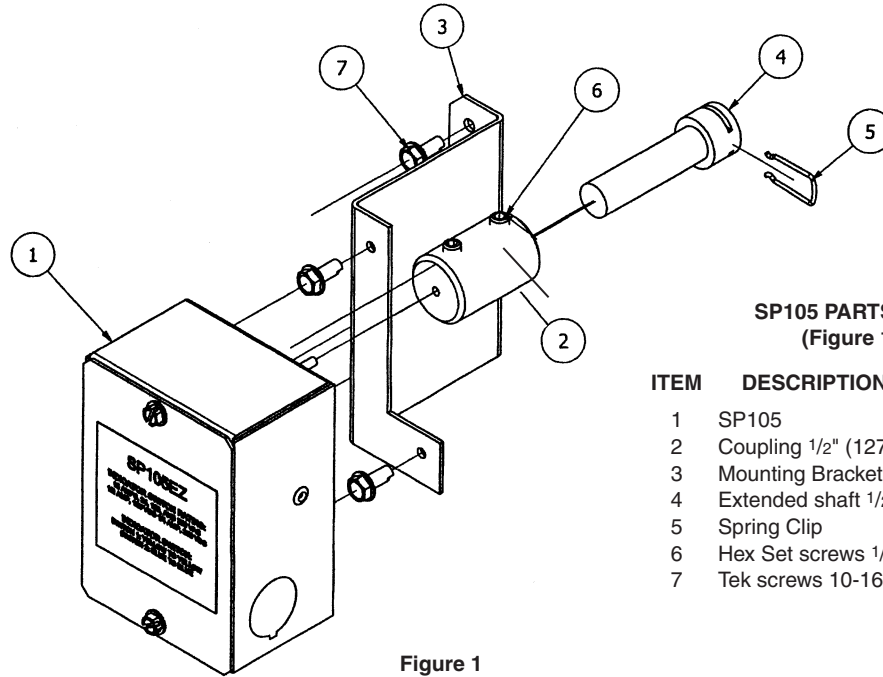


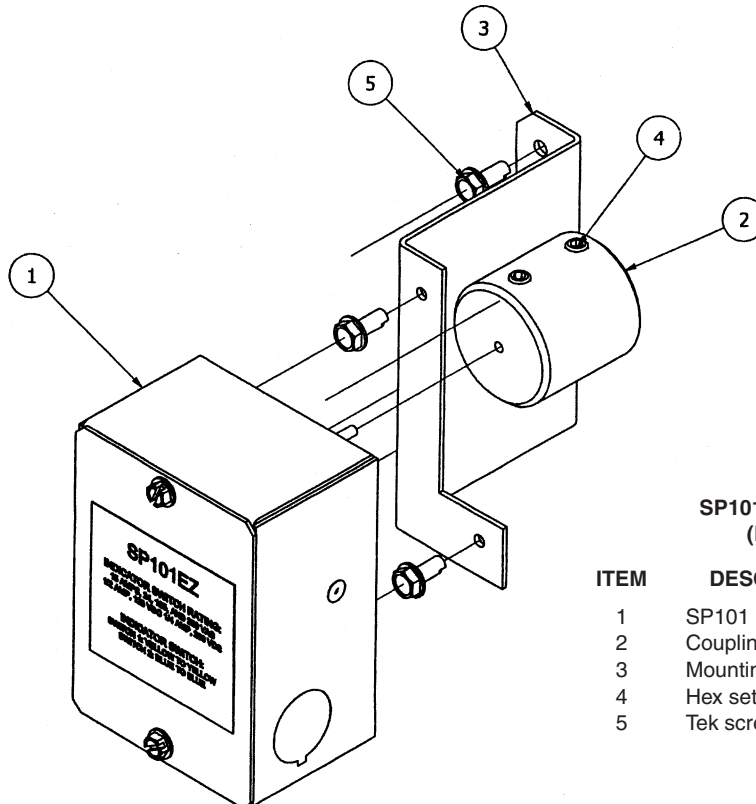
## SP101 AND 105 SWITCH PACKAGES INSTALLATION INSTRUCTIONS SUPPLEMENT COMMERCIAL CONTROL DAMPERS



**SP105 PARTS LIST  
(Figure 1)**

ITEM	DESCRIPTION	QTY.
1	SP105	1
2	Coupling 1/2" (127) Dia.	1
3	Mounting Bracket	1
4	Extended shaft 1/2" (127) Dia.	1
5	Spring Clip	1
6	Hex Set screws 1/4-20 x 3/8	2
7	Tek screws 10-16 x 1/2" LG	4

Figure 1



**SP101 PARTS LIST  
(Figure 2)**

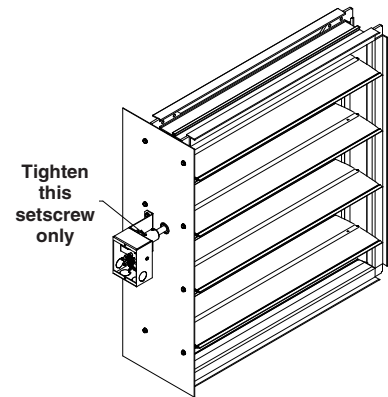
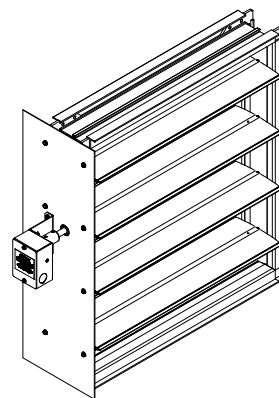
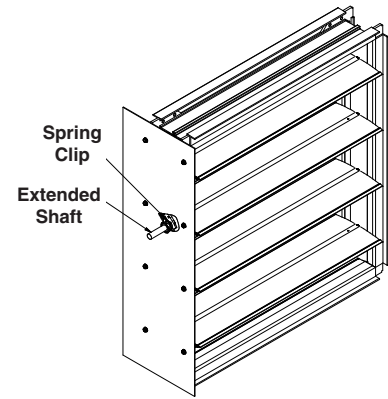
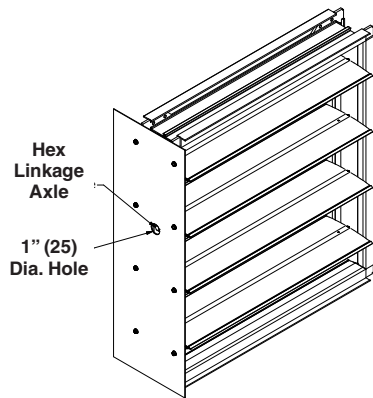
ITEM	DESCRIPTION	QTY.
1	SP101	1
2	Coupling 1" (25) dia.	1
3	Mounting Bracket	1
4	Hex set screws 1/4-20 x 3/8	2
5	Tek screws 10-16 x 1/2" LG	4

Figure 2

# SP101/105 INSTALLATION INSTRUCTIONS

## INSTALLATION

1. Verify that all parts have been supplied in the field mounting kit. Reference assembly drawing for part description
2. Remove cover from switch device. Attach mounting bracket as shown with (2) #10 x 1/2" (13) lg. tek screws
3. Drill 1" (25) diameter hole in side plate. Hole should be centered in damper frame and in line with damper axle on linkage side of damper
4. Install spring clip onto extended shaft. Drive extended shaft onto damper axle making sure that spring clip secures shaft to axle (See below for Jack-shaft install)
5. Install coupling onto extended shaft. Leave set screws loose
6. Slip limit switch assembly with mounting bracket onto coupling. Secure mounting bracket to side plate with (2) #10 x 1/2" (13) lg. tek screws and tighten set screw onto limit switch assembly. Leave set screw on extended shaft loose
7. With the damper in either the fully open or fully closed position, rotate coupling so that the bent trip wire inside the switch makes contact with the switch for corresponding position. Make sure the correct switch is making contact, damage could result in over stroking the switch device. Open and close damper. Check each switch with a Ohm meter to make certain contact is made in both the closed and open positions. Rotate coupling as necessary to make adjustments
8. Wire switch device following local electrical code and install cover

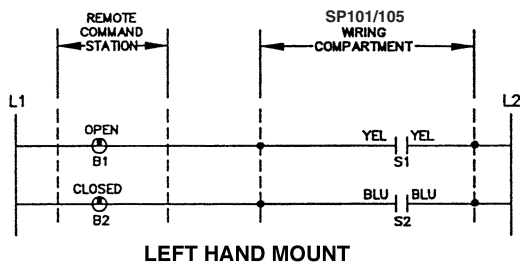


### Supplementary notes for jackshaft installation.

1. If device is being installed on a jackshafted unit, extended shaft and spring clip will not be supplied
2. Jackshaft will need to extend a maximum of 13/4" (44) beyond side plate
3. Drill hole in side plate 1/8" (3) larger than jackshaft diameter

Dimensions in parenthesis ( ) indicate millimeters.

## SP101/105 WIRING

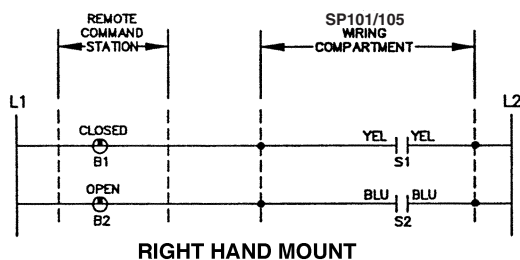


S<sub>1</sub> – Damper position indicator switch. Closed when damper is closed.

S<sub>2</sub> – Damper position indicator switch. Closed when damper is open.

B<sub>1</sub> – Remote position indicator lamp.

B<sub>2</sub> – Remote position indicator lamp.



S<sub>1</sub> – Damper position indicator switch. Closed when damper is open.

S<sub>2</sub> – Damper position indicator switch. Closed when damper is closed.

B<sub>1</sub> – Remote position indicator lamp.

B<sub>2</sub> – Remote position indicator lamp.

# RUSKIN®

3900 Dr. Greaves Rd.  
Kansas City, MO 64030  
(816) 761-7476  
FAX (816) 765-8955  
www.ruskin.com

Printed on recycled paper  
using vegetable based inks

