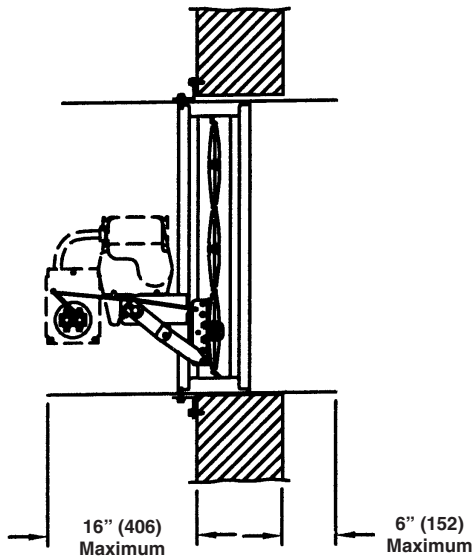


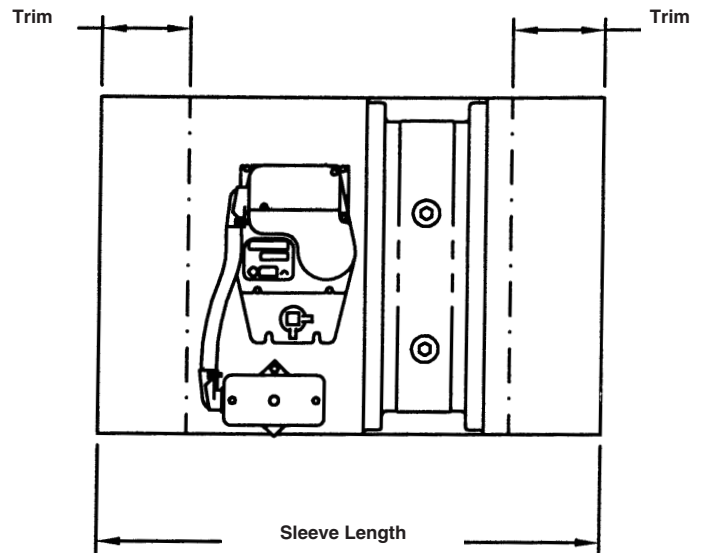
## TRIMMING OF FIRE AND COMBINATION FIRE SMOKE DAMPER SLEEVES INSTALLATION INSTRUCTIONS SUPPLEMENT

Factory supplied sleeves may need to be trimmed in the field to accommodate field conditions. Other damper components such as actuators and fuse links should not be altered.

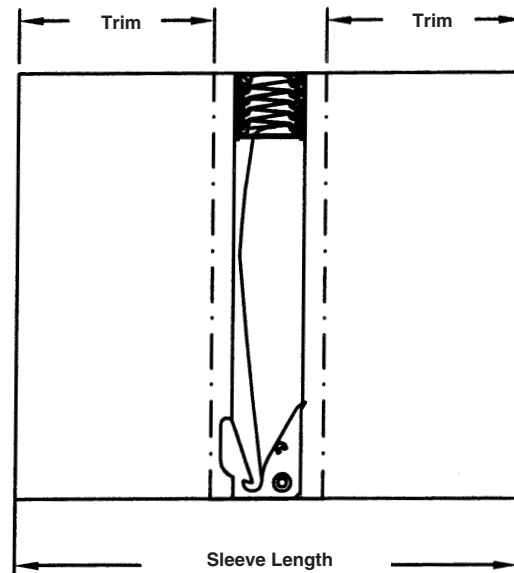


### Sleeve Dimensions

1. The damper sleeve should not extend more than 6" (152) beyond the rated barrier on the non-actuator or access door side.
2. The damper sleeve should not extend more than 16" (406) beyond the rated barrier on the actuator or access door side.



COMBINATION FIRE SMOKE DAMPER



FIRE DAMPER

**RUSKIN<sup>®</sup>**

3900 Dr. Greaves Rd.  
Kansas City, MO 64030  
(816) 761-7476  
FAX (816) 765-8955  
[www.ruskin.com](http://www.ruskin.com)

Printed on recycled paper  
using vegetable based inks 