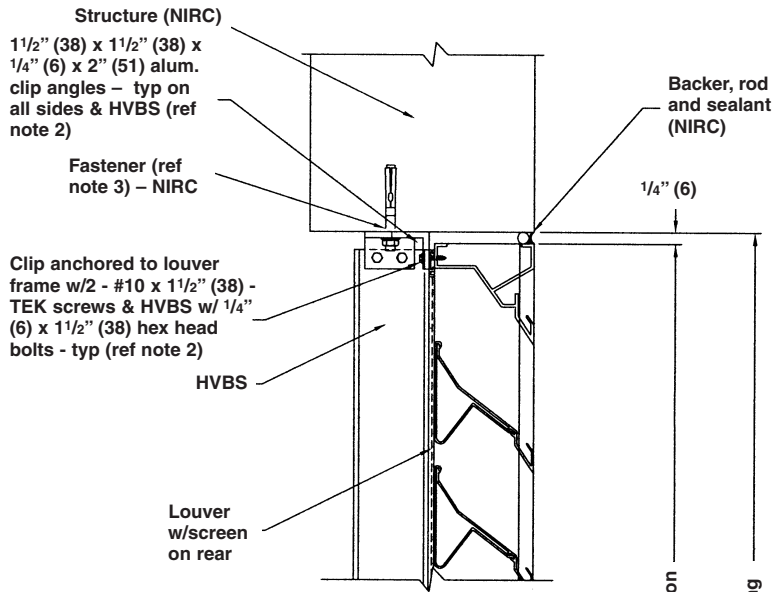


INSTALLATION DETAILS
ELF375DFL LOUVER
UL LISTED & FLORIDA PRODUCT APPROVED



CLIP ANGLE LOCATIONS

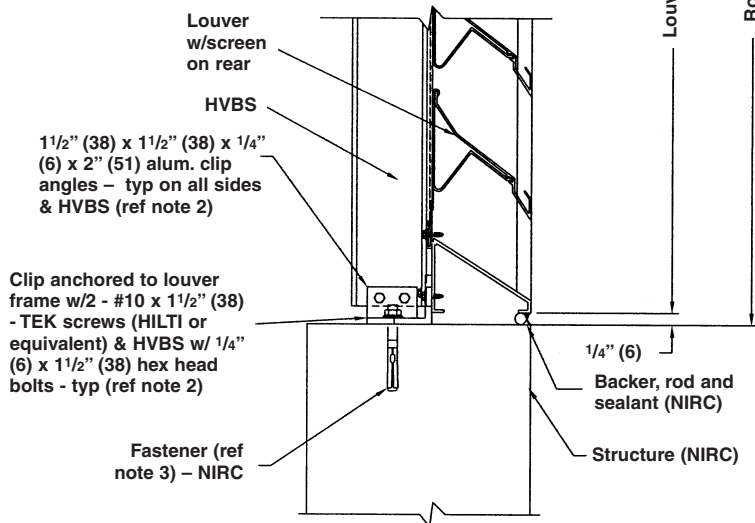
Frame or HVBS	Locations & Spacing
Head & Sill	6" (152) max from corners and ship section joints & 12" (305) max c-c between for timber and steel substrate. 4 1/2" (114) max c-c between for concrete substrate.
Jamb	6" (152) max from corners and 12" (305) max c-c between for timber and steel substrate. 4 1/2" (114) max c-c between for concrete substrate.
HVBS	One clip at top and bottom of HVBS (2 clips total per HVBS).

ANCHOR REQUIREMENTS

(Anchors not provided by Ruskin)

Structural Material	Fastener Specification
Timber	1/2" (13) diameter, 4" (102) long lag screw, 2" (51) min. edge distance.
Steel	5/16" (8) self tapping screw or bolt. Minimum metal thickness is 16 ga. (1.5)
Concrete	5/16" (8) Hilti HLC sleeve anchors. 4 1/2" (114) min edge distance. 2" (51) minimum embedment. 2000 psi min. concrete.
Aluminum	5/16" (8) self tapping screw or bolt. Minimum metal thickness is .125" (3.2)

Dimensions shown in parentheses () indicate millimeters.



ELF375DFL LOUVER INSTALLATION DETAIL

JAMB SIMILAR

NOTES:

- The installation shown herein must be followed strictly to ensure compliance with UL and Florida listings.
- 1 1/2" (38) x 1 1/2" (38) x 1/4" (6) x 2" (51) long aluminum clip angles with two #10 x 1 1/2" (38) long TEK screws (at frames) or two 1/4" (4) x 1 1/2" (38) hex head bolts and nuts (at HVBS) are provided by Ruskin shipped loose. Reference Clip Angle location table for clip locations and spacings.
- One anchor into the substrate is required at every clip angle (both

- frame and HVBS clips). Reference Anchor Requirements table for anchor information. Anchors are not provided by Ruskin.
- Ruskin is not responsible for determining the suitability of the structure.
- Shims may be required to achieve consistent clearance between louver and opening on all sides. Shims not provided by Ruskin.
- HVBS = Hidden Vertical Blade Support
- NIRC = Not In Ruskin's Contract.

RUSKIN[®]

3900 Dr. Greaves Rd.
Kansas City, MO 64030
(816) 761-7476
FAX (816) 765-8955
www.ruskin.com

Printed on recycled paper
using vegetable based inks

