

## DFD60/OW "OUT OF WALL OR FLOOR" MULTIPLE BLADE FIRE DAMPER

1½ HOUR RATING UL555 RATED FOR USE IN "DYNAMIC" SYSTEMS

### APPLICATION

Ruskin DFD60/OW 1½ hour dynamic fire dampers are designed for "out of the wall or floor" installation. The DFD60/OW is designed for "through penetration" or "duct termination" with the damper up to 8" (203) out of the plane of the wall or floor. The DFD60/OW is constructed from galvanized steel with an insulating material wrapped around the assembly.

### STANDARD CONSTRUCTION

#### FRAME

5" x 1" x 16 gage (127 x 25 x 1.52) galvanized steel hat channel, structurally superior to 13 gage (2.3) channel frame.

#### BLADES

Single piece airfoil-shaped construction with 14 gage (1.90) equivalent, approximately 6" (152) on center.

#### BEARINGS

Stainless steel sleeve, pressed into frame.

#### LINKAGE

Concealed in frame.

#### AXLES

½" (13) plated steel hex.

#### FUSIBLE LINK

165°F (74°C) standard or 212°F (100°C) available.

#### DAMPER WEIGHT

Approximately 18 lbs. per sq. ft.

### DAMPER SIZES

#### MINIMUM SIZE

Vertical Installation – 8"w x 6"h (203 x 152)

#### MAXIMUM SIZE

##### Single Section

Vertical Installation – 32"w x 36"h (813 x 914)

Horizontal Installation – 30"w x 36"h (726 x 914)

##### Multiple Sections

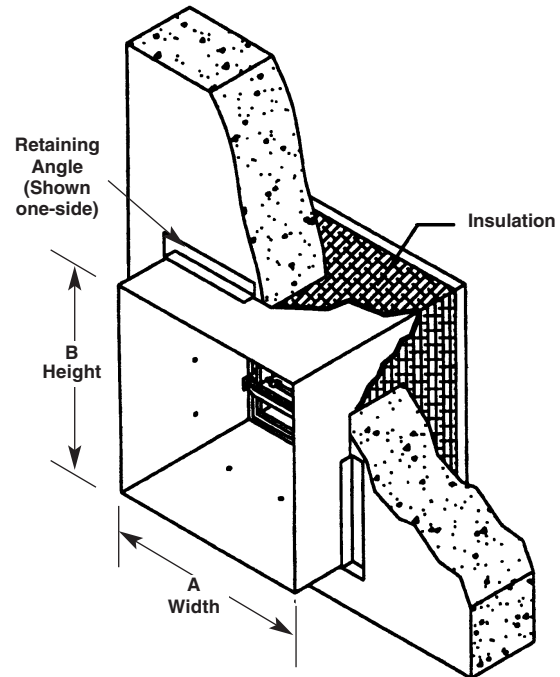
Vertical or Horizontal Installation – 36"w x 36"h (914 x 914)

### OPTIONS

- **FM Approvals** as Specification Tested Product.
- **SP100 Switch Package** to remotely indicate damper blade position.
- **Sleeve** of various lengths and gages to ensure field compliance with UL installation requirements.
- **Jamb Seals** stainless steel flexible metal compression type.
- **Blade Seals**, Silicone blade edge seals.
- **FAST Angle** for one side angle installation.
- **PFMA Angles** for two side angle installation.
- **Crank Lever** to assist with testing and fuse link replacement
- **GA, Grille Access** for one side installation and "out of wall" applications.

#### Notes:

1. Dimensions in inches, parentheses ( ) indicate millimeters.
2. Damper/sleeve assembly furnished actual size.



Ruskin DFD60/OW dampers meet the requirements for fire dampers established by:

- **National Fire Protection Association NFPA Standards** 90A, 92A, 92B and 101
- **ICC International Building Codes**
- **CSFM California State Fire Marshal Listing** #3225-245:005

#### UL CLASSIFIED

UL555 Listing R5531



SEE COMPLETE  
MARKING  
ON PRODUCT



# AMCA LICENSED AIR PERFORMANCE DATA

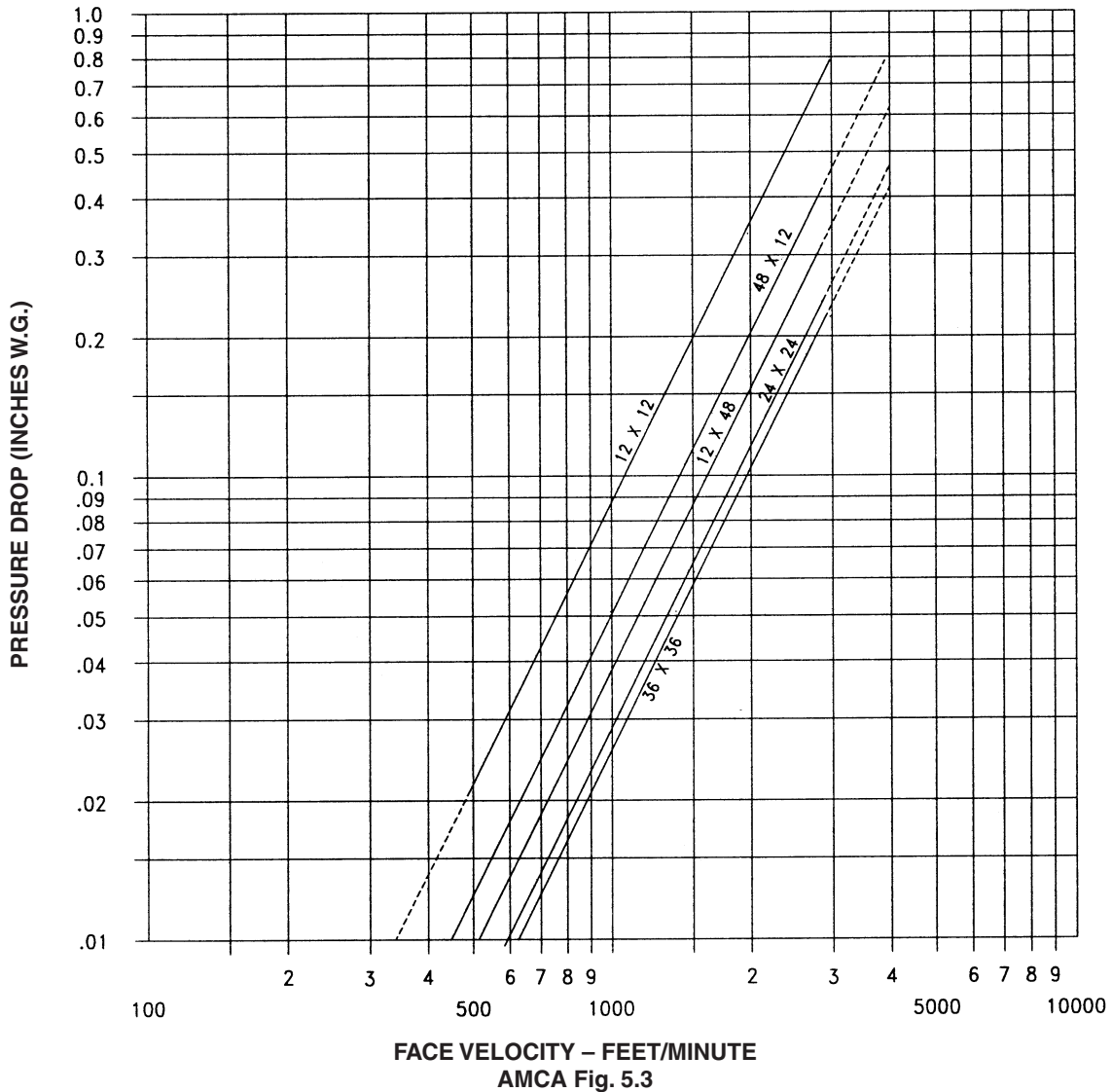


Ruskin Company certifies that the DFD60/OW shown hereon is licensed to bear the AMCA Seal. The ratings shown are based on tests and procedures performed in accordance with AMCA Publication 511 and comply with the requirements of the AMCA Certified Ratings Program. The AMCA Certified Ratings Seal applies to air performance for the DFD60/OW.

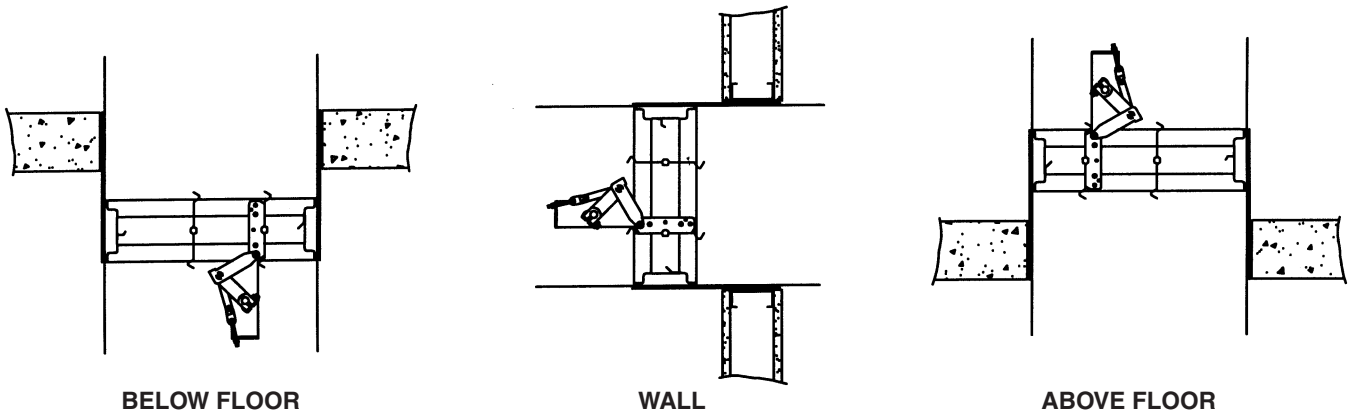
To determine the AMCA Licensed air performance:

Locate the applicable feet per minute face velocity on the bottom of the velocity vs. pressure drop chart below. Move up the chart to the most appropriate size damper line. From the intersection point, move left to determine the pressure drop on the left side of the chart.

**VELOCITY vs. PRESSURE DROP**



# ORIENTATION



# SLEEVE TRANSITION DIMENSIONAL DATA

## DUCT TRANSITION CONNECTIONS

FD35SS dampers may be supplied with Round, Oval and Rectangular duct connections.

Style	Description
BC	Units Under 6" (152) Tall
WR	Round Welded (High Pressure)
WC	Rectangular Welded (High Pressure)
WO	Oval Welded (High Pressure)

The square damper size will be 2" (51) larger in width and height than the round, oval or rectangular duct size ordered.

## MINIMUM and MAXIMUM SIZES

### WR Round Transitions

Minimum 6" (152) diameter  
Maximum 34" (864) diameter

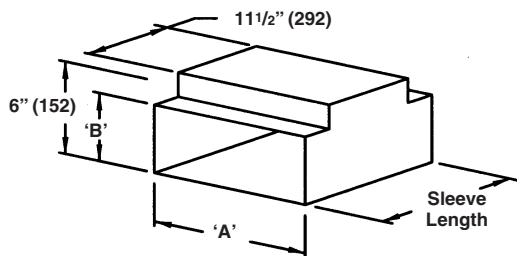
### WO Rectangular and Oval Transitions

Minimum 6" x 4" (152 x 102) diameter  
Maximum 34" x 32" (864 x 813) diameter

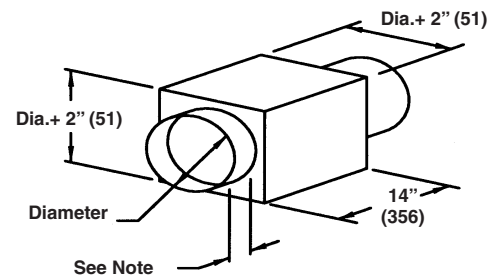
### 'BC' Style Transitions

Minimum height 4" (102) 'B' style transitions are utilized on units where the damper height is less than 6" (152).

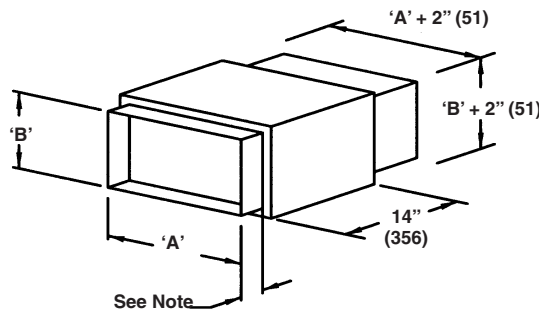
Consult Ruskin for other available styles and sizes.



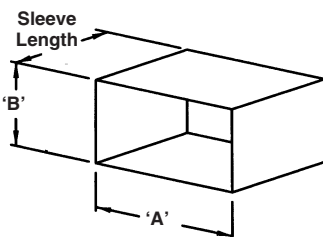
Style BC



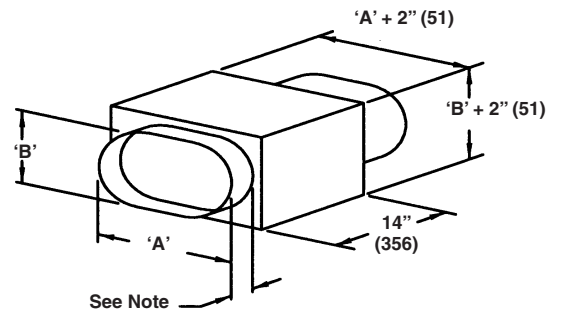
Style WR



Style WC



Style A

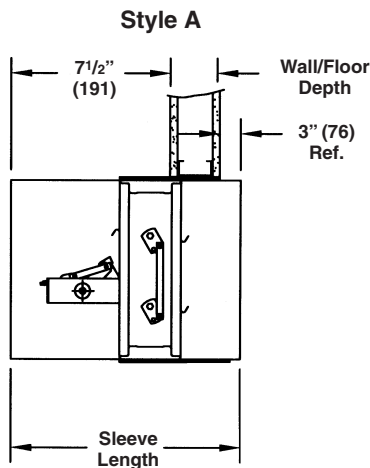


Style WO

## DAMPER SLEEVE DIMENSIONAL DATA

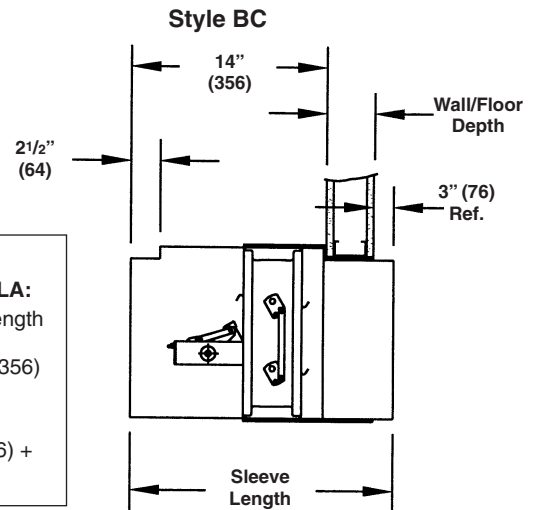
The drawings show the position of the damper mounted in the factory sleeve. The standard location permits the damper to be installed outside the plane of the wall or floor. For damper styles WR, WC, WO and BC only the duct connection portion extends through the wall and the damper assembly is mounted flush with the wall.

(Note: For grille type installation, omit the 3 1/2" (89) sleeve extension.)

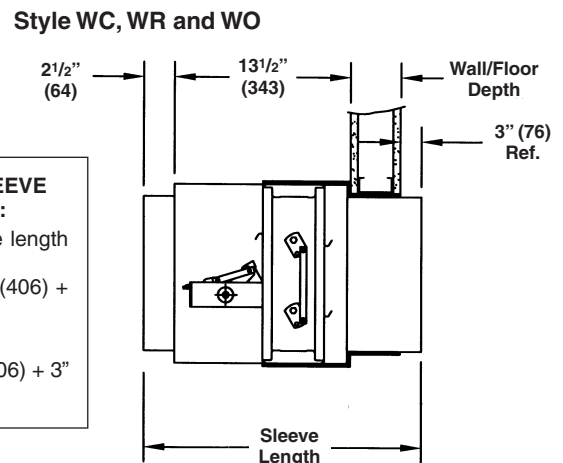


**STYLE A  
SLEEVE LENGTH FORMULA:**  
To determine correct sleeve length necessary:  
Add wall or floor depth 7 1/2" (191) + 3" (76)  
**Example:**  
Wall depth 4 1/2" (114) + 7 1/2" (191) + 3" (76) = 15" (381)

**STYLE BC  
SLEEVE LENGTH FORMULA:**  
To determine correct sleeve length necessary:  
Add wall or floor depth + 14" (356) + 3" (76)  
**Example:**  
Wall depth 4" (102) + 14" (356) + 3" (76) = 21" (533)



**STYLE W, WC & WO SLEEVE LENGTH FORMULA:**  
To determine correct sleeve length necessary:  
Add wall or floor depth 16" (406) + 3" (76)  
**Example:**  
Wall depth 4" (102) + 16" (406) + 3" (76) = 23" (584)



## SUGGESTED SPECIFICATION

Furnish and install at locations shown on plans or as described in schedules AMCA Certified fire dampers constructed and tested in accordance with UL Safety Standard 555 that meet or exceed the following specifications. Fire Dampers shall be produced in an ISO 9001 certified factory.

Damper frame, where size permits, shall be constructed using Uniframe Design Concept (UDC) and shall be minimum 16 gage (1.52) galvanized steel [or stainless steel] formed into a structural hat channel superior to 13 gage (2.30) channel frame. Top and bottom frame members on dampers less than 13" (330) high shall be low profile design to maximize the free area of these smaller dampers. Damper blades shall be single piece airfoil shaped with 14 gage (1.90) equivalent thickness. Airfoil type blades generate low pressure drop and low noise levels. Bearings shall be stainless steel permanently lubricated sleeve type turning in an extruded hole in the frame for maximum life.

Each fire damper shall have a 1 1/2 hour fire protection rating and shall be supplied with a 165°F (74°C) or 212°F (100°C) fusible link. Submit-

tal information shall include the fire protection, maximum velocity and pressure ratings and the manufacturer's UL installation instructions.

Fire dampers shall be approved for vertical or horizontal mounting as required by the location and are approved for installation "out of the wall or floor." Dampers shall be installed using steel sleeves, angles and other materials and practice required to provide an installation in accordance with the damper manufacturer's installation instructions. In addition, the fire dampers shall be AMCA licensed for air performance.

Each fire damper shall be labeled for use in dynamic systems. Static only damper labels are not permissible. The damper shall be rated for dynamic closure at 2000 fpm (10.2 m/s) and 4" w.g. (1 kPa) static pressure and shall be tested and rated to close with airflow in either direction. Vertical dampers installed in walls shall have extended dynamic closure and operational ratings of 4000 fpm (20.3 m/s) and 8" w.g. (2 kPa).

Fire dampers shall be Ruskin model DFD60/OW.

(Consult [www.ruskin.com](http://www.ruskin.com) for electronic version of this "Quick" spec as well as for complete 3-part CSI MasterFormat Specifications)

**RUSKIN**<sup>®</sup>

3900 Dr. Greaves Rd.  
Kansas City, MO 64030  
(816) 761-7476  
FAX (816) 765-8955  
[www.ruskin.com](http://www.ruskin.com)

Printed on recycled paper  
using vegetable based inks

