

XP500S FEMA LOUVER CHEVRON BLADE FEMA 361 GRILLE

STANDARD CONSTRUCTION

FRAME

1" x 8" x 4" (25 x 203 x 102) channel 1/4" (6) Thick Hot Rolled Steel.

BLADES

3" x 3" x 1/4" (75 x 75 x 6) Thick Chevron Style Hot Rolled Steel.

BIRD SCREEN

5/8" x .040" (16 x 1.) expanded flattened aluminum bird screen in removable frame. Screen adds approximately 1/2" (13) to louver depth.

FINISH

Mill.

MINIMUM SIZE

12"w x 12"h (305 x 305).

APPROXIMATE SHIPPING WEIGHT

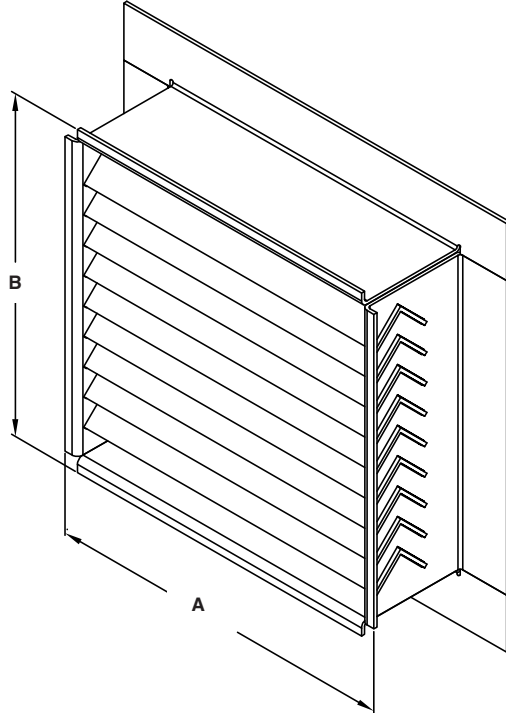
40 lbs. per sq. ft. (193.5 kg/m²)

MAXIMUM SHIPPING SECTION SIZE

80"w x 60"h or 60"w x 80"h (2032 x 1524 or 1524 x 2032).

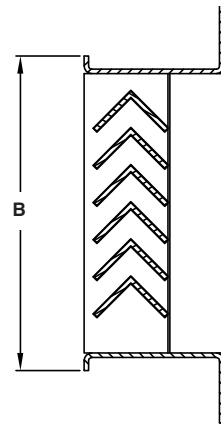
MAXIMUM OVERALL ASSEMBLY SIZE

Unlimited width x one section tall.

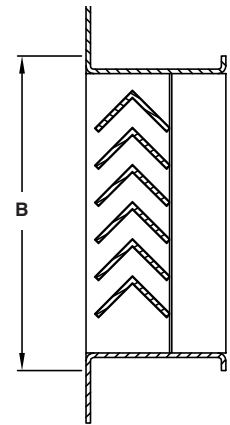


FEATURES

- Louver impact tested to FEMA 361 Design and Construction for Community Shelters, Zone IV criteria, 250 MPH wind, 15 lb. 2x4 impact at 100 mph.
- Louver design to withstand 266 psf.
- Louver mounted externally in combination with wall louver or by itself internally (See attached).
- 53% Free Area.
- Powder Coat Finish.



EXTERNAL MOUNT



INTERNAL MOUNT

Dimensions in inches, parenthesis () indicate millimeters.

*Units furnished 1/4" (6) smaller than given opening.

TAG	QTY.	SIZE		VARIATIONS
		A*-WIDE	B*-HIGH	
PROJECT		LOCATION		
ARCH./ENGR.		CONTRACTOR		
REPRESENTATIVE		DATE		

FREE AREA GUIDE

Free Area Guide shows free area in ft² and m² for various sizes of XP500S.

Width – Inches and Meters

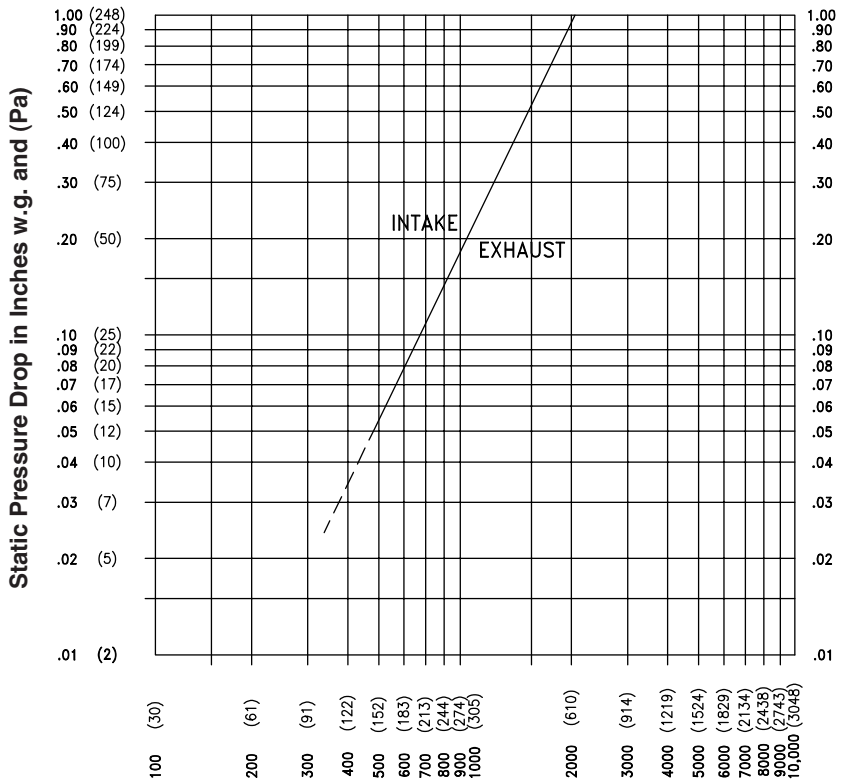
Height – Inches and Meters	12	18	24	30	36	42	48	54	60	66	72	78	84	90
	0.30	0.46	0.61	0.76	0.91	1.07	1.22	1.37	1.52	1.68	1.83	1.98	2.13	2.29
12	0.29	0.48	0.66	0.72	0.91	1.09	1.28	1.26	1.45	1.63	1.81	2.00	2.18	2.37
0.30	0.03	0.04	0.06	0.07	0.08	0.10	0.12	0.12	0.13	0.15	0.17	0.19	0.20	0.22
18	0.46	0.75	1.03	1.13	1.42	1.71	2.00	1.97	2.26	2.55	2.84	3.13	3.41	3.70
0.46	0.04	0.07	0.10	0.11	0.13	0.16	0.19	0.18	0.21	0.24	0.26	0.29	0.32	0.34
24	0.70	1.14	1.59	1.73	2.18	2.62	3.06	3.03	3.47	3.91	4.35	4.80	5.24	5.68
0.61	0.07	0.11	0.15	0.16	0.20	0.24	0.28	0.28	0.32	0.36	0.41	0.45	0.49	0.53
30	0.95	1.54	2.14	2.34	2.94	3.53	4.13	4.08	4.68	5.28	5.87	6.47	7.07	7.66
0.76	0.09	0.14	0.20	0.22	0.27	0.33	0.38	0.38	0.44	0.49	0.55	0.60	0.66	0.71
36	1.19	1.94	2.69	2.94	3.70	4.45	5.20	5.14	5.89	6.64	7.39	8.14	8.89	9.65
0.91	0.11	0.18	0.25	0.27	0.34	0.41	0.48	0.48	0.55	0.62	0.69	0.76	0.83	0.90
42	1.43	2.34	3.25	3.55	4.45	5.36	6.27	6.19	7.10	8.00	8.91	9.81	10.72	11.63
1.07	0.13	0.22	0.30	0.33	0.41	0.50	0.58	0.58	0.66	0.74	0.83	0.91	1.00	1.08
48	1.67	2.72	3.78	4.13	5.18	6.24	7.29	7.20	8.26	9.31	10.36	11.42	12.47	13.53
1.22	0.16	0.25	0.35	0.38	0.48	0.58	0.68	0.67	0.77	0.87	0.96	1.06	1.16	1.26
54	1.84	3.00	4.17	4.56	5.72	6.88	8.05	7.95	9.11	10.27	11.44	12.60	13.76	14.93
1.37	0.17	0.28	0.39	0.42	0.53	0.64	0.75	0.74	0.85	0.96	1.06	1.17	1.28	1.39
60	2.09	3.40	4.72	5.16	6.48	7.80	9.11	9.00	10.32	11.64	12.96	14.27	15.59	16.91
1.52	0.19	0.32	0.44	0.48	0.60	0.72	0.85	0.84	0.96	1.08	1.20	1.33	1.45	1.57
66	2.33	3.80	5.27	5.76	7.24	8.71	10.18	10.06	11.53	13.00	14.47	15.95	17.42	18.89
1.68	0.22	0.35	0.49	0.54	0.67	0.81	0.95	0.94	1.07	1.21	1.35	1.48	1.62	1.76
72	2.57	4.20	5.83	6.37	8.00	9.62	11.25	11.11	12.74	14.36	15.99	17.62	19.24	20.87
1.83	0.24	0.39	0.54	0.59	0.74	0.89	1.05	1.03	1.18	1.34	1.49	1.64	1.79	1.94
78	2.82	4.60	6.38	6.97	8.75	10.53	12.32	12.17	13.95	15.73	17.51	19.29	21.07	22.85
1.98	0.26	0.43	0.59	0.65	0.81	0.98	1.15	1.13	1.30	1.46	1.63	1.79	1.96	2.13
84	3.05	4.97	6.89	7.53	9.46	11.38	13.30	13.14	15.07	16.99	18.91	20.84	22.76	24.68
2.13	0.28	0.46	0.64	0.70	0.88	1.06	1.24	1.22	1.40	1.58	1.76	1.94	2.12	2.30
90	3.23	5.26	7.30	7.98	10.02	12.06	14.09	13.92	15.96	18.00	20.04	22.08	24.11	26.15
2.29	0.30	0.49	0.68	0.74	0.93	1.12	1.31	1.30	1.48	1.67	1.86	2.05	2.24	2.43
96	3.47	5.66	7.86	8.59	10.78	12.97	15.16	14.98	17.17	19.36	21.56	23.75	25.94	28.13
2.44	0.32	0.53	0.73	0.80	1.00	1.21	1.41	1.39	1.60	1.80	2.00	2.21	2.41	2.62

Height – Inches and Meters

WATER PENETRATION

Test size 48" w x 48" h (1219 x 1219)
Beginning point of water penetration
at .01 oz./sq. ft. is 652 fpm (199 m/min).

PRESSURE DROP DATA

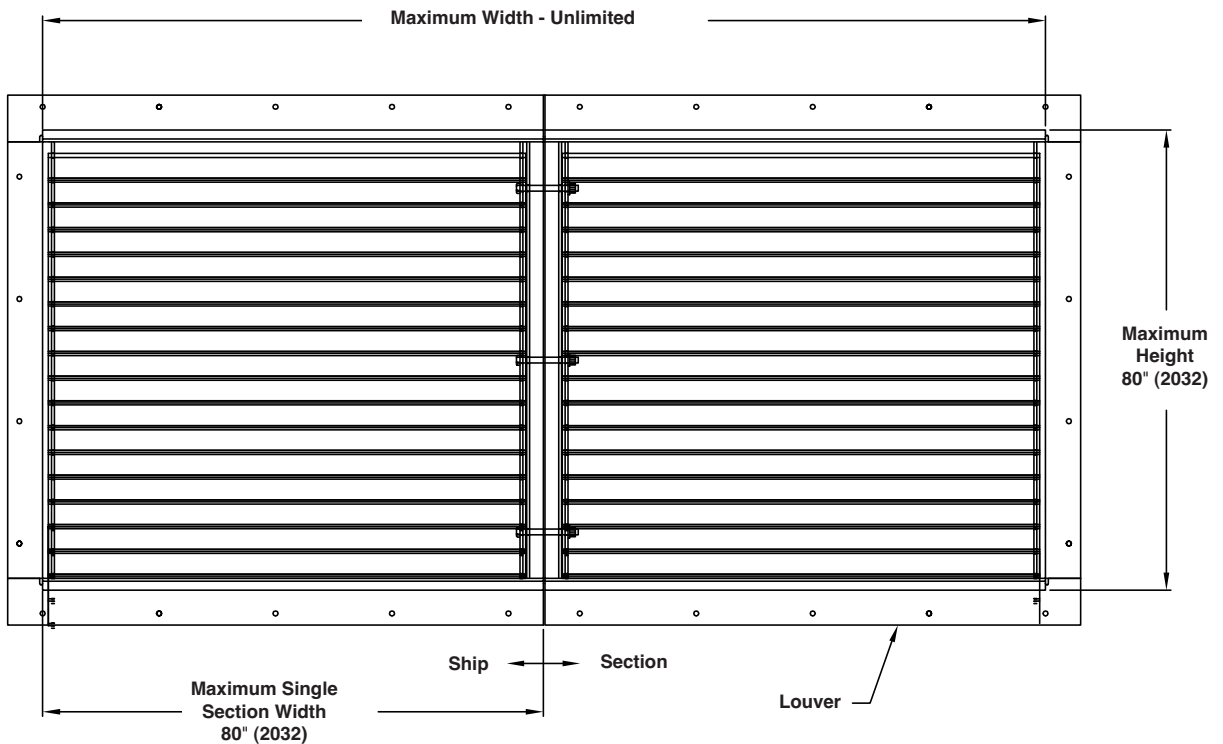


Air Velocity in feet (meters) per minute through Free Area
(Data corrected to standard air density and AMCA figure or figures tested to 5.5)

CONSTRUCTION INFORMATION

MATERIAL	ANCHOR TYPE	SPACING	EMBEDMENT	EDGE DISTANCE
CMU, Grout filled 1500 Min. PSI	3/4" (19) DIA Hilti Kwik Bolt III Expansion Anchor	8" (203) Max on center & 3" from ends	4 3/4" (121)	4" (102)
Concrete 3000 PSI Min	5/8" (16) DIA Hilti Kwik Bolt III	8" (203) Max on center & 3" from ends	4 3/4" (121)	4" (102)
Steel or Aluminum Frame	5/8" (16) DIA Kwik Bolt	8" (203) Max on center & 3" from ends	4" (102)	2" (51)

SHIP SECTION INFORMATION



1. Reference separate installation instruction sheets for installation details. It is the responsibility of the installing contractor to properly install the louvers per the appropriate detail.
2. On special orders, Ruskin may provide submittal and/or shop drawings. Reference these drawings for additional installation information.
3. Louvers wider than the maximum single section width will be shipped in multiple sections and will require field assembly. Field assembly is not by Ruskin.

RUSKIN®

3900 Dr. Greaves Rd.
Kansas City, MO 64030
(816) 761-7476
FAX (816) 765-8955
www.ruskin.com