

## GPAD WALK-THROUGH ACCESS DOOR

### STANDARD CONSTRUCTION

#### FRAME

Heavy duty extruded aluminum with nominal 1 1/2" (38) front flanges and mitered corners.

#### DOOR

Extruded aluminum frame with mitered corners and 24 gage (.7) galvanized steel panel. Aluminum framed 9" x 9" (229 x 229) 1/4" (6) wire glass window optional. Right or left hand opening.

#### LOCKS

Two dual acting handles for doors 48" (1219) high and under and three dual acting handles for doors over 48" (1219) high.

#### HINGE

Continuous steel hinge.

#### SEAL

Neoprene sponge.

#### INSULATION

3/4" (19) urethane foam board with R value of 5.5.

#### FINISH

Mill.

### MAXIMUM PRESSURE

Positive – 4 in. w.g. (996 Pa) Negative – 8 in. w.g. (1991 Pa)

For pressure other than shown above consult Ruskin.

### INSTALLATION

Duct opening should be cut 1/4" to 1/2" (6 to 13) larger than door size. Frame flange should be caulked with sealant prior to installation for best leakage performance.

### SIZES

18"w x 36"h (457 x 914)      24"w x 36"h (610 x 914)      30"w x 36"h (762 x 914)

18"w x 48"h (457 x 219)      24"w x 48"h (610 x 1219)      30"w x 48"h (762 x 1219)

18"w x 54"h (457 x 1372)      24"w x 54"h (610 x 1372)      30"w x 54"h (762 x 1372)

18"w x 60"h (457 x 524)      24"w x 60"h (610 x 1524)      30"w x 60"h (762 x 1524)

18"w x 66"h (457 x 1676)      24"w x 66"h (610 x 1676)      30"w x 66"h (762 x 1676)

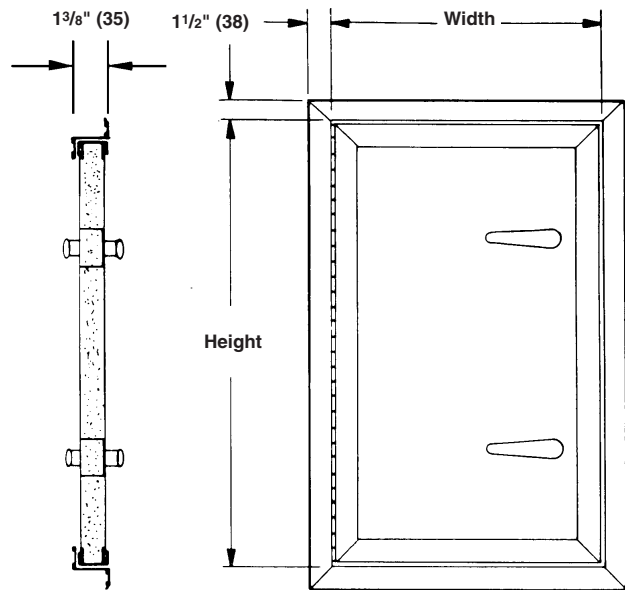
18"w x 72"h (457 x 1829)      24"w x 72"h (610 x 1829)      30"w x 72"h (762 x 1829)

Consult Ruskin for other sizes than listed above.

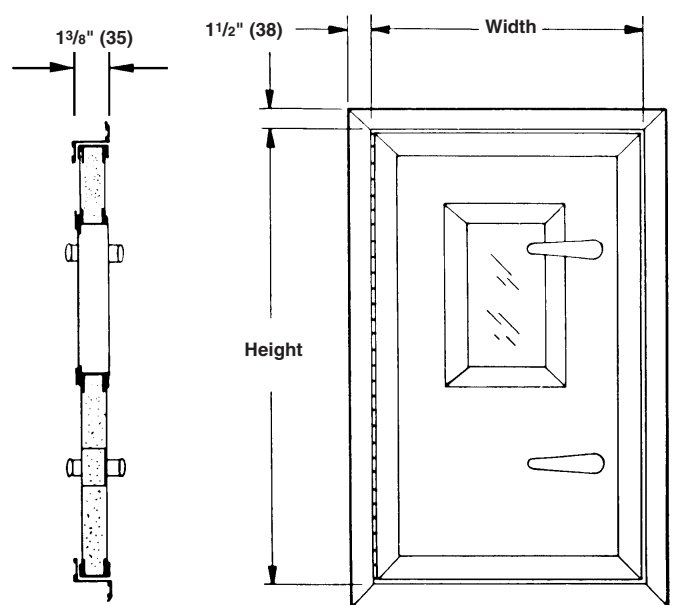
### FEATURES

Available in a variety of heights and widths, Ruskin's GPAD offers convenient, walk-through access to duct-work interiors in low to medium pressure systems and plenums. Extremely low leakage of less than .1 cfm/perimeter inch is provided when door is closed (based on AMCA Standard 500 tests).

**NOTE:** Dimensions shown in parentheses ( ) indicate millimeters.



**STANDARD CONSTRUCTION**



**WINDOW OPTION**  
(Left hand opening shown)  
9" x 9" (229 x 229) 1/4" (6) wire glass window

***RUSKIN***<sup>®</sup>

3900 Dr. Greaves Rd.  
Kansas City, MO 64030  
(816) 761-7476  
FAX (816) 765-8955  
[www.ruskin.com](http://www.ruskin.com)