

EME220DD WIND-DRIVEN RAIN RESISTANT STATIONARY LOUVER EXTRUDED ALUMINUM

STANDARD CONSTRUCTION

FRAME

2" (51) deep, 6063T6 extruded aluminum with .060" (1.5) nominal wall thickness.

BLADES

6063T6 extruded aluminum .045" (1.1) nominal wall thickness. Double drainable blades are sightproof.

SCREEN

5/8" x .040" (16 x 1) expanded flattened aluminum bird screen in removable frame. Screen adds approximately 1/2" (13) to louver depth.

FINISH

Mill.

MINIMUM SIZE

6"w x 6"h (152 x 152).

APPROXIMATE SHIPPING WEIGHT

4 lbs. per sq. ft. (19.4 kg/m²)

MAXIMUM FACTORY ASSEMBLY SIZE

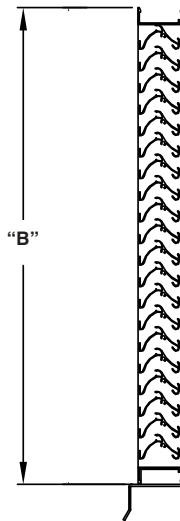
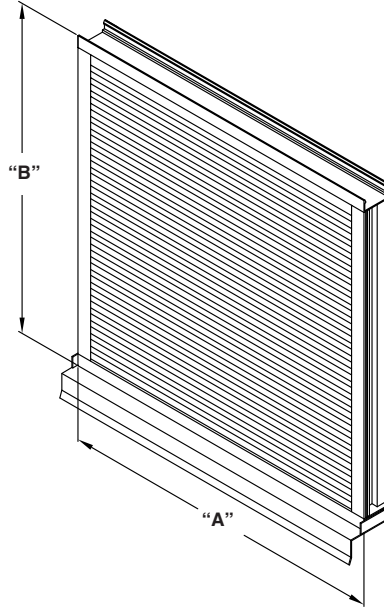
Single sections shall not exceed 120" x 90"h (3048 x 2286) or 90"w x 120"h (2286 x 3048).

Louvers larger than the maximum single section size will require field assembly of smaller sections.

SUPPORTS

Louvers may be provided with rear mounted blade supports that increase overall louver depth depending on louver size, assembly configuration or windload.

Consult Ruskin for additional information.



FEATURES

- Closely spaced horizontal blades minimize the penetration of wind-driven rain, reducing damage and additional operating expenses.
- Tested in the AMCA 500-L Wind-Driven Rain Penetration Test.
- Published performance ratings based on testing in accordance with AMCA Publication 511.
- 43% Free Area.
- Excellent pressure drop performance.
- Aluminum construction for low maintenance and high resistance to corrosion.

VARIATIONS

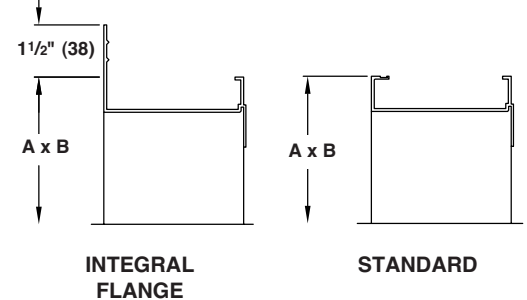
- Extended sill.
- Hinged frame.
- Front or rear security bars.
- Filter racks.
- Installation angles.
- A variety of bird and insect screens.

Finishes:

- Prime coat.
- Baked enamel (modified fluoropolymer).
- Epoxy
- Pearledize 50 & 70.
- Kynar.
- Clear and color anodize.
- Triangular and round shapes available.

Consult Ruskin for other special requirements.

FRAME CONSTRUCTION OPTIONS



Please reference our website
www.ruskin.com for up to date
LEED® information

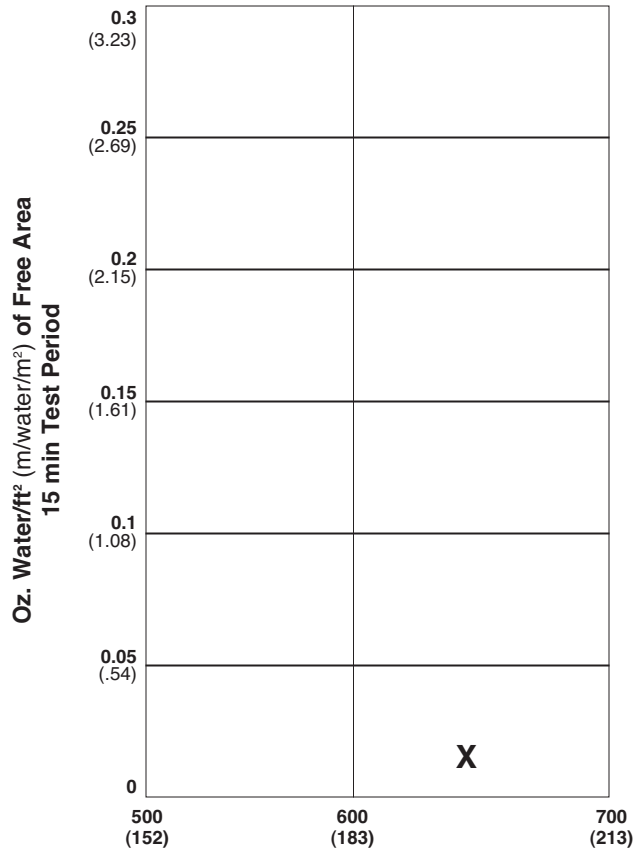
NOTES:

1. Dimensions in inches, parenthesis () indicate millimeters.
2. Units furnished 1/4" (6) smaller than given opening dimensions.

TAG	QTY.	SIZE		FRAME	VARIATIONS
		A*-WIDE	B*-HIGH		
PROJECT ARCH./ENGR. REPRESENTATIVE			LOCATION CONTRACTOR DATE		

WATER PENETRATION GRAPH

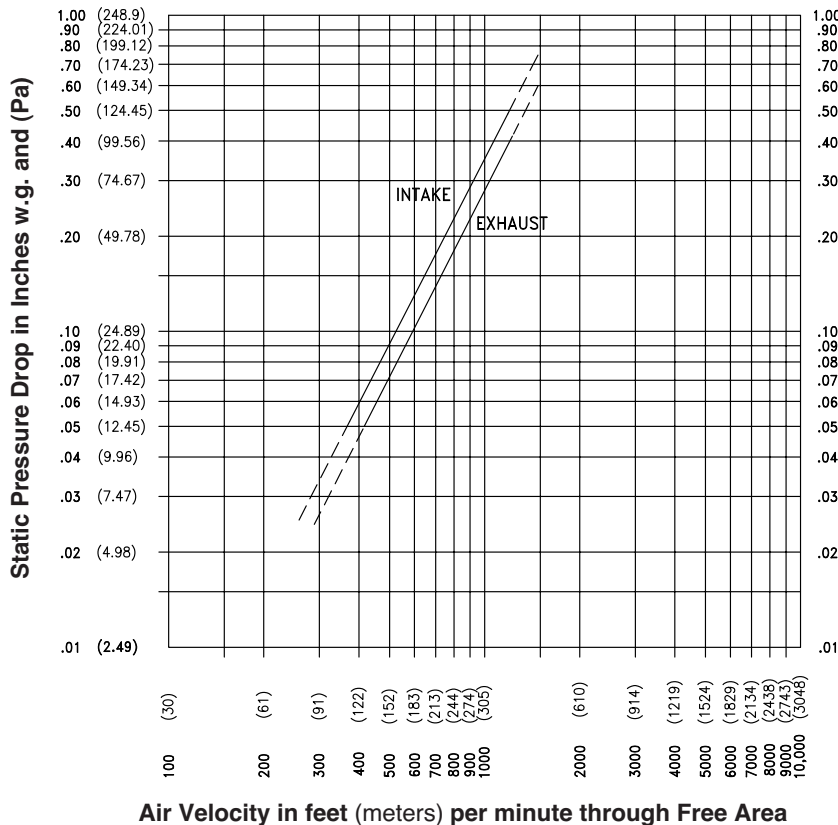
Test size 48" x 48" (1219 x 1219)
 Beginning point of water penetration at .01 oz./sq. ft. is 680 fpm (208 m/min.)



Ruskin Company certifies that the louver shown herein is licensed to bear the AMCA Seal. The ratings shown are based on tests and procedures performed in accordance with AMCA Publication 511 and comply with the requirements of the AMCA Certified Ratings Program. The AMCA Certified Ratings Seal applies to air performance ratings, water penetration ratings and wind driven rain ratings only.

PRESSURE DROP

Pressure Drop testing performed on 48" x 48" (1219 x 1219) unit.



Ratings do not include the effect of a bird screen.

FREE AREA GUIDE

Free Area Guide shows free area in ft² and m² for various sizes of EME220DD. Width – Inches and Meters

Height – Inches and Meters	6		12		18		24		30		36		42		48		54		60		66		72		78		84		90		96		102		108		114		120						
	0.15	0.30	0.46	0.61	0.76	0.91	1.07	1.22	1.37	1.52	1.68	1.83	1.98	2.13	2.29	2.44	2.59	2.74	2.90	3.05	3.21	3.37	3.52	3.68	3.83	3.99	4.14	4.30	4.45	4.61	4.76	4.91	5.07	5.22	5.37	5.53	5.68	5.83	5.99						
6	0.04	0.11	0.18	0.25	0.32	0.39	0.46	0.53	0.60	0.67	0.74	0.82	0.89	0.96	1.03	1.10	1.17	1.24	1.31	1.38	1.45	1.52	1.59	1.66	1.73	1.80	1.87	1.94	2.01	2.08	2.15	2.22	2.29	2.36	2.43	2.50	2.57	2.64	2.71	2.78					
12	0.10	0.28	0.46	0.64	0.82	1.00	1.18	1.36	1.54	1.72	1.90	2.08	2.26	2.44	2.62	2.80	2.98	3.16	3.34	3.52	3.70	3.88	4.06	4.24	4.42	4.60	4.78	4.96	5.14	5.32	5.50	5.68	5.86	6.04	6.22	6.40	6.58	6.76	6.94	7.12	7.30				
18	0.17	0.48	0.78	1.09	1.40	1.71	2.01	2.32	2.63	2.94	3.24	3.55	3.86	4.17	4.47	4.78	5.09	5.40	5.70	6.01	6.31	6.62	6.92	7.23	7.53	7.84	8.14	8.45	8.75	9.05	9.36	9.66	9.96	10.26	10.56	10.86	11.16	11.46	11.76	12.06	12.36	12.66			
24	0.24	0.67	1.11	1.54	1.98	2.41	2.85	3.28	3.72	4.15	4.59	5.02	5.45	5.89	6.32	6.76	7.19	7.63	8.06	8.50	8.93	9.37	9.80	10.23	10.66	11.09	11.52	11.95	12.38	12.81	13.24	13.67	14.10	14.53	14.96	15.39	15.82	16.25	16.68	17.11	17.54	17.97	18.40		
30	0.30	0.84	1.39	1.93	2.48	3.02	3.56	4.11	4.65	5.20	5.74	6.29	6.83	7.37	7.92	8.46	9.01	9.55	10.10	10.64	11.18	11.72	12.26	12.80	13.34	13.88	14.42	14.96	15.50	16.04	16.58	17.12	17.66	18.20	18.74	19.28	19.82	20.36	20.90	21.44	21.98	22.52	23.06		
36	0.37	1.04	1.71	2.38	3.05	3.73	4.40	5.07	5.74	6.41	7.08	7.76	8.43	9.10	9.77	10.44	11.11	11.78	12.46	13.13	13.80	14.47	15.14	15.81	16.48	17.15	17.82	18.49	19.16	19.83	20.50	21.17	21.84	22.51	23.18	23.85	24.52	25.19	25.86	26.53	27.20	27.87	28.54		
42	0.43	1.21	1.99	2.77	3.55	4.33	5.12	5.90	6.68	7.46	8.24	9.02	9.80	10.58	11.37	12.15	12.93	13.71	14.49	15.27	16.05	16.83	17.61	18.39	19.17	19.95	20.73	21.51	22.29	23.07	23.85	24.63	25.41	26.19	26.97	27.75	28.53	29.31	30.09	30.87	31.65	32.43	33.21	33.99	
48	0.50	1.41	2.31	3.22	4.13	5.04	5.95	6.86	7.77	8.67	9.58	10.49	11.40	12.31	13.22	14.12	15.03	15.94	16.85	17.76	18.67	19.58	20.49	21.40	22.31	23.22	24.13	25.04	25.95	26.86	27.77	28.68	29.59	30.50	31.41	32.32	33.23	34.14	35.05	35.96	36.87	37.78	38.69	39.60	40.51
54	0.57	1.60	2.64	3.67	4.71	5.75	6.78	7.82	8.85	9.89	10.92	11.96	13.00	14.03	15.07	16.10	17.14	18.17	19.21	20.24	21.28	22.31	23.35	24.38	25.42	26.45	27.49	28.52	29.56	30.59	31.63	32.66	33.70	34.73	35.77	36.80	37.84	38.87	39.91	40.94	41.98	43.01	44.05	45.08	
60	0.63	1.77	2.92	4.06	5.21	6.35	7.50	8.65	9.79	10.94	12.08	13.23	14.37	15.52	16.66	17.81	18.95	20.10	21.24	22.39	23.53	24.67	25.81	26.95	28.09	29.23	30.37	31.51	32.65	33.79	34.93	36.07	37.21	38.35	39.49	40.63	41.77	42.91	44.05	45.19	46.33	47.47	48.61		
66	0.70	1.97	3.24	4.52	5.79	7.06	8.33	9.61	10.88	12.15	13.42	14.70	15.97	17.24	18.51	19.79	21.06	22.33	23.60	24.88	26.15	27.42	28.69	29.96	31.23	32.50	33.77	35.04	36.31	37.58	38.85	40.12	41.39	42.66	43.93	45.20	46.47	47.74	49.01	50.28	51.55	52.82	54.09		
72	0.76	2.14	3.52	4.90	6.29	7.67	9.05	10.43	11.82	13.20	14.58	15.96	17.34	18.73	20.11	21.49	22.87	24.25	25.64	27.02	28.40	29.78	31.16	32.54	33.92	35.30	36.68	38.06	39.44	40.82	42.20	43.58	44.96	46.34	47.72	49.10	50.48	51.86	53.24	54.62	56.00	57.38	58.76		
78	0.83	2.34	3.85	5.36	6.87	8.37	9.88	11.39	12.90	14.41	15.92	17.43	18.94	20.45	21.96	23.47	24.98	26.49	28.00	29.51	31.02	32.53	34.04	35.55	37.06	38.57	40.08	41.59	43.10	44.61	46.12	47.63	49.14	50.65	52.16	53.67	55.18	56.69	58.20	59.71	61.22	62.73	64.24	65.75	
84	0.90	2.52	4.17	5.81	7.44	9.08	10.72	12.35	13.99	15.63	17.26	18.90	20.54	22.17	23.81	25.45	27.08	28.72	30.36	31.99	33.63	35.26	36.89	38.52	40.15	41.78	43.41	45.04	46.67	48.30	49.93	51.56	53.19	54.82	56.45	58.08	59.71	61.34	62.97	64.60	66.23	67.86	69.49		
90	0.96	2.70	4.45	6.20	7.94	9.69	11.44	13.18	14.93	16.67	18.42	20.17	21.91	23.66	25.41	27.15	28.90	30.64	32.39	34.14	35.88	37.63	39.37	41.12	42.86	44.61	46.35	48.09	49.84	51.58	53.33	55.07	56.81	58.56	60.30	62.05	63.79	65.54	67.28	69.03	70.77	72.51	74.26		
96	1.03	2.90	4.77	6.65	8.52	10.39	12.27	14.14	16.01	17.89	19.76	21.64	23.51	25.38	27.26	29.13	31.00	32.88	34.75	36.62	38.49	40.36	42.23	44.10	45.97	47.84	49.71	51.58	53.45	55.32	57.19	59.06	60.93	62.80	64.67	66.54	68.41	70.28	72.15	74.02	75.89	77.76	79.63		
102	1.14	3.12	5.09	7.06	9.03	11.00	12.97	14.94	16.91	18.88	20.85	22.82	24.79	26.76	28.73	30.70	32.67	34.64	36.61	38.58	40.55	42.52	44.49	46.46	48.43	50.40	52.37	54.34	56.31	58.28	60.25	62.22	64.19	66.16	68.13	70.10	72.07	74.04	76.01	77.98	79.95	81.92	83.89		
108	1.16	3.27	5.38	7.49	9.60	11.71	13.82	15.93	18.04	20.15	22.26	24.37	26.48	28.59	30.70	32.81	34.92	37.03	39.14	41.25	43.36	45.47	47.58	49.69	51.80	53.91	56.02	58.13	60.24	62.35	64.46	66.57	68.68	70.79	72.90	75.01	77.12	79.23	81.34	83.45	85.56	87.67	89.78		
114	1.23	3.46	5.70	7.94	10.18	12.41	14.65	16.89	19.13	21.36	23.60	25.84	28.08	30.32	32.55	34.79	37.03	39.27	41.51	43.75	45.99	48.23	50.47	52.71	54.95	57.19	59.43	61.67	63.91	66.15	68.39	70.63	72.87	75.11	77.35	79.59	81.83	84.07	86.31	88.55	90.79	93.03	95.27		
120	1.29	3.63	5.98	8.33	10.68	13.02	15.37	17.72	20.06	22.41	24.76	27.11	29.45	31.80	34.15	36.50	38.84	41.19	43.54	45.88	48.23	50.58	52.93	55.28	57.63	59.98	62.33	64.68	67.03	69.38	71.73	74.08	76.43	78.78	81.13	83.48	85.83	88.18	90.53	92.88	95.23	97.58	99.93		

WIND-DRIVEN RAIN PERFORMANCE

Test size is 1m x 1m (39" x 39") core area, 1.04m x 1.12m (41" x 44") nominal. Free Area of test louver is 4.20 ft² (.39m²).

29 mph (75 mm/h) wind & 3" (76) per hour rain conditions

Core Velocity ₁ fpm (m/s)	Airflow cfm (m ³ /min)	Free Area Velocity ₂ fpm (m/sec.)	Effectiveness Ratio	Class
0	0	0	99.9	A
132 (.7)	1421	383	99.9	A
197 (1.0)	2120	505	99.9	A
285 (1.4)	3068	730	99.9	A
374 (1.9)	4031	960	99.9	A
472 (2.4)	5077	1209	99.3	A
583 (3.0)	6277	1495	97.1	B
685 (3.5)	7373	1755	96.1	B

50 mph (202 mm/h) wind & 8" (203) per hour rain conditions

Core Velocity ₁ fpm (m/s)	Airflow cfm (m ³ /min)	Free Area Velocity ₂ fpm (m/sec.)	Effectiveness Ratio	Class
0	0	0	99.9	A
114 (.6)	1228	292	99.8	A
186 (.9)	2001	476	99.4	A
294 (1.5)	3181	757	99.3	A
398 (2.0)	4285	1020	97.8	B
494 (2.5)	5315	1265	96.2	B
568 (2.9)	6114	1456	95.4	B
691 (3.5)	7442	1772	90.9	C

NOTES

- Core area is the open area of the louver face (face area less louver frames). Core Velocity is the airflow velocity through the Core Area of the louver (1m x 1m).
- Free Area of test size is calculated per AMCA standard 500-L.
- Wind Driven Rain Penetration Classes:

Class	Effectiveness
A	1 to .99
B	0.989 to 0.95
C	0.949 to 0.80
D	Below 0.8

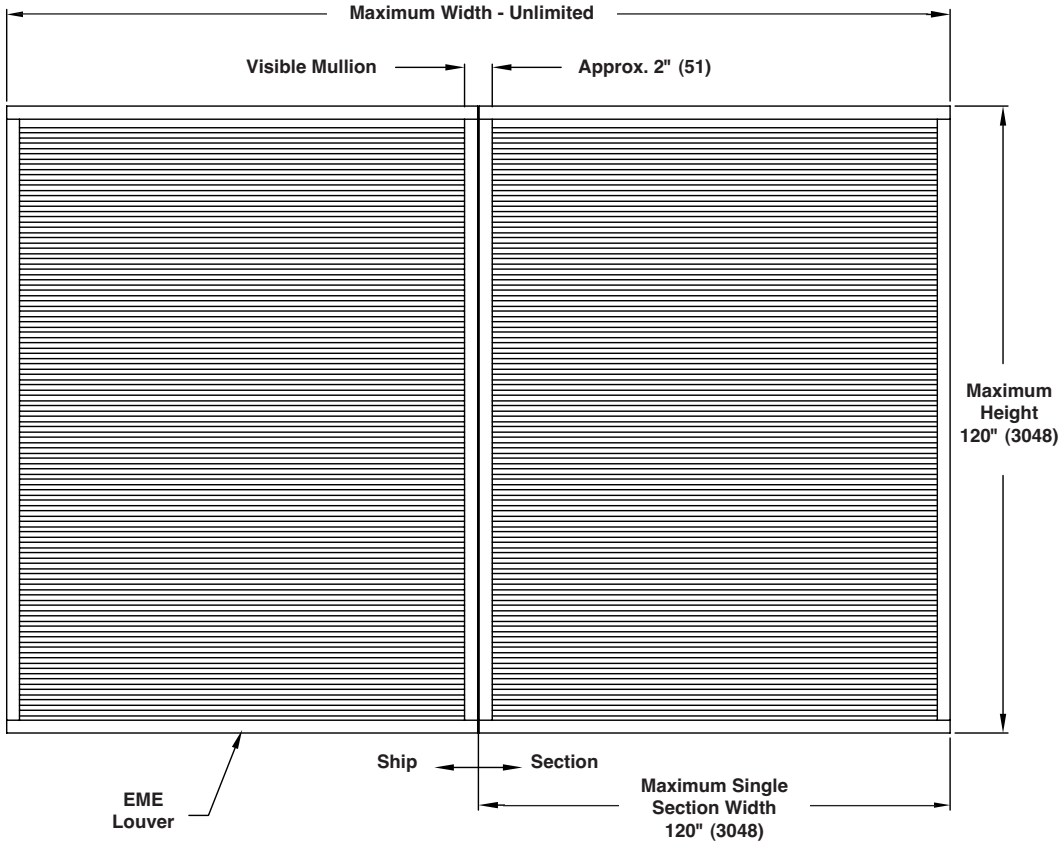
- Intake Discharge Loss Class 2

Discharge Loss Coefficient is calculated by dividing a louvers' actual airflow rate vs. a theoretical airflow for the opening. It provides an indication of the louvers' airflow characteristics.

Discharge Loss Classes:

Class	Discharge Loss Coefficient
1	0.4 and above
2	0.3 to 0.3

EME220DD CONSTRUCTION INFORMATION



1. Reference separate Installation Instruction sheets for installation details. It is the responsibility of the installing contractor to properly install the louvers per the appropriate detail.
2. Louvers wider than the maximum single section width will be shipped in multiple sections and will require field assembly. Field assembly is not by Ruskin.

RUSKIN[®]

3900 Dr. Greaves Rd.
Kansas City, MO 64030
(816) 761-7476
FAX (816) 765-8955
www.ruskin.com