

## ACL1245AFD STATIONARY ACOUSTICAL LOUVER MIAMI-DADE COUNTY APPROVED

MIAMI-DADE COUNTY, FLORIDA NOTICE OF ACCEPTANCE NUMBER: 17-1025.01 (EXPIRES 11/8/21)  
FORMED ALUMINUM

### STANDARD CONSTRUCTION

#### FRAME

12" (305) deep, .125" (3.175) aluminum channel.

#### BLADES

.081" (2.057) aluminum exterior surface, with .050" (1.27) perforated aluminum interior surface that covers insulation. Blades positioned at 45° angle and spaced approximately 12" (305) center to center.

#### ACOUSTICAL INSULATION

Ruskatherm blanket.

#### SCREEN

5/8" mesh x .040" (16 x 1) expanded flat-tened aluminum bird screen in removable frame. Screen adds approximately 1/2" (13) to louver depth.

#### FINISH

Mill.

#### MINIMUM SIZE

12"w x 24"h (305 x 609).

#### APPROXIMATE SHIPPING WEIGHT

7 lbs. per sq. ft.

#### MAXIMUM FACTORY ASSEMBLY SIZE

Shall be unlimited width x 120" (3048). Maxi-mum single section size shall be 60" x 120" (1524 x 3048). Louvers larger than the maximum single section size will require field assembly of smaller sections.



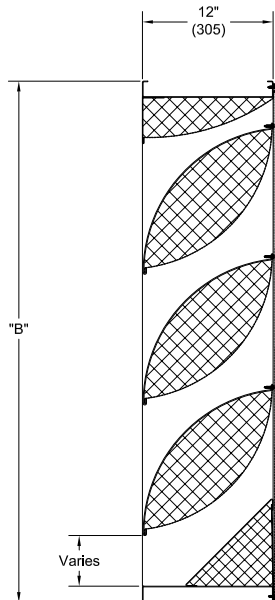
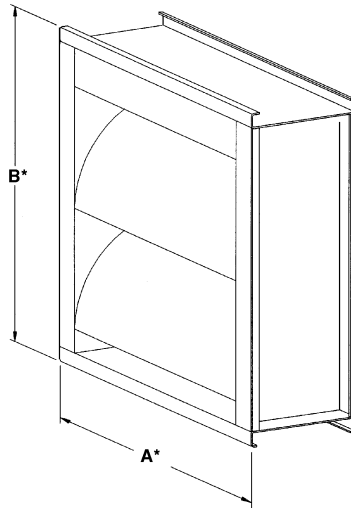
IMPACT RESISTANT LOUVER  
Basic Protection

See www.AMCA.org for all certified or listed products

This label does not signify AMCA airflow performance certification.

Ruskin certifies that the ACL1245AFD shown herein is approved to bear the AMCA Listing Label. The ratings shown are based on tests and procedures performed in accordance with AMCA Publications and comply with the requirements of the AMCA Listing Label Program.

The AMCA Listing Label applies to Wind Borne Debris Impact Resistant Louvers.



### FEATURES

The ACL1245AFD offers:

- 23% Free Area.
- Insulated blades which provide effective sound attenuation and weather protection.
- Published performance ratings based on testing in accordance with AMCA Publication 511.
- Architecturally pleasing appearance.

### VARIATIONS

Variations to the basic design of this louver are available at additional cost. They include:

- Extended sill.
- Front or rear security bars.
- Filter racks.
- A variety of bird and insect screens.
- Selection of finishes: prime coat, Pearldize, 50% PVDF (modified fluoropolymer), epoxy, 70% PVDF, clear and color anodize. (Some variation in anodize color consistency is possible.)

Octave Band/ Frequency (Hz)	Transmission Loss	Free Field Noise Reduction (db) Ruskatherm Blanket
2/125	6	12
3/250	5	11
4/500	10	16
5/1000	15	21
6/2000	13	19
7/4000	11	17
STC	12	
OITC	10	

STC stands for Sound Transmission Class  
OITC stands for Outside Indoor Transmission class

ACL1245AFD meets the requirements for the following:

- AMCA 540 Listed
- Miami-Dade NOA Approval 16-0627.10
- AMCA 500-L Tested

Dimensions in parenthesis ( ) indicate millimeters.

\*Units furnished 1/4" (6) smaller than given opening dimensions.

TAG	QTY.	SIZE		FRAME	VARIATIONS
		A*-WIDE	B*-HIGH		
PROJECT ARCH./ENGR. REPRESENTATIVE			LOCATION CONTRACTOR DATE		

## SUGGESTED SPECIFICATION

Furnish and install louvers as hereinafter specified where shown on plans or as described in schedules. Louvers shall be stationary acoustical type contained within a 12" (305) frame. Louver components (heads, jambs, sills, blades, and mullions) shall be factory assembled by the louver manufacturer. Louver sizes too large for shipping shall be built up by the contractor from factory assembled louver sections to provide overall sizes required. Louver design shall incorporate structural supports required to withstand a wind-load of 150 lbs. per sq. ft. (7.18kPa) - specifier may substitute any loading required).

Louvers shall be Ruskin Model ACL1245AFD construction as follows:

- Frame: .125" (3.175) aluminum channel.
- Blades: .081" (2.057) aluminum exterior surface, with .050" (1.27) perforated aluminum interior surface that covers insulation. Blades angle 45° on 12" (305) centers.
- Screen: 5/8" mesh x .040" (16 x 1) expanded flattened aluminum bird screen in removable frame.
- Finish: Select finish specification from Ruskin/Valspar Finishes Brochure.

Published louver performance data bearing the AMCA Certified Ratings Seal for Air Performance, Water Penetration and sound attenuation must be submitted for approval prior to fabrication and must demonstrate pressure drop equal to or less than the Ruskin model specified.

## PERFORMANCE DATA

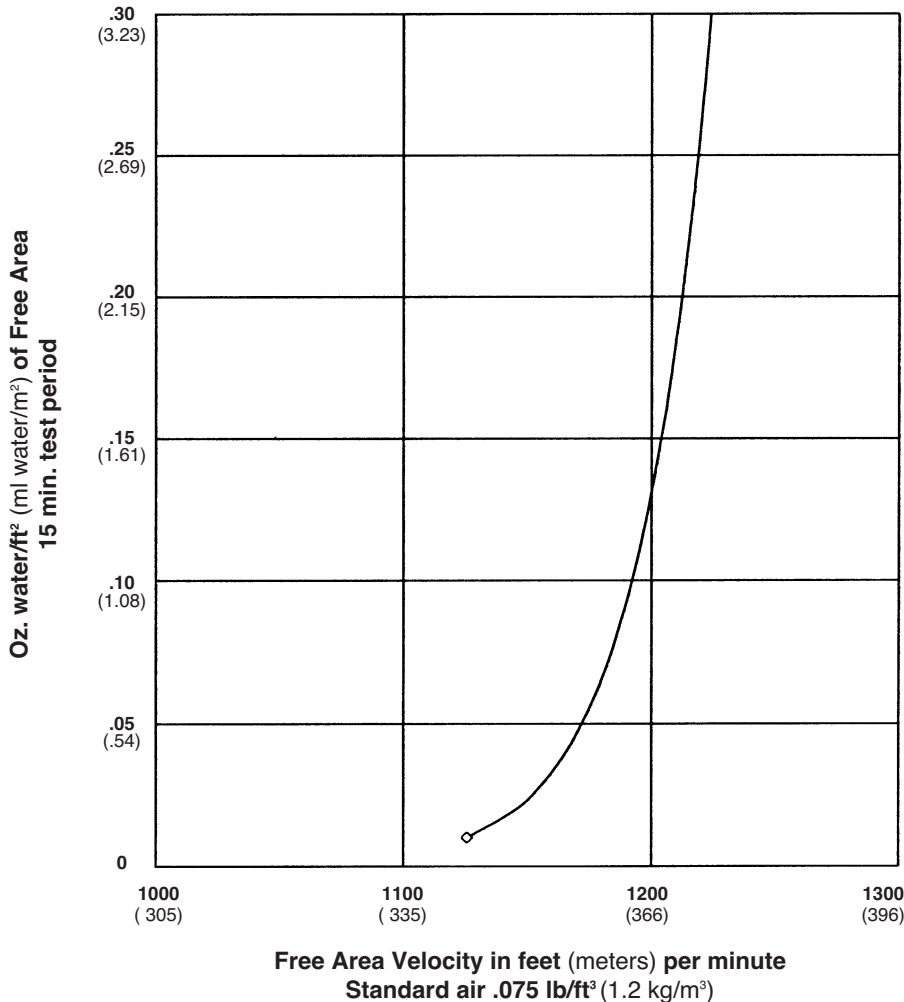
AMCA Standard 500 provides a reasonable basis for testing and rating louvers. Testing to AMCA 500 is performed under a certain set of laboratory conditions. This does not guarantee that other conditions will not occur in the actual environment where louvers must operate.

The louver system should be designed with a reasonable safety factor for louver performance. To ensure protection from water carry-over, design with a performance level somewhat below maximum desired pressure drop and .01 oz./sq. ft. of water penetration.

### WATER PENETRATION

Test size 48" wide x 48" high (1219 x 1219)

Beginning point of water penetration at .01 oz./sq. ft. is 1126 fpm (343 m/min).



Ruskin Company certifies that the ACL1245AFD louver shown herein is licensed to bear the AMCA Seal. The ratings shown are based on tests and procedures performed in accordance with AMCA Standard 511 and comply with the requirements of the AMCA Certified Ratings Program. AMCA Certified Ratings Seal applies to air performance ratings, water penetration and sound attenuation ratings only.

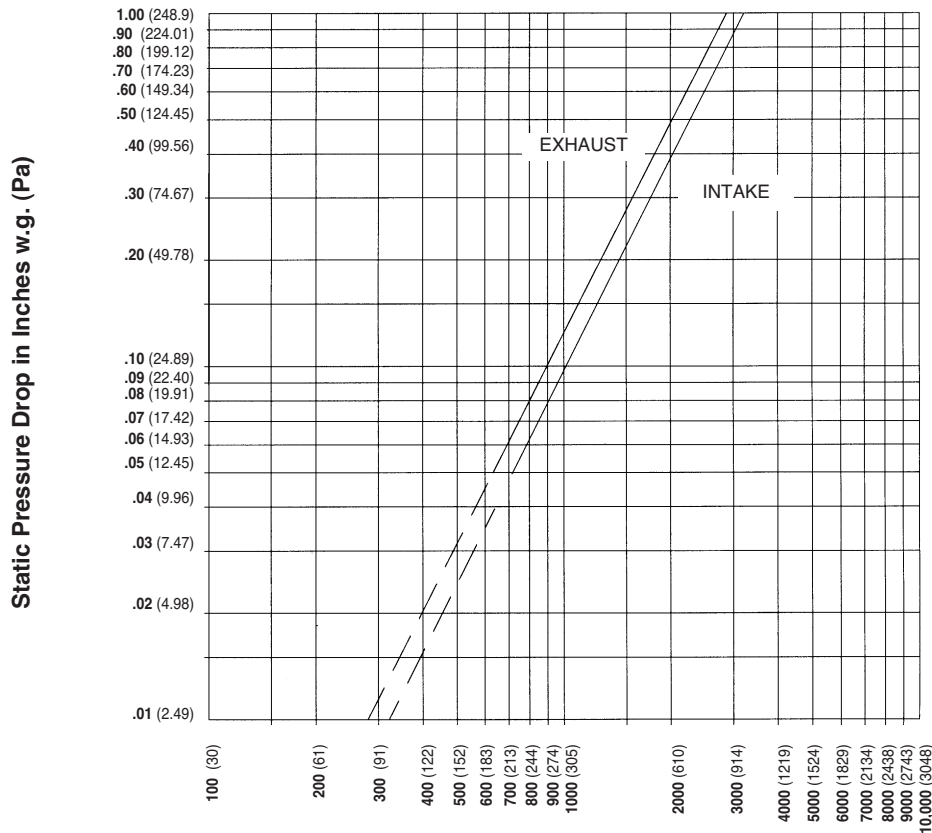
# FREE AREA GUIDE

Free Area Guide shows free area in ft<sup>2</sup> and m<sup>2</sup> for various sizes of ACL1245AFD  
Width – Inches and Meters

	12	18	24	30	36	42	48	54	60
	0.30	0.46	0.61	0.76	0.91	1.07	1.22	1.37	1.52
24	0.32	0.54	0.75	0.96	1.18	1.39	1.61	1.82	2.03
	0.61	0.03	0.05	0.07	0.09	0.11	0.13	0.15	0.19
30	0.47	0.78	1.09	1.40	1.71	2.02	2.33	2.64	2.95
	0.76	0.04	0.07	0.10	0.13	0.16	0.19	0.22	0.25
36	0.53	0.89	1.24	1.59	1.95	2.30	2.66	3.01	3.36
	0.91	0.05	0.08	0.12	0.15	0.18	0.21	0.25	0.28
42	0.68	1.13	1.58	2.03	2.48	2.93	3.38	3.83	4.28
	1.07	0.06	0.10	0.15	0.19	0.23	0.27	0.31	0.36
48	0.74	1.23	1.73	2.22	2.72	3.21	3.70	4.20	4.69
	1.22	0.07	0.11	0.16	0.21	0.25	0.30	0.34	0.39
54	0.89	1.48	2.07	2.66	3.25	3.84	4.43	5.02	5.61
	1.37	0.08	0.14	0.19	0.25	0.30	0.36	0.41	0.47
60	0.95	1.58	2.22	2.85	3.49	4.12	4.75	5.39	6.02
	1.52	0.09	0.15	0.21	0.27	0.32	0.38	0.44	0.50
66	1.10	1.83	2.56	3.29	4.02	4.75	5.48	6.21	6.94
	1.68	0.10	0.17	0.24	0.31	0.37	0.44	0.51	0.58
72	1.16	1.93	2.71	3.48	4.26	5.03	5.80	6.58	7.35
	1.83	0.11	0.18	0.25	0.32	0.40	0.47	0.54	0.61
78	1.31	2.18	3.05	3.92	4.79	5.66	6.53	7.40	8.27
	1.98	0.12	0.20	0.28	0.36	0.45	0.53	0.61	0.69
84	1.37	2.28	3.20	4.11	5.02	5.94	6.85	7.77	8.68
	2.13	0.13	0.21	0.30	0.38	0.47	0.55	0.64	0.72
90	1.52	2.53	3.54	4.55	5.56	6.57	7.58	8.59	9.60
	2.29	0.14	0.23	0.33	0.42	0.52	0.61	0.70	0.80
96	1.58	2.63	3.69	4.74	5.79	6.85	7.90	8.95	10.01
	2.44	0.15	0.24	0.34	0.44	0.54	0.64	0.73	0.83
102	1.63	2.71	3.80	4.88	5.97	7.05	8.13	9.22	10.30
	2.59	0.15	0.25	0.35	0.45	0.55	0.66	0.76	0.86
108	1.77	2.95	4.13	5.32	6.50	7.68	8.86	10.04	11.22
	2.74	0.16	0.27	0.38	0.49	0.60	0.71	0.82	0.93
114	1.76	2.93	4.10	5.27	6.44	7.61	8.78	9.95	11.12
	2.90	0.16	0.27	0.38	0.49	0.60	0.71	0.82	0.93
120	1.90	3.17	4.44	5.70	6.97	8.24	9.51	10.77	12.04
	3.05	0.18	0.29	0.41	0.53	0.65	0.77	0.88	1.00

Height – Inches and Meters

## PRESSURE DROP



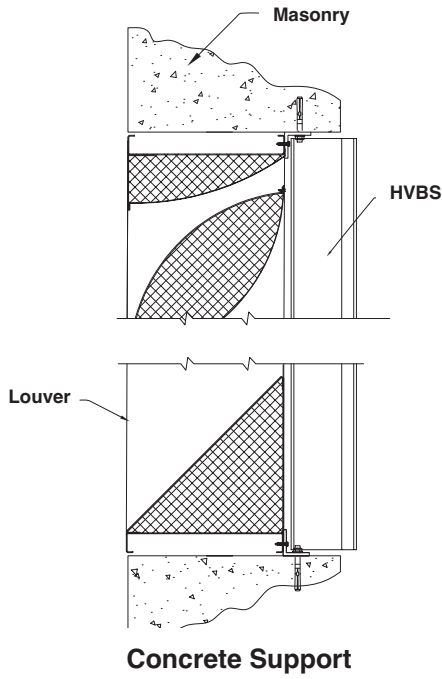
Ratings do not include the effect of a bird screen.

**Air Velocity in feet and (meters) per minute through Free Area**

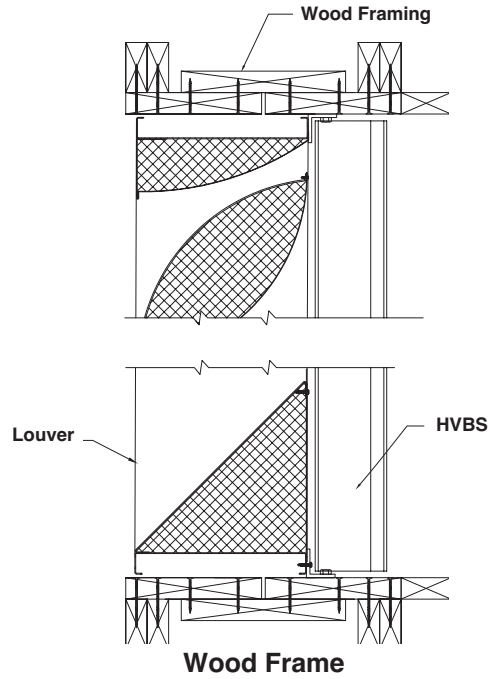
(Data corrected to standard air density and AMCA figure or figures tested to 5.5)

# TYPICAL INSTALLATION DETAILS

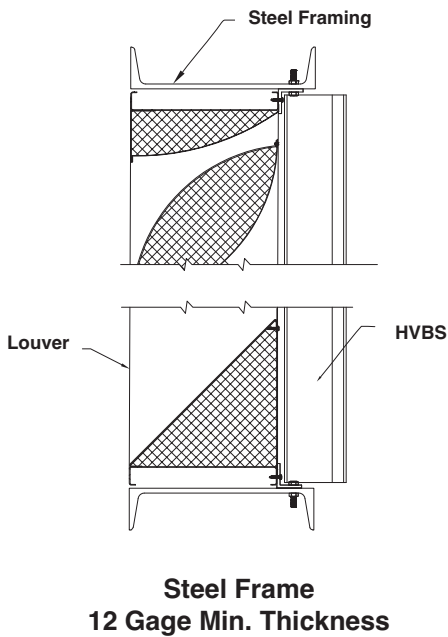
## Masonry Wall



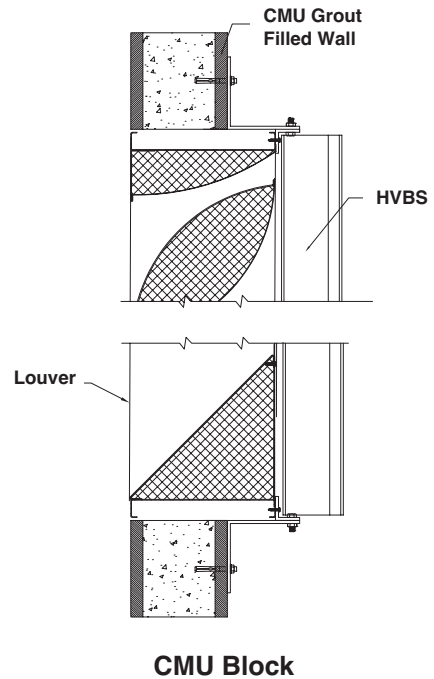
## Wood Installation



## Metal Panel Wall



## CMU Wall



Accessories at additional cost.

**RUSKIN**®

3900 Dr. Greaves Rd.  
Kansas City, MO 64030  
(816) 761-7476  
FAX (816) 765-8955  
www.ruskin.com