

IBDT, T1 AND T2 STYLE A AND B THINLINE CURTAIN TYPE STATIC FIRE DAMPERS 1 1/2 HOUR RATING FOR USE IN STATIC SYSTEMS

APPLICATION

The Model IBDT is a thinline fire damper that can be installed vertically in walls and partitions or horizontally in masonry floors with fire resistance ratings of less than 3 hours. The IBDT carries a 1 1/2 hour UL fire damper label and is classified as a static damper for use in HVAC systems that shut down during a fire.

STANDARD CONSTRUCTION

FRAME

Galvanized steel: (in gauges required by U.L. Listing)

BLADES

Galvanized steel: (in gauges required by U.L. Listing)

CLOSURE SPRINGS (HORIZONTAL ONLY)

301 stainless steel constant force type.

FUSIBLE LINK

165°F (74°C) is standard. 212°F (100°C) is available.

DAMPER SIZES

MINIMUM SIZE

Vertical Installation – 4"w x 4"h (102 x 102)
Horizontal Installation – 6"w x 6"h (152 x 152)

MAXIMUM SIZE

Single Section
Vertical Installation – 40"w x 48"h (1016 x 1219)
Horizontal Installation – 36"w x 36"h (914 x 914)

OPTIONS

- **Switch Package** to remotely indicate damper blade position.
- **FAST Angle** for one side angle installation.
- **Sleeve** of various lengths and gauges to insure field compliance with UL installation requirements.
- **FireStop Caulk Installation.**

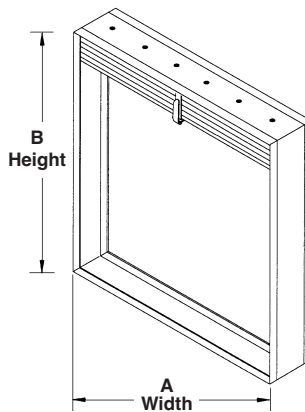
Dimensions shown in parentheses () indicate millimeters.

Model IBDT meets the requirements for fire, dampers established by:

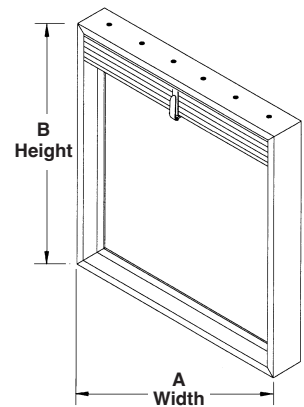
- **National Fire Protection Association NFPA Standards** 80, 90A, 92A, 92B and 101
- **ICC International Building Codes**
- **CSFM California State Fire Marshal Fire Damper Listing** (#3225-245:0005)
- **New York City (MEA 450-06-M)**

UL CLASSIFIED

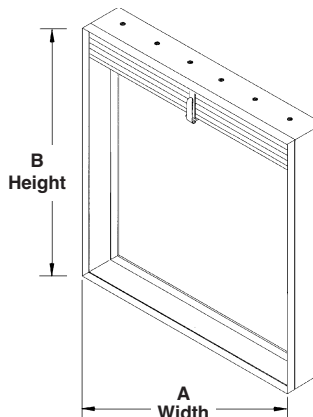
UL555 Listing R5531



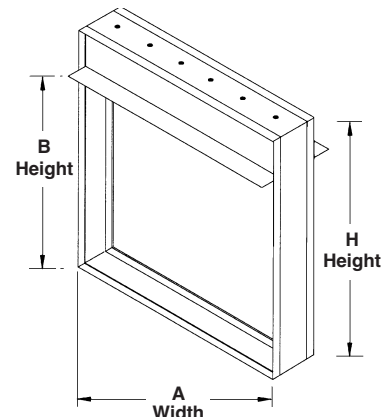
IBDT STYLE A



IBDT2 STYLE A

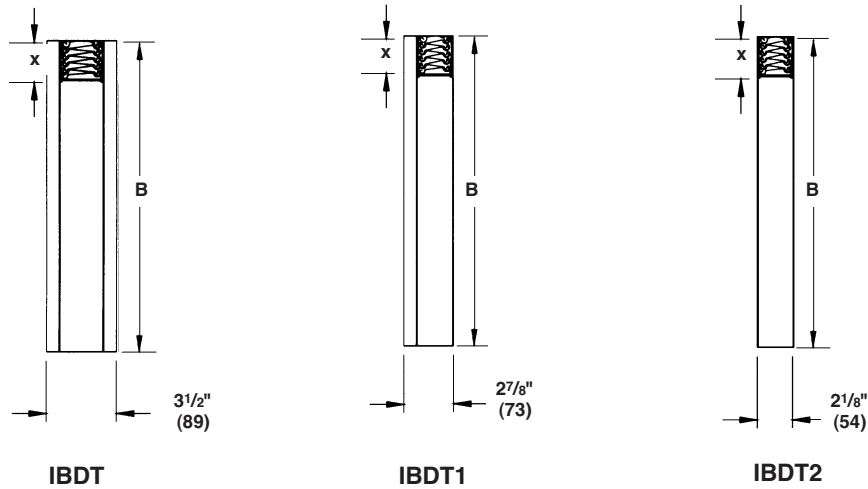


IBDT1 STYLE A



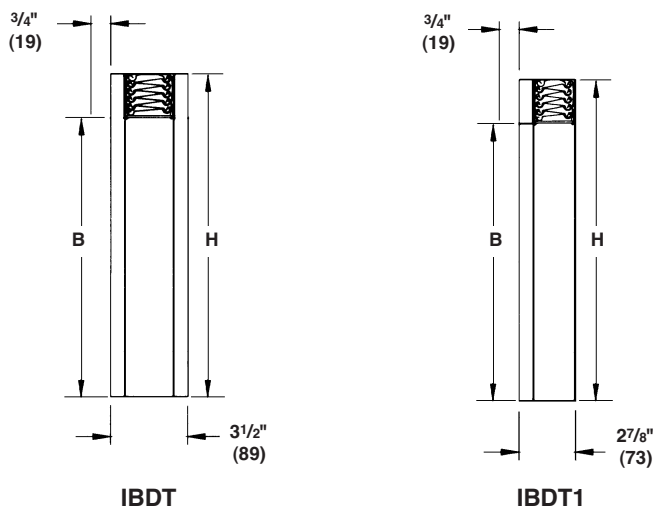
IBDT STYLE B

STYLE A DIMENSIONS



B		X	
4	(102)	1 ⁵ / ₈	(41)
5	(127)	1 ⁷ / ₈	(48)
6	(152)	1 ⁷ / ₈	(48)
7	(178)	2	(51)
8	(203)	2 ¹ / ₄	(57)
9	(229)	2 ¹ / ₂	(63)
10	(254)	2 ³ / ₄	(69)
11	(279)	3	(76)
12	(305)	3 ¹ / ₄	(83)
13	(330)	3 ¹ / ₂	(89)
14	(356)	3 ¹ / ₂	(89)
15	(381)	3 ⁵ / ₈	(92)
16	(406)	3 ⁷ / ₈	(98)
17	(432)	4 ¹ / ₈	(105)
18	(457)	4 ³ / ₈	(111)
19	(483)	4 ⁵ / ₈	(117)
20	(508)	4 ⁷ / ₈	(124)
21	(533)	5	(127)
22	(559)	5 ¹ / ₄	(133)
23	(584)	5 ¹ / ₄	(133)
24	(610)	5 ¹ / ₂	(140)
25	(635)	5 ³ / ₄	(146)
26	(660)	5 ⁷ / ₈	(149)
27	(686)	6 ¹ / ₈	(156)
28	(711)	6 ³ / ₈	(162)
29	(737)	6 ⁵ / ₈	(168)
30	(762)	6 ⁷ / ₈	(175)
31	(787)	7	(178)
32	(813)	7	(178)
33	(838)	7 ¹ / ₄	(184)
34	(864)	7 ¹ / ₂	(190)
35	(889)	7 ³ / ₄	(197)
36	(914)	8	(203)
37	(940)	8 ¹ / ₈	(206)
38	(965)	6	(213)
39	(991)	8 ⁵ / ₈	(219)
40	(1016)	8 ⁵ / ₈	(219)
41	(1041)	8 ⁷ / ₈	(225)
42	(1067)	9	(229)
43	(1082)	9 ¹ / ₄	(235)
44	(1118)	9 ¹ / ₂	(241)
45	(1143)	9 ³ / ₄	(248)
46	(1168)	10	(254)
47	(1194)	10 ¹ / ₄	(260)
48	(1219)	10 ³ / ₈	(264)

STYLE B DIMENSIONS



B		H	
4	(102)	5 ³ / ₄	(146)
5	(127)	6 ³ / ₄	(171)
6	(152)	7 ³ / ₄	(197)
7	(178)	8 ³ / ₄	(222)
8	(203)	10 ³ / ₄	(273)
9	(229)	11 ³ / ₄	(298)
10	(254)	12 ³ / ₄	(323)
11	(279)	13 ³ / ₄	(349)
12	(305)	14 ³ / ₄	(375)
13	(330)	16 ³ / ₄	(425)
14	(356)	17 ³ / ₄	(451)
15	(381)	18 ³ / ₄	(476)
16	(406)	20 ³ / ₄	(527)
17	(432)	21 ³ / ₄	(552)
18	(457)	22 ³ / ₄	(578)
19	(483)	23 ³ / ₄	(603)
20	(508)	24 ³ / ₄	(628)
21	(533)	26 ³ / ₄	(679)
22	(559)	27 ³ / ₄	(705)
23	(584)	28 ³ / ₄	(730)
24	(610)	30 ³ / ₄	(781)
25	(635)	31 ³ / ₄	(806)
26	(660)	32 ³ / ₄	(832)
27	(686)	33 ³ / ₄	(857)
28	(711)	34 ³ / ₄	(883)
29	(737)	36 ³ / ₄	(933)
30	(762)	37 ³ / ₄	(959)
31	(787)	38 ³ / ₄	(984)
32	(813)	39 ³ / ₄	(1010)
33	(838)	40 ³ / ₄	(1035)
34	(864)	42 ³ / ₄	(1086)
35	(889)	43 ³ / ₄	(1111)
36	(914)	44 ³ / ₄	(1137)
37	(940)	45 ³ / ₄	(1162)
38	(965)	47 ¹ / ₄	(1200)

Dimensions shown in parentheses () indicate millimeters.

RUSKIN®

3900 Dr. Greaves Rd.
 Kansas City, MO 64030
 (816) 761-7476
 FAX (816) 765-8955
 www.ruskin.com