



DEPARTMENT OF REGULATORY AND ECONOMIC RESOURCES (RER)
BOARD AND CODE ADMINISTRATION DIVISION

NOTICE OF ACCEPTANCE (NOA)

MIAMI-DADE COUNTY
PRODUCT CONTROL SECTION
11805 SW 26 Street, Room 208
Miami, Florida 33175-2474
T (786) 315-2590 F (786) 315-2599
www.miamidade.gov/economy

Ruskin Company
3900 Dr. Greaves Road
Grandview, MO 64030

SCOPE:

This NOA is being issued under the applicable rules and regulations governing the use of construction materials. The documentation submitted has been reviewed and accepted by Miami-Dade County RER-Product Control Section to be used in Miami Dade County and other areas where allowed by the Authority Having Jurisdiction (AHJ).

This NOA shall not be valid after the expiration date stated below. The Miami-Dade County Product Control Section (In Miami Dade County) and/or the AHJ (in areas other than Miami Dade County) reserve the right to have this product or material tested for quality assurance purposes. If this product or material fails to perform in the accepted manner, the manufacturer will incur the expense of such testing and the AHJ may immediately revoke, modify, or suspend the use of such product or material within their jurisdiction. RER reserves the right to revoke this acceptance, if it is determined by Miami-Dade County Product Control Section that this product or material fails to meet the requirements of the applicable building code.

This product is approved as described herein, and has been designed to comply with the Florida Building Code, including the High Velocity Hurricane Zone.

DESCRIPTION: Model ACL645D Aluminum Louver

APPROVAL DOCUMENT: Drawing No. **60-022202**, titled "ACL645D Louver", sheets 1 through 6 of 6, dated 03/30/2011, with revision A dated 07/17/2013, prepared by Ruskin Company, signed and sealed by Daniel J. Rau, P.E., bearing the Miami-Dade County Product Control renewal stamp with the Notice of Acceptance number and expiration date by the Miami-Dade County Product Control Section.

MISSILE IMPACT RATING: Large and Small Missile Impact Resistant

LABELING: Each unit shall bear a permanent label with the manufacturer's name or logo, Geneva, AL, model/series, and following statement: "Miami-Dade County Product Control Approved", unless otherwise noted herein.

RENEWAL of this NOA shall be considered after a renewal application has been filed and there has been no change in the applicable building code negatively affecting the performance of this product.

TERMINATION of this NOA will occur after the expiration date or if there has been a revision or change in the materials, use, and/or manufacture of the product or process. Misuse of this NOA as an endorsement of any product, for sales, advertising or any other purposes shall automatically terminate this NOA. Failure to comply with any section of this NOA shall be cause for termination and removal of NOA.

ADVERTISEMENT: The NOA number preceded by the words Miami-Dade County, Florida, and followed by the expiration date may be displayed in advertising literature. If any portion of the NOA is displayed, then it shall be done in its entirety.

INSPECTION: A copy of this entire NOA shall be provided to the user by the manufacturer or its distributors and shall be available for inspection at the job site at the request of the Building Official.

This NOA renews NOA # **13-0521.09** and consists of this page 1 and evidence page E-1, as well as approval document mentioned above.

The submitted documentation was reviewed by **Carlos M. Utrera, P.E.**



[Handwritten Signature]
09/01/2016

NOA No. 16-0627.11
Expiration Date: April 28, 2021
Approval Date: September 8, 2016
Page 1

NOTICE OF ACCEPTANCE: EVIDENCE SUBMITTED

A. DRAWINGS “Submitted under NOA # 13-0521.09”

1. Drawing No. **60-022202**, titled “ACL645D Louver”, sheets 1 through 6 of 6, dated 03/30/2011, with revision A dated 07/17/2013, prepared by Ruskin Company, signed and sealed by Daniel J. Rau, P.E.

B. TESTS “Submitted under NOA # 11-0207.20”

1. Test reports on 1) Uniform Static Air Pressure Test, Loading per FBC TAS 202-94
2) Large Missile Impact Test per FBC, TAS 201-94
3) Cyclic Wind Pressure Loading per FBC, TAS 203-94
along with marked-up drawings and installation diagram of Series ACL645D Aluminum Louvers”, prepared by National Certified Testing Laboratories, Report No. **210-3711-1**, dated 11/05/2010, signed and sealed by Gerald J. Ferrara, P.E.

C. CALCULATIONS “Submitted under NOA # 11-0207.20”

1. Anchor verification calculations and structural analysis, complying with FBC-2007, prepared by Ruskin Company, dated 01/07/2011, signed and sealed by William J. Mossie, P.E.

D. QUALITY ASSURANCE

1. Miami-Dade Department of Regulatory and Economic Resources (RER)

E. MATERIAL CERTIFICATIONS

1. Test report on impact test per AMCA 540 of an ACL645D Acoustical louver, prepared by Ruskin Company, Test Report No. **082412B**, dated 08/24/2012, signed and sealed by Daniel J. Rau, P.E.

F. STATEMENTS

1. Statement letter of code conformance to the 5th edition (2014) FBC issued by Ruskin Company, dated 06/14/2016, signed and sealed by Daniel J. Rau, P.E.

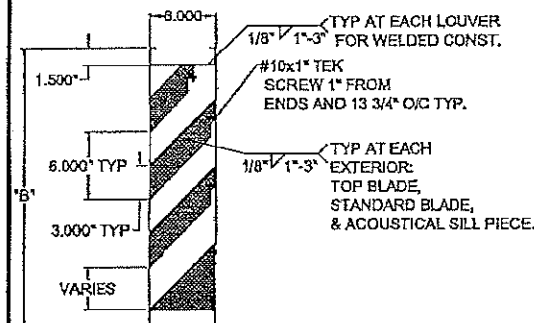
“Submitted under NOA # 13-0521.09”
2. Statement letter of no financial interest, issued by Ruskin Company, dated 07/17/2013, signed and sealed by Daniel J. Rau, P.E.



Carlos M. Utrera, P.E.
Product Control Examiner
NOA No. 16-0627.11

Expiration Date: April 28, 2021
Approval Date: September 8, 2016

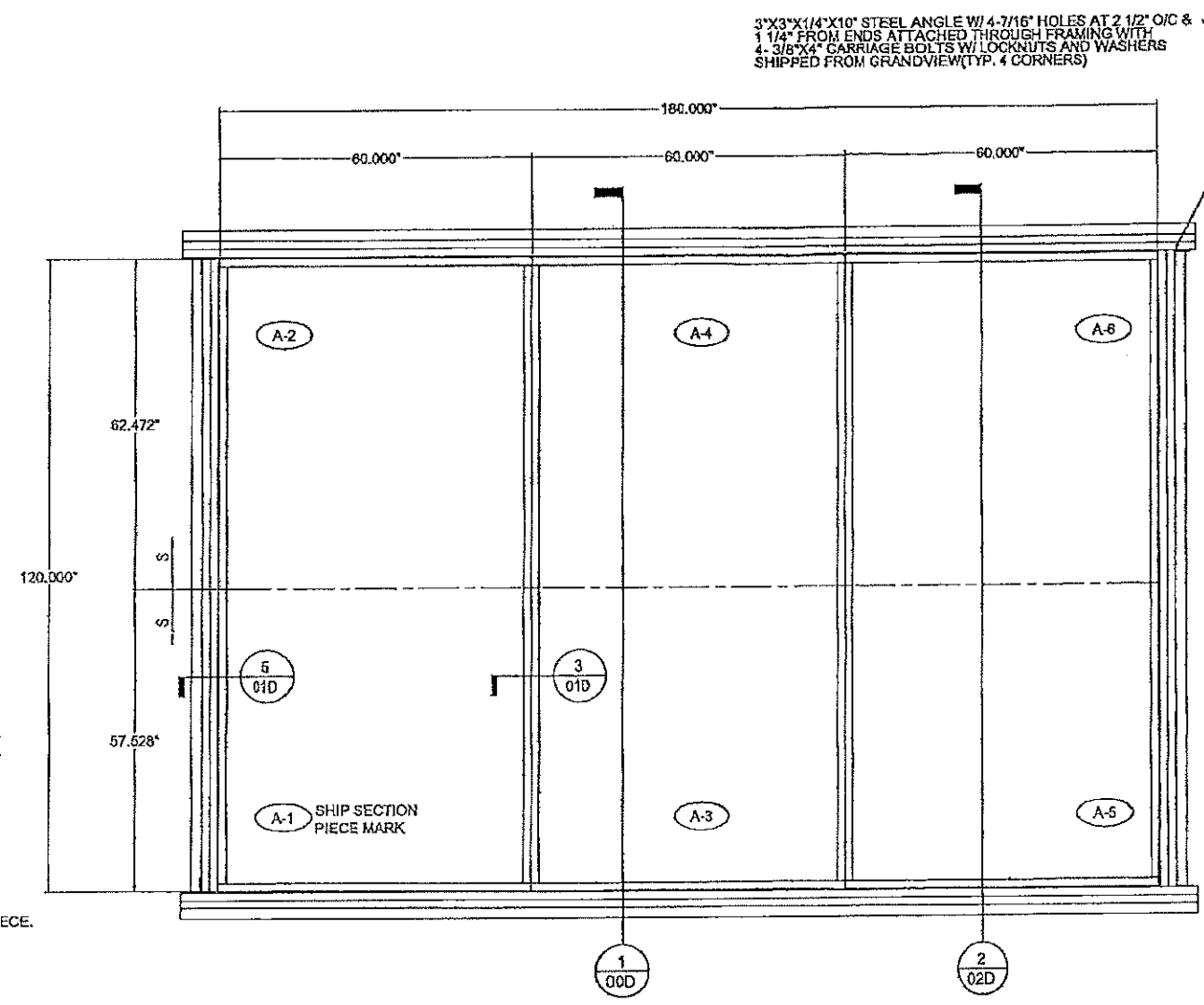
FRAME	
Formed .125" aluminum channel.	
BLADES	
Formed .081" aluminum exterior w/ .050" perforated aluminum interior surface.	
4" Thick Mineral Wool Blanket 4 # Density.	
SCREEN	
1/2" mesh x 19 ga galv bird screen.	
5/8" x .040" expanded flattened aluminum bird screen.	
1/2" mesh x .063" aluminum bird screen.	
18-16 mesh al. insect screen.	
No screen.	
FINISH	
Alclad	
Kynar (opt).	
Baked enamel (modified fluoropolymer, 50% Kynar, opt).	
Color anodize (opt).	
Clear anodize (opt).	
ACCESSORIES (opt)	
Flange frame.	
Extended sill.	
Clip angles.	
Blankoff panel.	



ACL645D

NOTES:

- 1) THE ACL645D HAS BEEN TESTED IN ACCORDANCE WITH MIAMI-DADE COUNTY PROTOCOLS TAS-201, 202 & 203 FOR LARGE MISSILE IMPACT, UNIFORM PRESSURE AND CYCLIC WIND PRESSURE.
- 2) THIS LOUVER SYSTEM IS APPROVED FOR APPLICATIONS WITH DESIGN PRESSURES OF 47- 150 PSF OR LESS.
- 3) THIS LOUVER SYSTEM IS NON-BEARING AND IS NOT DESIGNED TO WITHSTAND BUILDING DEAD LOADS.
- 4) LOUVER ANCHORS ARE REVIEWED FOR ATTACHMENT INTO STEEL, CONCRETE, MASONRY OR TIMBER SUBSTRUCTURE. MINIMUM EDGE DISTANCE AND EMBEDMENT REQUIREMENTS ARE SHOWN. RUSKIN DOES NOT DETERMINE THE STRUCTURAL INTEGRITY OF THE SUB-STRUCTURE.
- 5) MAXIMUM SINGLE SECTION SIZE: 60" WIDE X 120" HIGH.
- 7) MAXIMUM ASSEMBLED LOUVER SIZE: UNLIMITED WIDE X 120" HIGH. MAX. MULLION SPACING IS 60".
- 8) SECTIONS OR ASSEMBLIES MAY BE STACKED VERTICALLY PROVIDING A SUITABLE STRUCTURAL SUPPORT IS DESIGNED AND INSTALLED BY OTHERS TO SUPPORT ALL LOADS TRANSFERRED FROM THE LOUVER.
- 9) THIS LOUVER IS TO BE INSTALLED IN A LOCATION WHERE THE ROOM BEHIND THE LOUVER IS DESIGNED TO DRAIN WATER PENETRATING INTO THE ROOM, AND THE ROOM WILL HOUSE WATER RESISTANT/WATER PROOF EQUIPMENT, COMPONENTS, OR SUPPLIES.



ASSEMBLY 'A'
N.T.S.
3-ASSEMBLIES REQUIRED WITH 6-SHIP SECTIONS
FRONT VIEW

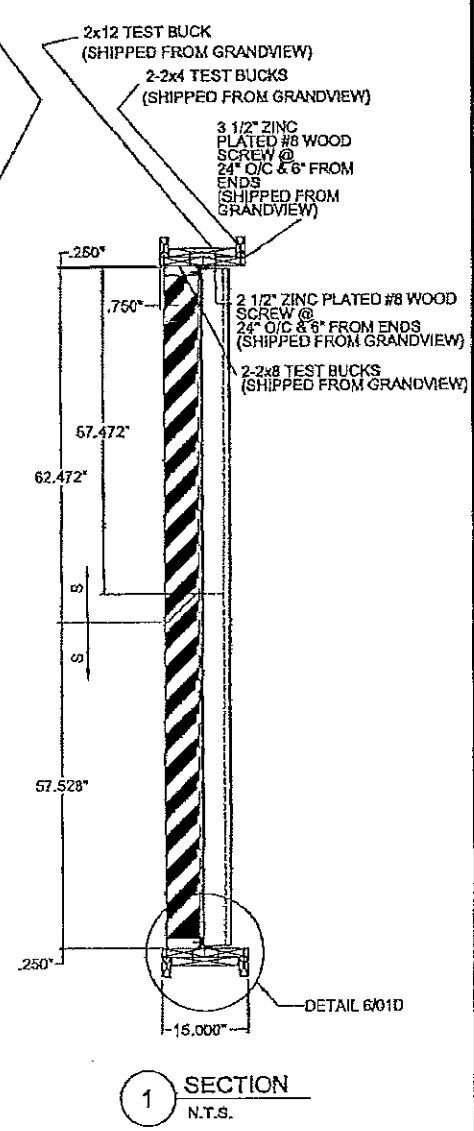
DRAWING INDEX:

60-022202-00D	ACL645D TEST LOUVER - SPEC, ASSY AND NOTES
Drawing 1 of 6.	
60-022202-01D	ACL645D TEST LOUVER - SECTION AND DETAILS
Drawing 2 of 6.	
60-022202-02D	ACL645D TEST LOUVER - SECTION AND DETAILS
Drawing 3 of 6.	
60-022202-03D	ACL645D TEST LOUVER - SECTION AND DETAILS
Drawing 4 of 6.	
60-022202-04D	ACL645D TEST LOUVER - PART DETAILS
Drawing 5 of 6.	
60-022202-05D	ACL645D TEST LOUVER - PART DETAILS
Drawing 6 of 6.	

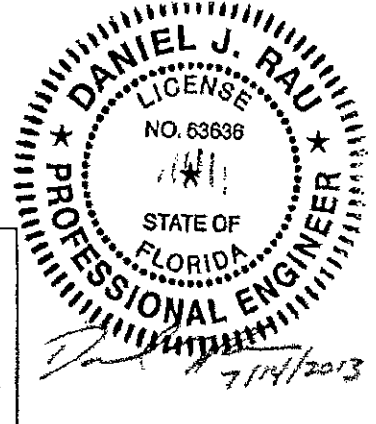
TESTS PERFORMED:
TAS-201 LARGE MISSILE IMPACT
TAS-202 UNIFORM STATIC AIR PRESSURE TEST
TAS-203 CYCLIC WIND PRESSURE TEST
DESIGN PRESSURE RATING 150 PSF

PRODUCT RENEWED
as complying with the Florida Building Code
Acceptance No 13-0521-09
Expiration Date 04/28/2021
NOA-No. 16-0627.11
Expiration Date 04/28/2021
By *[Signature]*
Miami-Dade Product Control

FOR OFFICE USE ONLY



1 SECTION
N.T.S.



ENGINEER OF RECORD:
DANIEL J. RAU
ENGINEERING DISCIPLINE:
CIVIL ENGINEER
STATE OF FLORIDA #63636

REV.	DESCRIPTION	DATE	CHKD BY	APPD BY
A	REVISED NOTES, DRAWING INDEX & ENGINEER OF RECORD	07/17/13	RJP	DJR

NOTE:
1) ALL DIMENSIONS ARE GIVEN IN INCHES.
2) ALL EXPOSED SURFACES MUST BE FREE OF DIE LINES.
3) ALUMINUM ASSOCIATION TOLERANCES APPLY UNLESS OTHERWISE SPECIFIED.
4) " " EXTRUDER SPECIFIC ID MARK. .008R X .008DP

TOLERANCES UNLESS SPECIFIED OTHERWISE:
3 PLACE .XXX.XXX
2 PLACE .XX.XX
ANGLE DIMENSIONS ± .4°
USE W10-07 & 08

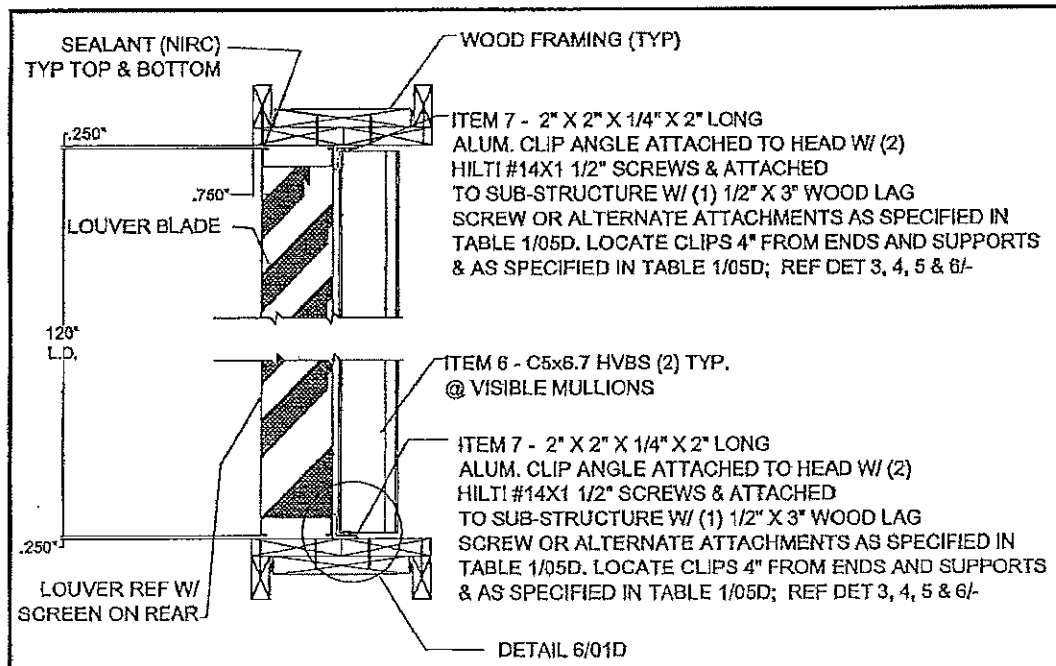
THIS INFORMATION DISCLOSED HEREIN WAS ORIGINATED BY AND IS THE PROPERTY OF RUSKIN INDUSTRIES, AND EXCEPT FOR USES EXPRESSLY GRANTED TO THE UNITED STATES GOVERNMENT, RUSKIN INDUSTRIES RESERVES ALL PATENT, PROPRIETARY, DESIGN, USE, SALE, MANUFACTURING AND REPRODUCTION RIGHTS THEREIN. THIS DOES NOT APPLY TO ANY VENDOR PARTS.

CTR	CENTER	OC	ON CENTER
CL	CENTER LINE	OD	OUTSIDE DIAMETER
C-C	CENTER TO CENTER	OR	OUTSIDE RADIUS
CHAM	CHAMFER	PI	POINT OF INTERSECTION
DAT	DATUM	R	FULL RADIUS
DET	DETAIL	REF	REFERENCE
E-SE	END TO END	SYM	SYMMETRICAL
EXP	EXPOSED	TAN	TANGENT
ID	INSIDE DIAMETER	TYP	TYPICAL
IR	INSIDE RADIUS		

RUSKIN SWARTWOUT

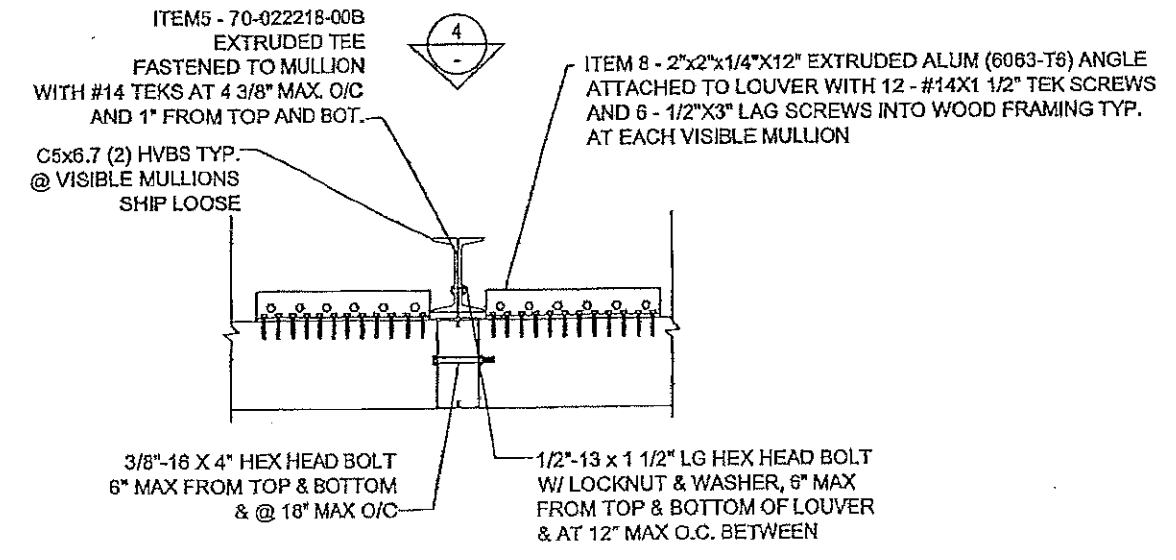
3500 DR. GREAVES RD
GRANDVIEW, MO 64030
PH: (816) 761-7474 & FAX: (816) 763-8102

AREA	EST. PER.	EST. WT/FT.
ALLOY & TEMPER	UNSPEC. RADII	UNSPEC. WALL
DWN: WJM	CRK:	APPY:
DATE: 03-30-2011	DATE:	DATE:
PART DESC. ACL645D LOUVER SPECS, ASSYS AND NOTES: DRAWING 1 OF 6		
SCALE: NTS	EQN: -	DATE:
DWG No.	60 - 022202 - 00D	

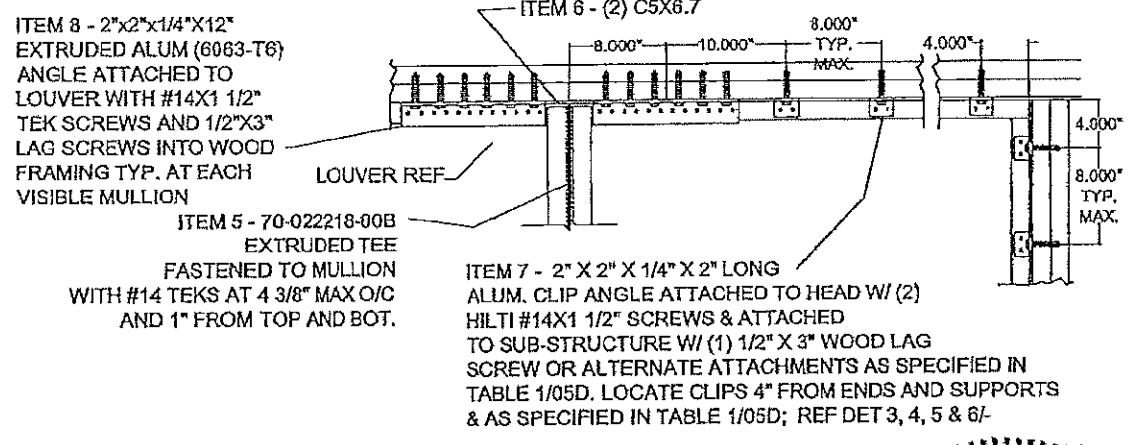


2 LOUVER DETAIL @ HEAD & SILL
00D N.T.S.

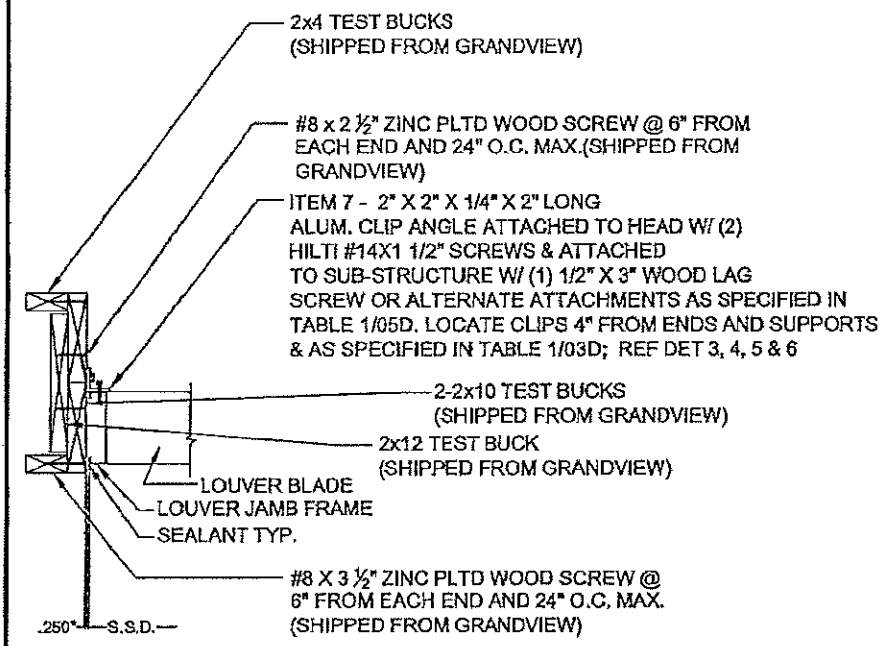
PRODUCT RENEWED
as complying with the Florida
Building Code
NOA-No. **16-0627.11**
Expiration Date **04/28/2021**
By *[Signature]*
Miami-Dade Product Control



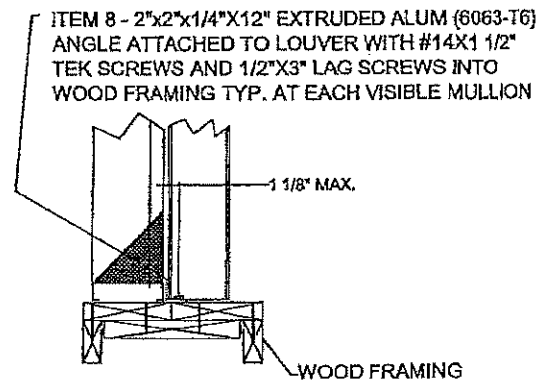
3 MULLION DETAIL
N.T.S.



4 MULLION REAR ELEVATION & CORNER DETAIL
00D N.T.S.



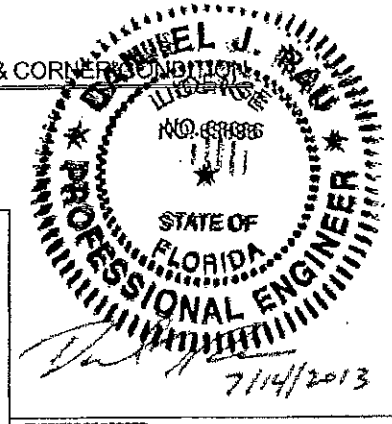
5 LOUVER DETAIL @ JAMB
00D N.T.S.



6 SILL DETAIL @ WOOD FRAME (HEAD SIM)
01D N.T.S.

FOR OFFICE USE ONLY

PRODUCT REVISED
as complying with the Florida
Building Code
Acceptance No **13-0521.09**
Expiration Date **04/28/2016**
By *[Signature]*
Miami-Dade Product Control



ENGINEER OF RECORD:
DANIEL J. RAU
ENGINEERING DISCIPLINE:
CIVIL ENGINEER
STATE OF FLORIDA #63636

REV.	DESCRIPTION	DATE	REV'D BY	CHK'D BY	APP'D BY
A	REVISED ENGINEER OF RECORD	07/17/13			

NOTE:
1) ALL DIMENSIONS ARE GIVEN IN INCHES.
2) ALL EXPOSED SURFACES MUST BE FREE OF DIE LINES.
3) ALUMINUM ASSOCIATION TOLERANCES APPLY UNLESS OTHERWISE SPECIFIED.
4) * EXTRUDER SPECIFIC ID MARK. 008R x .008DP

USE W60-07 & 08

CTR	CENTER	OC	ON CENTER
CL	CENTER LINE	OD	OUTSIDE DIAMETER
CC	CENTER TO CENTER	OR	OUTSIDE RADIUS
CHAM	CHAMFER	PI	POINT OF INTERSECTION
DAT	DATUM	R	RADIUS
DET	DETAIL	REF	REFERENCE
E-E	END TO END	SYM	SYMMETRICAL
EXP	EXPOSED	TAN	TANGENT
ID	INSIDE DIAMETER	TYP	TYPICAL
IR	INSIDE RADIUS		

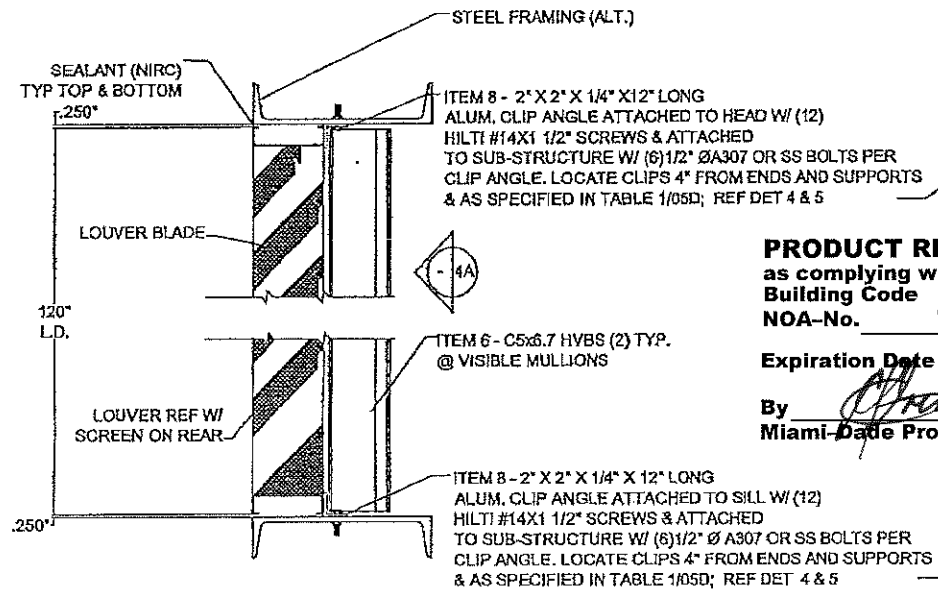
RUSKIN SWARTWOUT
3900 DR. GREAVES RD
GRANDVIEW, MO 64030
PH: (816) 781-7476 FAX: (816) 783-8102

AREA	EST. PER.	EST. WT/FT.
ALLOY & TEMPER	UNSPEC. RADII	UNSPEC. WALL
OWN: WJM	CHK: []	APPV: []
DATE: 03/30/2011	DATE: []	DATE: []

PART DESC.
ACL645D LOUVER
SECTION AND DETAILS: DRAWING 2 of 6

SCALE: NTS EGN: - DATE:
DWG No. **60-022202-01D**

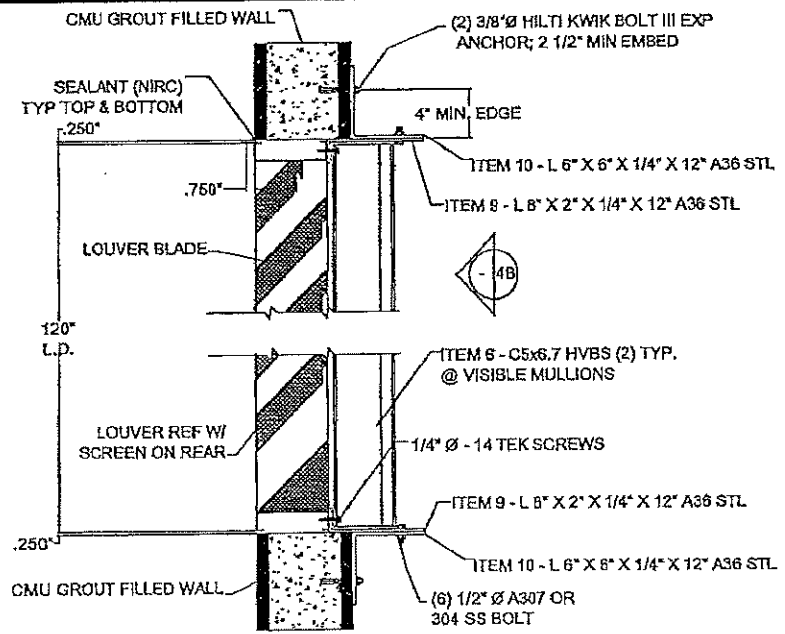
THIS INFORMATION DISCLOSED HEREIN WAS ORIGINATED BY AND IS THE PROPERTY OF RUSKIN INDUSTRIES, AND EXCEPT FOR USES EXPRESSLY GRANTED TO THE UNITED STATES GOVERNMENT, RUSKIN INDUSTRIES RESERVES ALL PATENT, PROPRIETARY, DESIGN, USE, SALE, MANUFACTURING AND REPRODUCTION RIGHTS THEREIN. THIS DOES NOT APPLY TO ANY VENDOR PARTS.



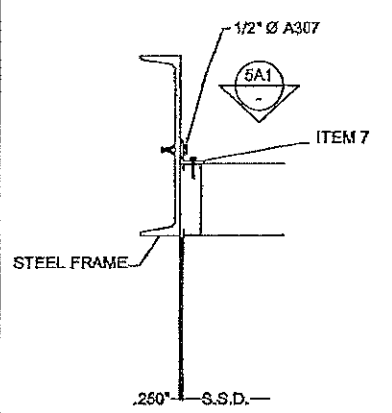
2A
00D N.T.S.
LOUVER DETAIL @ HEAD & SILL
STRUCTURE - STEEL FRAME
12 GAUGE MIN. THICKNESS

PRODUCT REVISED
as complying with the Florida
Building Code
NOA-No. **16-0627.11**
Expiration Date **04/28/2021**
By *[Signature]*
Miami Dade Product Control

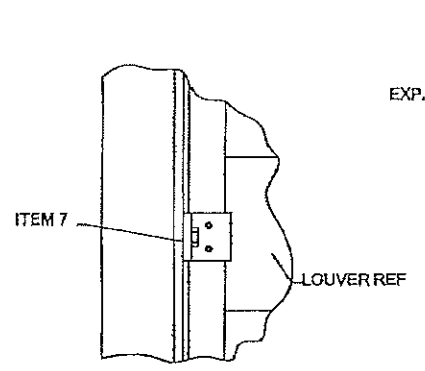
4A
00D N.T.S.
MULLION REAR ELEVATION
STRUCTURE - STEEL FRAME
12 GAUGE MIN. THICKNESS



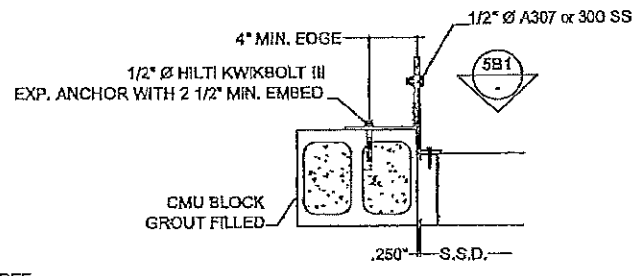
2B
00D N.T.S.
LOUVER DETAIL @ HEAD & SILL
ALT. STRUCTURE - CMU BLOCK



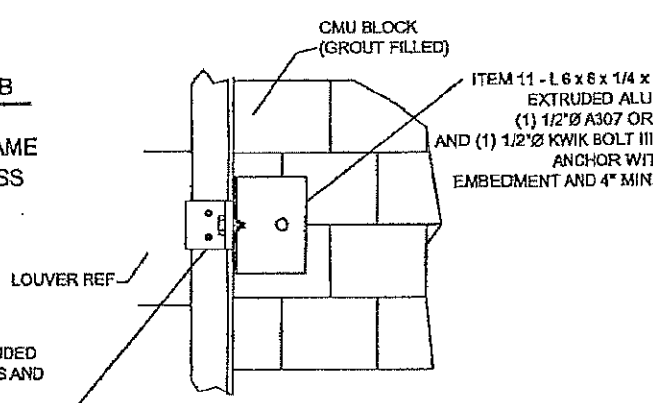
5A
00D N.T.S.
LOUVER DETAIL @ JAMB
STRUCTURE - STEEL FRAME
12 GAUGE MIN. THICKNESS



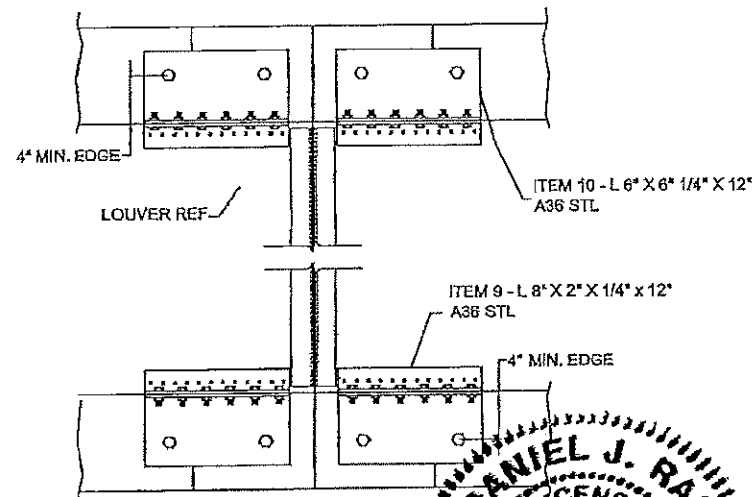
5A1
00D N.T.S.
LOUVER DETAIL @ JAMB
STRUCTURE - STEEL FRAME
12 GAUGE MIN. THICKNESS



5B
00D N.T.S.
LOUVER DETAIL @ JAMB
ALT. STRUCTURE - CMU BLOCK



5B1
00D N.T.S.
LOUVER DETAIL @ JAMB
ALT. STRUCTURE - CMU BLOCK



4B
00D N.T.S.
MULLION REAR ELEVATION
ALT. STRUCTURE - CMU BLOCK

PRODUCT REVISED
as complying with the Florida
Building Code
Acceptance No **13-0521.09**
Expiration Date **04/28/2016**
By *[Signature]*
Miami Dade Product Control

DANIEL J. RAU
LICENSE NO. 63636
PROFESSIONAL ENGINEER
STATE OF FLORIDA
7/14/2013

FOR OFFICE USE ONLY

ENGINEER OF RECORD:
DANIEL J. RAU
ENGINEERING DISCIPLINE:
CIVIL ENGINEER
STATE OF FLORIDA #63636

REV.	DESCRIPTION	DATE	CHKD BY	APPD BY
A	REVISED ENGINEER OF RECORD	07/17/13	RKP	DJR
00D	TOLERANCES UNLESS SPECIFIED OTHERWISE			
00D	1) ALL DIMENSIONS ARE GIVEN IN INCHES.			
00D	2) ALL EXPOSED SURFACES MUST BE FREE OF DIE LINES.			
00D	3) ALL ALUMINUM ASSOCIATION TOLERANCES APPLY UNLESS OTHERWISE SPECIFIED.			
00D	4) * EXTRUDER SPECIFIC ID MARK: JOER X .0080P			

THIS INFORMATION DISCLOSED HEREIN WAS ORIGINATED BY AND IS THE PROPERTY OF RUSKIN INDUSTRIES, AND EXCEPT FOR USES EXPRESSLY GRANTED TO THE UNITED STATES GOVERNMENT, RUSKIN INDUSTRIES RESERVES ALL PATENT, PROPRIETARY, DESIGN, USE, SALE, MANUFACTURING AND REPRODUCTION RIGHTS THEREIN. THIS DOES NOT APPLY TO ANY VENDOR PARTS.

CTR	CENTER	OC	ON CENTER
CL	CENTERLINE	OD	OUTSIDE DIAMETER
C-C	CENTER TO CENTER	OR	OUTSIDE RADIUS
CHAM	CHAMFER	PI	POINT OF INTERSECTION
DAT	DATUM	R	RADIUS
DET	DETAIL	REF	REFERENCE
E-E	END TO END	SYM	SYMMETRICAL
EXP	EXPOSED	TAN	TANGENT
ID	INSIDE DIAMETER	TYP	TYPICAL
IR	INSIDE RADIUS		

RUSKIN SWARTWOUT

3300 DR. GREAVES RD
GRAHNSVIEW, MO 64030
PH: (816) 781-7478 FAX: (816) 783-8162

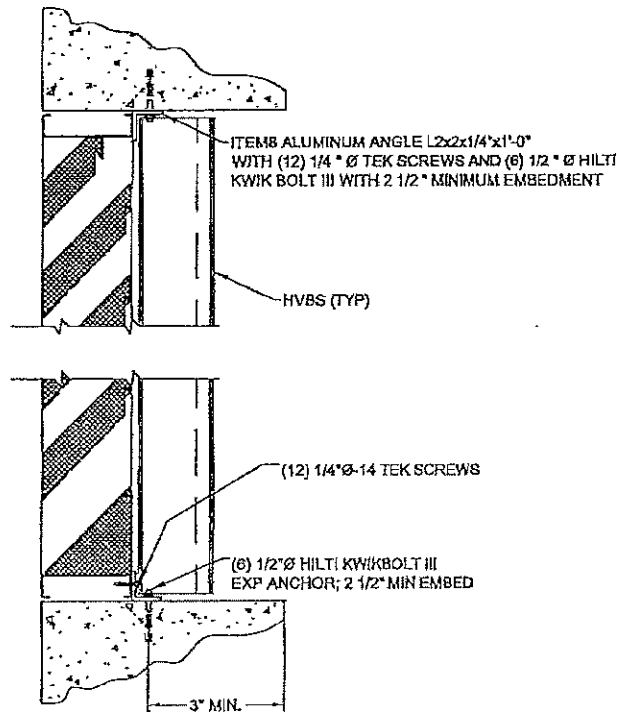
AREA	EST. PER.	EST. WT/FT.
ALLOY & TEMPER	UNSPEC. RADII	UNSPEC. WALL

DWN: WJM CHK: APPV: DATE: 03/30/2011 DATE: DATE:

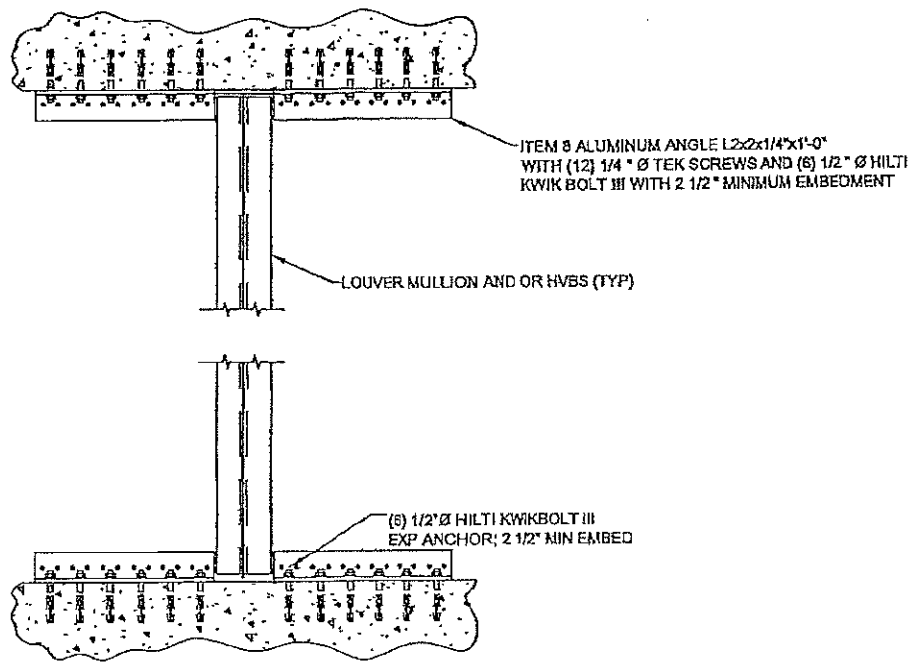
PART DESC.
ACL645D LOUVER SECTION AND DETAILS: DRAWING 3 OF 6

SCALE: NTS ECH: DATE:

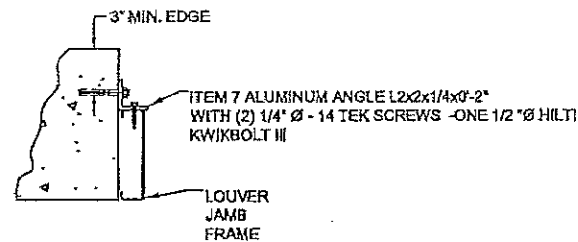
DWG No.
60 - 022202 -02D



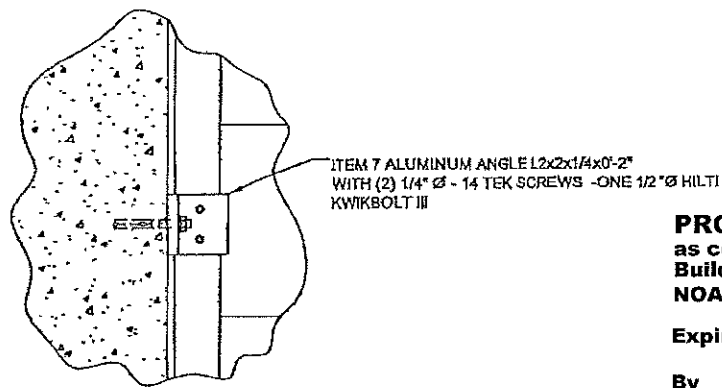
2C LOUVER DETAIL @ HEAD & SILL
 00D N.T.S.
 ALT. STRUCTURE - CONCRETE SUPPORT



4C MULLION REAR ELEVATION
 00D N.T.S.
 ALT. STRUCTURE - CONCRETE SUPPORT



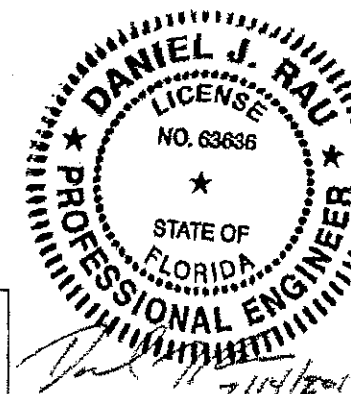
5C LOUVER DETAIL @ JAMB
 00D N.T.S.
 ALT. STRUCTURE - CONCRETE SUPPORT



5C1 LOUVER DETAIL @ JAMB
 00D N.T.S.
 ALT. STRUCTURE - CONCRETE SUPPORT

PRODUCT RENEWED
 as complying with the Florida
 Building Code
 NOA-No. 16-0627.11
 Expiration Date 04/28/2021
 By *[Signature]*
 Miami-Dade Product Control

FOR OFFICE USE ONLY
 PRODUCT REVISED
 as complying with the Florida
 Building Code
 Acceptance No 13-0521.09
 Expiration Date 04/28/2016
 By *[Signature]*
 Miami-Dade Product Control



ENGINEER OF RECORD:
 DANIEL J. RAU
 ENGINEERING DISCIPLINE:
 CIVIL ENGINEER
 STATE OF FLORIDA #63636

REV.	DESCRIPTION	DATE	CHKD BY	APPD BY
A	REVISED ENGINEER OF RECORD	07/17/13	RKP	DJR

NOTE:
 1) ALL DIMENSIONS ARE GIVEN IN INCHES.
 2) ALL EXPOSED SURFACES MUST BE FREE OF DIE LINES.
 3) ALUMINUM ASSOCIATION TOLERANCES APPLY UNLESS OTHERWISE SPECIFIED.
 4) * EXTRUDER SPECIFIC ID MARK, 308R x .008DP

3 PLACE .XXX±.000
 2 PLACE .XX±.000
 ANGLED DIMENSIONS ±2°
 USE W16-007 & 008

THIS INFORMATION DISCLOSED HEREIN WAS ORIGINATED BY AND IS THE PROPERTY OF RUSKIN INDUSTRIES, AND EXCEPT FOR USES EXPRESSLY GRANTED TO THE UNITED STATES GOVERNMENT, RUSKIN INDUSTRIES RESERVES ALL PATENT, PROPRIETARY, DESIGN, USE, SALE, MANUFACTURING AND REPRODUCTION RIGHTS THEREIN. THIS DOES NOT APPLY TO ANY VENDOR PARTS.

CTR	CENTER	OC	ON CENTER
CL	CENTER LINE	OD	OUTSIDE DIAMETER
C.C	CENTER TO CENTER	OR	OUTSIDE RADIUS
CHAM	CHAMFER	P.O.I	POINT OF INTERSECTION
DAT	DATUM	R	RADIUS
DET	DETAIL	RSP	REFERENCE
E-E	END TO END	SYM	SYMMETRICAL
EXP	EXPOSED	TAN	TANGENT
ID	INSIDE DIAMETER	TYP	TYPICAL
IR	INSIDE RADIUS		

RUSKIN SWARTWOUT

3500 DR. GREAVES RD
 GRANOVILLE, MO 64030
 PH: (816) 761-7476 FAX: (816) 763-8102

AREA	EST. PER.	EST. WT/FT.
-	-	-

ALLOY & TEMPER	UNSPEC. RADII	UNSPEC. WALL
-	-	-

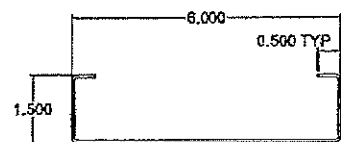
DWIN: WJM	CHK: WJM	APPV: WJM
DATE: 05/05/2011	DATE:	DATE: 1/11/11

PART DESC.

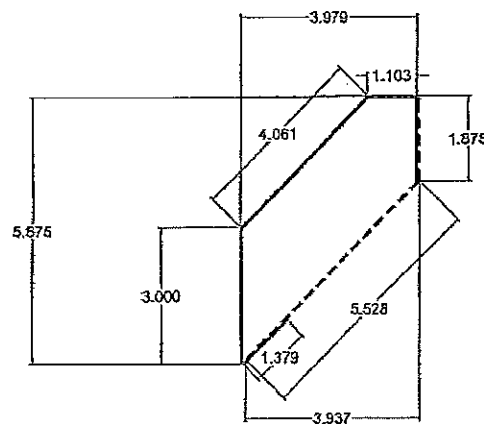
ACL645D LOUVER
 SECTION AND DETAILS
 DRAWING 4 OF 6

SCALE: NTS	ECN: -	DATE:
------------	--------	-------

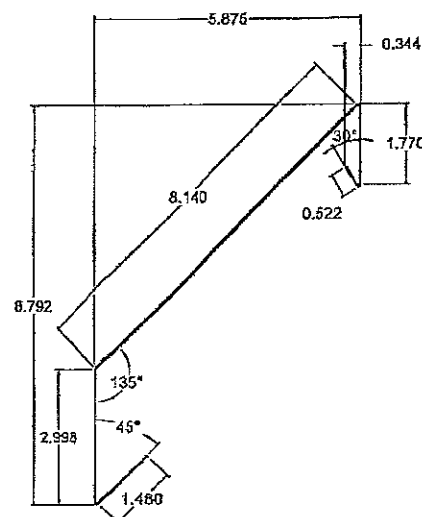
DWG No.
 60 - 022202 -03D



ITEM 1 - HEAD, JAMB AND SILL FRAME
 RUSKIN# 70-020440-00B-2
 ALUMINUM FLAT CUT= 9 1/2"

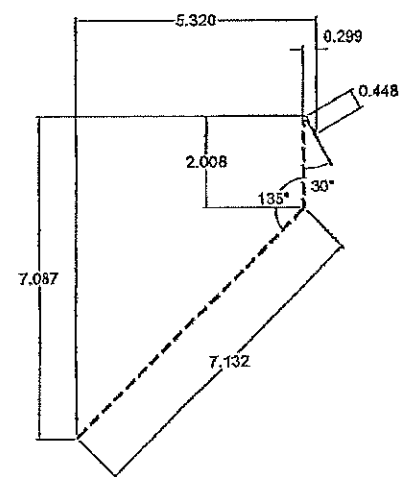


ITEM 2 - TOP BLADE
 RUSKIN# 70-020441-00B
 ALUMINUM FLAT CUT(EXT. BLD.)= 11 3/8"
 ALUMINUM FLAT CUT(INT. BLD.)= 7 5/16"

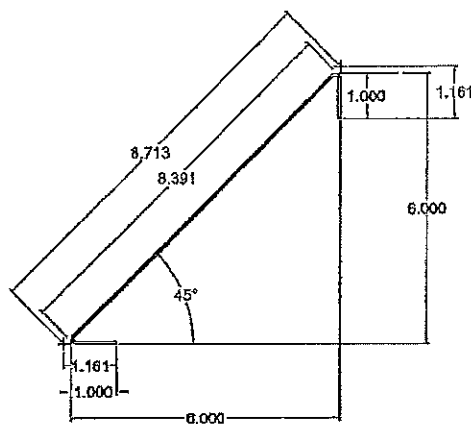


EXTERIOR BLADE
 ALUMINUM FLAT CUT= 14 13/16"

ITEM 3 - TYPICAL BLADE
 RUSKIN# 70-020443-00B

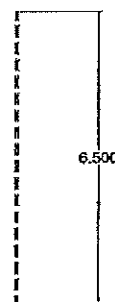


INTERIOR BLADE
 ALUMINUM FLAT CUT= 9 1/2"

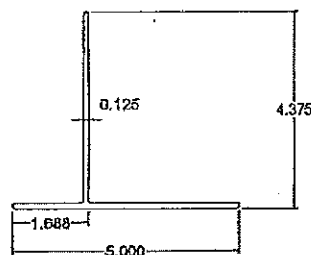


EXTERIOR BLADE
 ALUMINUM FLAT CUT(EXT. BLD.)= 10 5/16"

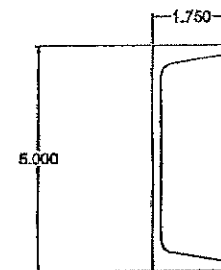
ITEM 4 - SILL PIECE
 RUSKIN# 70-021584-00B



INTERIOR CLOSURE
 ALUMINUM FLAT CUT= 6 1/2"



ITEM 5 - HVBS TEE
 RUSKIN# 70-022218-00B



ITEM 6 - C5x6.7 STEEL CHANNEL
 HOT DIPPED GALVANIZED ASTM A123

PRODUCT RENEWED
 as complying with the Florida Building Code
 NOA-No. **16-0627.11**
 Expiration Date **04/28/2021**
 By *[Signature]*
 Miami-Dade Product Control

PRODUCT REVISED
 as complying with the Florida Building Code
 Acceptance No **13-0521.09**
 Expiration Date **04/28/2016**
 By *[Signature]*
 Miami-Dade Product Control

FOR OFFICE USE ONLY

DANIEL J. RAU
 LICENSE NO. 63636
 STATE OF FLORIDA
 PROFESSIONAL ENGINEER

7/14/2013

ENGINEER OF RECORD:	DANIEL J. RAU
ENGINEERING DISCIPLINE:	CIVIL ENGINEER
STATE OF FLORIDA #	63636

REV.	DESCRIPTION	DATE	CHKD BY	APP'D BY
A	REVISED ENGINEER OF RECORD	07/17/13	RKP	DJR

NOTE:
 1) ALL DIMENSIONS ARE GIVEN IN INCHES.
 2) ALL EXPOSED SURFACES MUST BE FREE OF DIE LINES.
 3) ALUMINUM ASSOCIATION TOLERANCES APPLY UNLESS OTHERWISE SPECIFIED.
 4) ** EXTRUDER SPECIFIC ID MARK: .008R x .008DP

3 PLACE XXX±.00
 2 PLACE XX±.00
 ANGLE DIMENSIONS x 2"
 USE W/OUT & 008

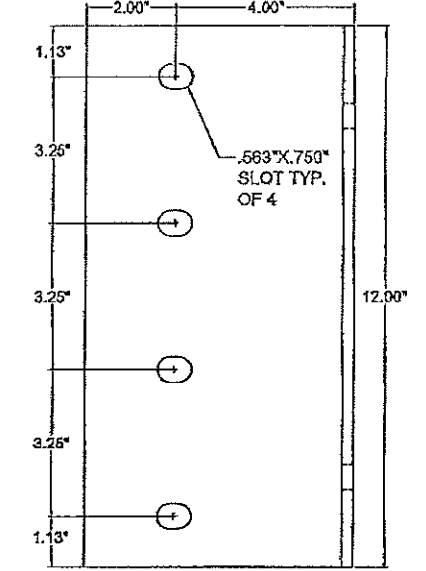
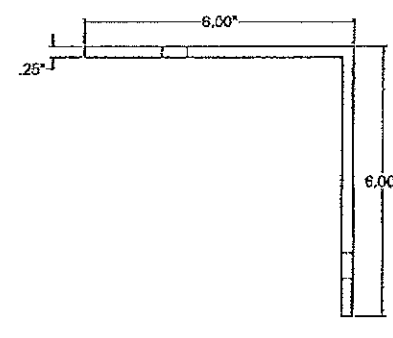
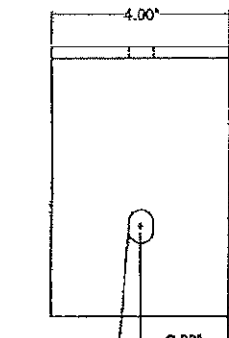
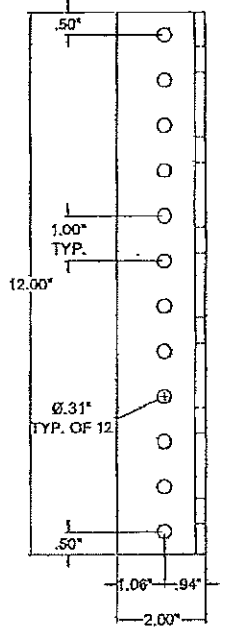
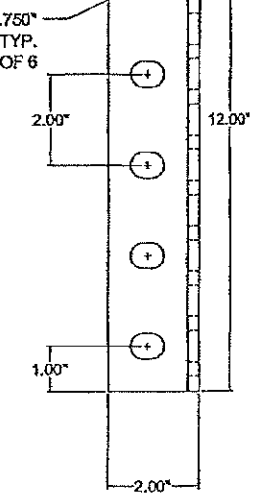
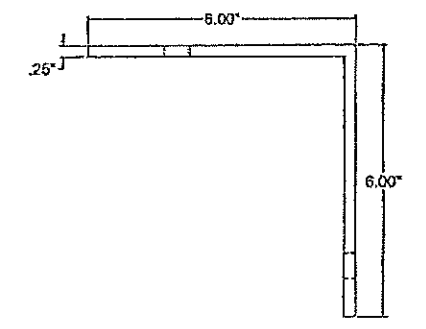
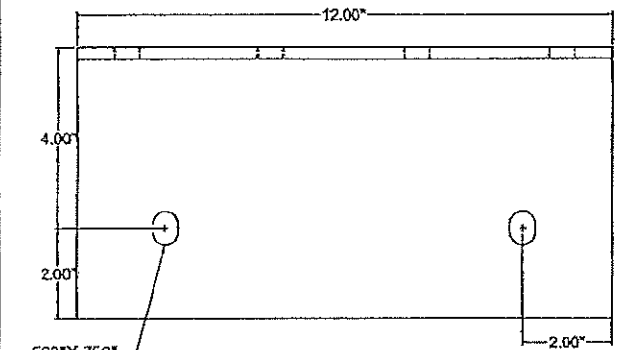
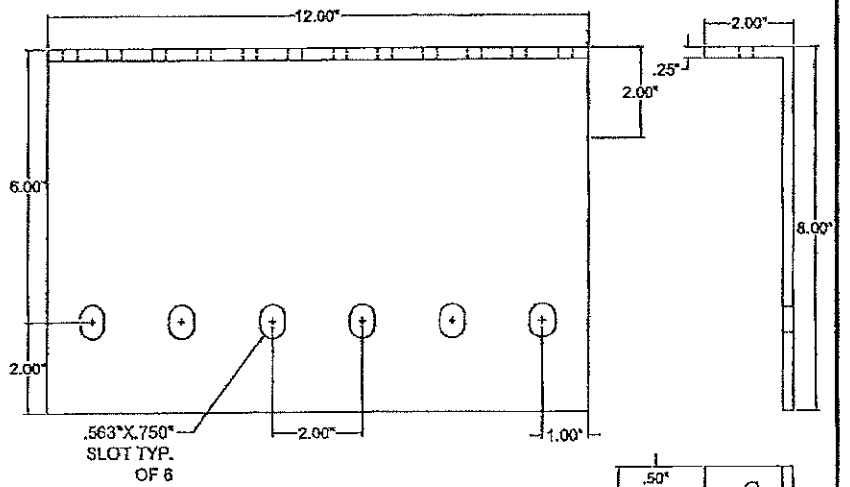
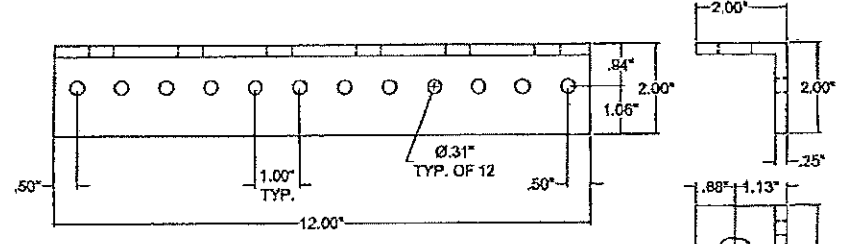
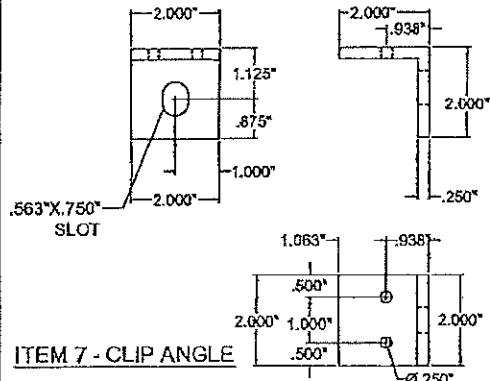
THIS INFORMATION DISCLOSED HEREIN WAS ORIGINATED BY AND IS THE PROPERTY OF RUSKIN INDUSTRIES, AND EXCEPT FOR USES EXPRESSLY GRANTED TO THE UNITED STATES GOVERNMENT, RUSKIN INDUSTRIES RESERVES ALL PATENT, PROPRIETARY, DESIGN, USE, SALE, MANUFACTURING AND REPRODUCTION RIGHTS THEREIN. THIS DOES NOT APPLY TO ANY VENDOR PARTS.

CTR	CENTER	OC	ON CENTER
CL	CENTERLINE	OD	OUTSIDE DIAMETER
CC	CENTER TO CENTER	OR	OUTSIDE RADIUS
CHAM	CHAMFER	R	POINT OF INTERSECTION
DAT	DATUM	REF	REFERENCE
DET	DETAIL	SYM	SYMMETRICAL
E-E	END TO END	TAN	TANGENT
EXP	EXPOSED	TYP	TYPICAL
ID	INSIDE DIAMETER		
IR	INSIDE RADIUS		

RUSKIN
SWARTWOUT

3500 DR. ORFAYES RD
 GRANDVIEW, MO 64030
 PH: (816) 761-7476 FAX: (816) 763-8102

AREA	EST. PER.	EST. WT./FT.
-	-	-
ALLOY & TEMPER	UNSPEC. RADII	UNSPEC. WALL
-	-	-
DIVN: VJM	CHK:	APPV:
DATE: 04/07/2011	DATE:	DATE:
PART DESC.		
ACL645D LOUVER PART DETAILS DRAWING 5 OF 6		
SCALE: NTS	ECN: -	DATE:
DWG No.	60 - 022202 - 04D	



PRODUCT RENEWED
 as complying with the Florida
 Building Code
 NOA-No. **16-0627.11**
 Expiration Date **04/28/2021**
 By *[Signature]*
 Miami-Dade Product Control

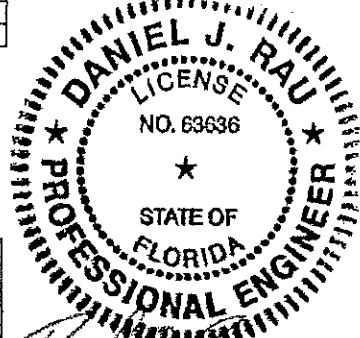
TABLE #2: DRAWING CROSS REFERENCE

ITEM	DRAWING	MATERIAL	DESCRIPTION	RUSKIN #
1	60-022202-02D	3003-H14 AL	HEAD, JAMB AND SILL FRAMES	70-020442-00B-2
2	60-022202-02D	3003-H14 AL	TOP BLADE	70-020441-00B
3	60-022202-02D	3003-H14 AL	TYPICAL BLADE	70-020443-00B
4	60-022202-02D	3003-H14 AL	SILL PIECE	70-021584-00B
5	60-022202-02D	6083-T6 AL	HVBS TEE	70-022218-00B
6	60-022202-02D	A36 STEEL	C5X8.7	-
7	60-022202-05D	6083-T6 AL	CLIP ANGLE	85-021637-00B
8	60-022202-05D	6083-T6 AL	12\"/>	
9	60-022202-05D	6083-T6 AL	12\"/>	
10	60-022202-05D	6083-T6 AL	12\"/>	
11	60-022202-05D	6083-T6 AL	6\"/>	

TABLE #1: APPROVED ATTACHMENTS

MIN. SUPPORT MAT'L	TYPE CONNECTION	ANGLE SLOT WIDTH	MAX SPACING	MIN EMBEDMENT	MIN EDGE
(12 GA MIN) STEEL	1/2\"/>				
(4\"/>					
(8\"/>					
(2) 2 X - WOOD	1/2\"/>				

NOTE: ALL FASTENERS MUST BE INSTALLED PER THE MANUFACTURER'S FLORIDA / DADE COUNTY APPROVED INSTALLATION INSTRUCTIONS



PRODUCT REVISED
 as complying with the Florida
 Building Code
 Acceptance No **13-0521.09**
 Expiration Date **04/28/2016**
 By *[Signature]*
 Miami-Dade Product Control

ENGINEER OF RECORD:
DANIEL J. RAU
 ENGINEERING DISCIPLINE:
CIVIL ENGINEER
 STATE OF FLORIDA #63636

REV.	DESCRIPTION	DATE	CHKD BY	APP'D BY
A	REVISED ENGINEER OF RECORD	07/17/13	RKP	DJR

NOTE:
 1) ALL DIMENSIONS ARE GIVEN IN INCHES.
 2) ALL EXPOSED SURFACES MUST BE FREE OF DIE LINES.
 3) ALUMINUM ASSOCIATION TOLERANCES APPLY UNLESS OTHERWISE SPECIFIED.
 4) ** EXTRUDER SPECIFIC ID MARK: .008R X .008DP

TOLERANCES UNLESS SPECIFIED OTHERWISE:
 3 PLACE XXX.XX0
 4 PLACE DIMENSIONS ±.2
 USE W14-47 & 008

THIS INFORMATION DISCLOSED HEREIN WAS ORIGINATED BY AND IS THE PROPERTY OF RUSKIN INDUSTRIES, AND EXCEPT FOR USES EXPRESSLY GRANTED TO THE UNITED STATES GOVERNMENT, RUSKIN INDUSTRIES RESERVES ALL PATENT, PROPRIETARY, DESIGN, USE, SALE, MANUFACTURING AND REPRODUCTION RIGHTS THERE-TO. THIS DOES NOT APPLY TO ANY VENDOR PARTS.

CTR	CENTER LINE	OC	ON CENTER
CL	CENTER LINE	OD	OUTSIDE DIAMETER
C-C	CENTER TO CENTER	OR	OUTSIDE RADIUS
CHAM	CHAMFER	P	POINT OF INTERSECTION
DAT	DATUM	R	RADIUS
DET	DETAIL	REF	REFERENCE
E-E	END TO END	SYM	SYMMETRICAL
EXP	EXPOSED	TAN	TANGENT
ID	INSIDE DIAMETER	TYP	TYPICAL
IR	INSIDE RADIUS		

RUSKIN SWARTWOUT

3900 DR. GREAVES RD
 GRANDVIEW, MO 64030
 PH: (816) 761-7476 FAX: (816) 763-6102

AREA	EST. PER	EST. WT/FT
ALLOY & TEMPER	UNSPEC. RADII	UNSPEC. WALL
DWN: WJM	CHK:	APPV:
DATE: 04/07/2011	DATE:	DATE:

PART DESC.
**ACL645D LOUVER
 PART DETAILS
 DRAWING 6 OF 6**

SCALE: NTS ECN: - DATE:

DWG No.
60 - 022202 - 05D