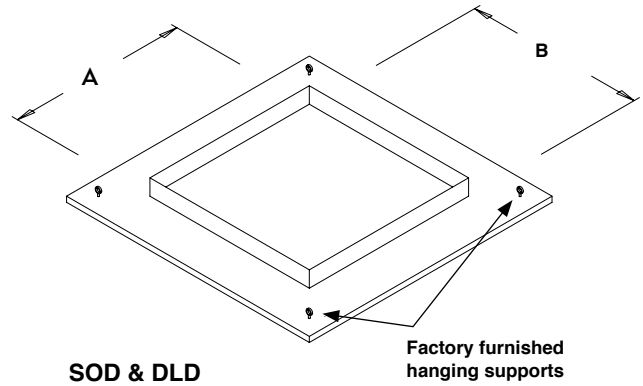
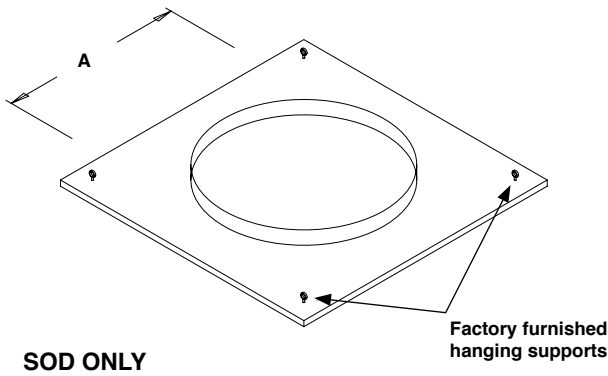


DLD AND SOD SERIES DUCT CAP ACCESSORY

The DLD and SOD series duct cap accessory is provided factory mounted and complete with hanging supports. They are fully insulated and specifically designed to mate with the corresponding diffuser.



SOD DIMENSIONS

SOD MODEL	DUCT SIZE	
	A	B
SOD-24	18	*
	18	18
SOD-36	20	*
	24	24
SOD-40	28	28
SOD-60	30	30
SOD-80	36	36
	42	42
SOD-300	44	44

*Round duct sizes.

DLD DIMENSIONS

DLD MODEL	DUCT SIZE	
	A	B
DLD-2010	24	24
DLD-2510	28	28
DLD-3012	30	30
DLD-3510	36	36
DLD-4010	42	42
DLD-5010	44	44

1. Special sizes available upon request.
2. Duct cap is fully insulated and shipped attached to diffuser.

RUSKIN[®]

3900 Dr. Greaves Rd.
Kansas City, MO 64030
(816) 761-7476
FAX (816) 765-8955
www.ruskin.com

Printed on recycled paper
using vegetable based inks

