

DLD SERIES DRUM LOUVER DIFFUSERS

APPLICATION

Ruskin DLD series supply diffuser systems are designed to provide an air distribution system with the benefit of having directional air control. The system is ideal for open ceiling applications that need single point supply air with long throws. The Drum Louver allows you to “spot” the air where you need it most.

STANDARD CONSTRUCTION

DIFFUSER FRAME

Aluminum

DRUM LOUVER

Extruded aluminum

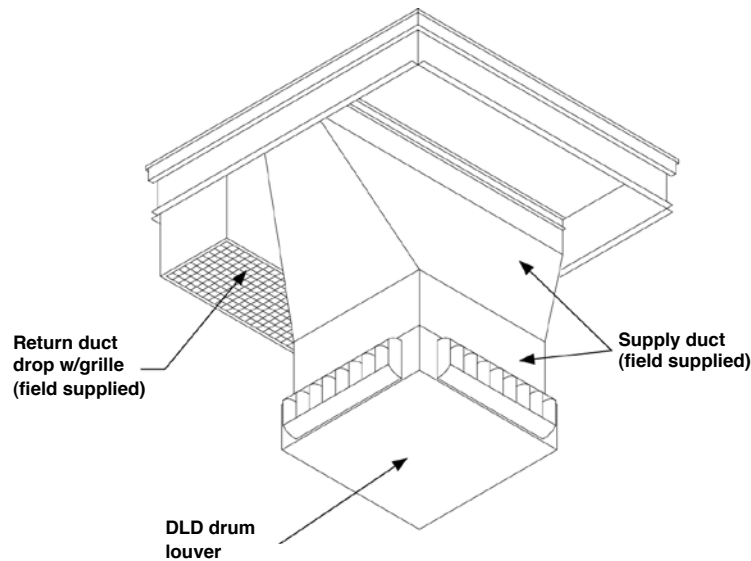
FEATURES

- Lightweight aluminum construction
- Drum louver diffusers for high installations
- Internal air deflector
- Optional duct cap accessory
- Hanging supports with duct cap accessory

ENGINEERING DATA

Model #	CFM	30° DEFLECTION			0° DEFLECTION		
		Noise	Static	Throw	Noise	Static	Throw
DLD-2010	4000-5000	<45	0.420	34-37	<40	0.29	40-45
DLD-2510	6000	<45	0.508	39	<40	0.33	48
DLD-3012	8000	<45	0.440	47	<40	0.30	63
DLD-3510	8000	<45	0.440	47	<40	0.30	63
DLD-4010	10000	<45	0.528	46	<40	0.33	62
DLD-5010	12000	<45	0.543	56	<40	0.35	72

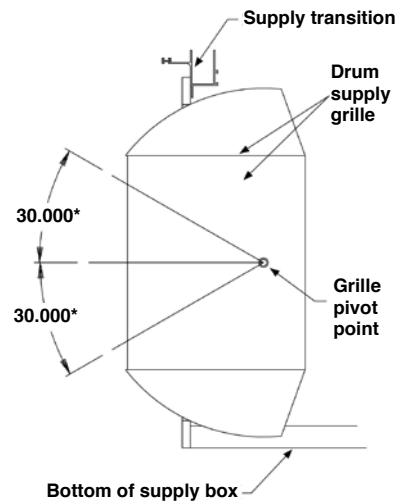
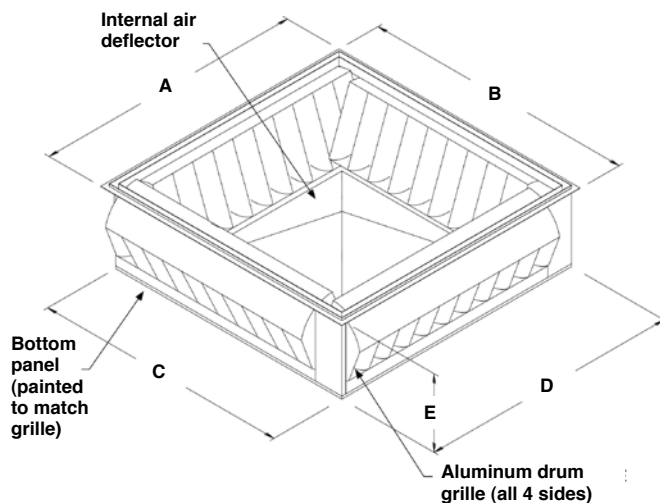
TYPICAL INSTALLATION



DLD SERIES DIMENSIONAL DATA

DIMENSIONS

Model #	A	B	C	D	E	Grille Size	Unit Weight
DLD-2010	29.625	29.625	27.500	27.500	13.000	20 x 10	53.00
DLD-2510	34.625	34.625	32.500	32.500	13.000	25 x 10	62.00
DLD-3012	39.625	39.625	37.500	37.500	15.000	30 x 12	73.00
DLD-3510	44.625	44.625	42.500	42.500	13.000	35 x 10	91.00
DLD-4010	49.625	49.625	47.500	47.500	13.000	40 x 10	124.00
DLD-5010	59.625	59.625	57.500	57.500	13.000	50 x 10	151.00



SUGGESTED SPECIFICATION

Furnish and install, at locations shown on plans or in accordance with schedules, drum louver diffusers manufactured in an ISO9001 facility. Drum louver diffusers shall be aluminum construction and incorporate an internal air deflector to ensure quiet, even airflow to all sides with low pressure drop. Bottom panel of drum louver diffuser assembly shall have polyester resin powder coat finish to match grille. Drum louver diffuser shall provide minimum 30° vertical adjustment and full horizontal blade adjustment providing single point supply air

for large space applications. Manufacturers published data sheet shall include CFM rating, noise, static, and throw information. Drum louver diffuser shall be in all respects equivalent to Ruskin Model DLD.

Specifier Select Option

Furnish drum louver diffuser complete with duct cap accessory. Duct cap shall be insulated and designed to mate with the diffuser. Integral hanging supports shall be part of the duct cap accessory.



3900 Dr. Greaves Rd.
 Kansas City, MO 64030
 (816) 761-7476
 FAX (816) 765-8955
 www.ruskin.com

Printed on recycled paper
 using vegetable based inks

