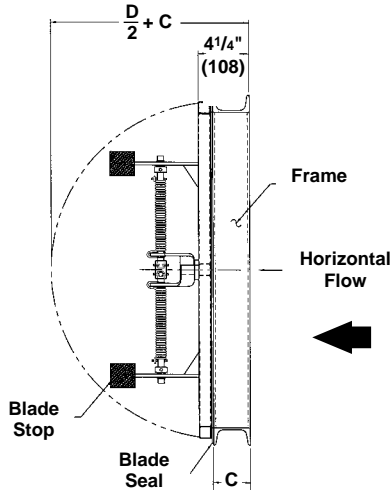


NRBD100 ROUND DISCHARGE DAMPER



**SIDE VIEW
FEATURES**

The NRBD100 is designed for use on the discharge side of axial flow fans to prevent air backflow at fan shut down. Principal application is on multiple fans in variable volume air supply systems. When one or more fans shut down, the NRBD100 discharge damper automatically closes to eliminate fan windmill and other undesirable side effects from air backflow. The NRBD100 withstands pressures and velocities normally encountered in the application described above.

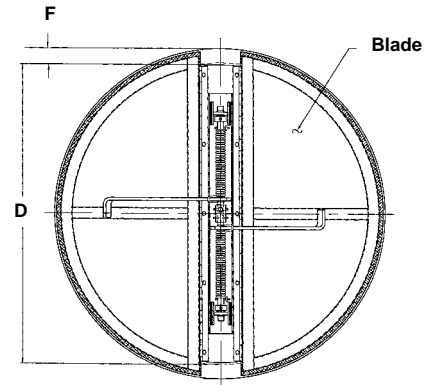
Inside Diameter(D)		Frame		Blade Thickness
Above	Through	Flange (F)	Web (C)	
12" (305)	18" (457)	1 1/2" x 3/16"	3" x 3/16"	12ga (2.8)
18" (457)	24" (610)	1 1/2" x 3/16"	3" x 3/16"	12ga (2.8)
24" (610)	30" (762)	1 1/2" x 3/16"	3" x 3/16"	16ga (1.6)
30" (762)	96" (2438)	C3 x 4.1 structural steel channel		16ga (1.6)

VARIATIONS

Variations to standard construction include:

- Construction for high temperature applications
- Construction for high pressure application.
- Materials of construction, e.g., stainless steel
- Damper blades installed WITHIN the damper frame.
- Industrial alkyd - epoxy enamel finish.

Dimensions in parenthesis () indicate millimeters.



**FACE VIEW
(Down Stream Side)
STANDARD CONSTRUCTION**

FRAME

Steel channel, with HRS structural steel angle blade support.

BLADES

Two (2) galvanized steel halves attached to damper frame using stainless steel continuous hinge and stiffened as required.

BLADE SEAL

Full circumference neoprene seal.

BLADE STOP

For D = 12" (305) through 24" (610): 10ga (3.5) HRS blade stop with neoprene blade stop pad.

For D > 24" (610): spring-loaded blade stop assembly with neoprene blade stop pads.

FINISH

Aluminum paint.

SIZES

12" (305) through 96" (2438) diameters.

TEMPERATURE RATING

250°F (121°C) is standard. Consult Ruskin for elevated temperature applications.

PRESSURE RATING

This product is rated for operation up to a maximum differential pressure of 10" wg. Consult Ruskin for application at higher pressures.

NOTE: Standard construction of this product is applicable for **HORIZONTAL** airflow only. Consult Ruskin for applications of **VERTICAL UPWARD** airflow. This damper is **NOT AVAILABLE** for **VERTICAL DOWNWARD** airflows.

QTY.	D - Diameter	VARIATIONS
JOB		LOCATION
CONTRACTOR		