

DAMPER STYLES AND SIZES

A Style

Frame and blades in air stream

Sleeve optional

75 - 85% free area

DIBD2 MINIMUM SIZE 2000 fpm (10.2 m/s)

Vertical Installation – 4"w x 4"h (102 x 102)

Horizontal Installation – 6"w x 6"h (152 x 152)

DIBD2 MAXIMUM SIZE 2000 fpm (10.2 m/s)

Single Section

Vertical Installation – 33"w x 36"h (838 x 914)

Horizontal Installation – 24"w x 24"h (610 x 610)

Multiple Section Assembly

Vertical Installation – 72"w x 48"h (1829 x 1219) or 48"w x

72"h (1219 x 1829) or 120"w x 24"h (3048 x 610)

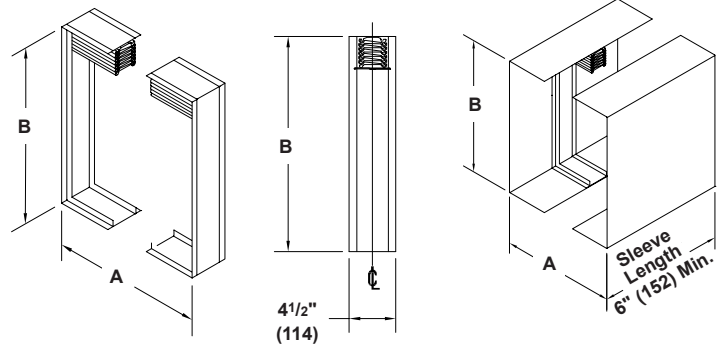
Horizontal Installation – 36"w x 48"h (914 x 1219) or 48"w x 36"h (1219 x 914). The minimum width or height becomes 9" x 9" (229 x 229) when dampers width or height is over 24" (610).

DIBD2 MINIMUM SIZE UNITS ABOVE 2000 fpm (10.2 m/s)

Vertical or Horizontal Installation – 9"w x 9"h (229 x 229) **DIBD2**

MAXIMUM SIZE UNITS ABOVE 2000 fpm (10.2 m/s)

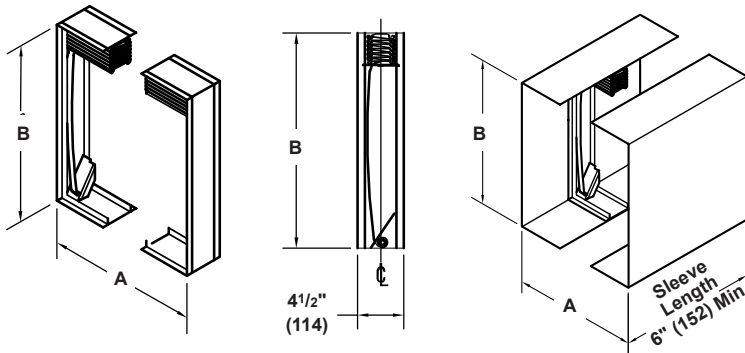
Vertical or Horizontal Installation – 24"w x 24"h (610 x 610)



A Style w/o Sleeve

A Style w/Sleeve

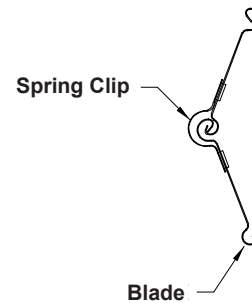
Vertical Mount Single Section Assemblies
Units 24" x 24" (610 x 610)



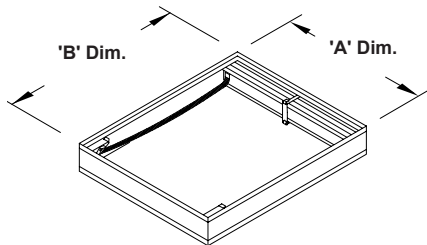
A Style w/o Sleeve

A Style w/Sleeve

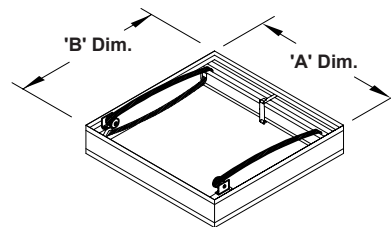
Vertical Mount Units 24" x 24" (610 x 610)
and Multiple Section Assemblies



Spring Detail used on Vertical Mount Units
24" x 24" (610 x 610) and Under



Horizontal Mount Detail used in
Single Section Assemblies



Horizontal Mount Detail used in
Multiple Section Assemblies

DAMPER STYLES AND SIZES

B Style

Blades out of air stream
Sleeve optional
80 - 90% free area

A = Duct Width
B = Duct Height
H = Overall Damper Height

MINIMUM SIZE 2000 fpm (10.2 m/s)

Vertical Installation – 4" w x 4" h (102 x 102)
Horizontal Installation – 6" w x 4" h (152 x 102)

MAXIMUM SIZE 2000 fpm (10.2 m/s)

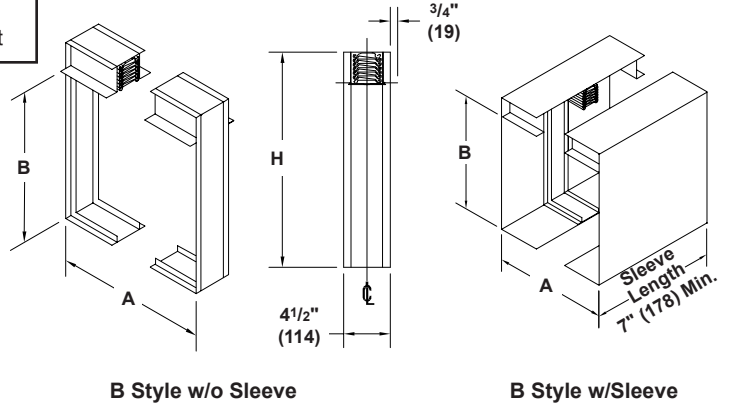
Single Section
Vertical Installation – 33" w x 32" h (838 x 813)
Horizontal Installation – 24" w x 21" h (610 x 533)
Multiple Section Assembly
Vertical Installation – 72" w x 45" h (1829 x 1143) or 48" w x 69" h (1219 x 1753) or 120" w x 21" h (3048 x 533)
Horizontal Installation – 36" w x 42" h (914 x 1067) or 48" w x 30" h (1219 x 813). The minimum width or height becomes 9" w x 8" h (229 x 203) when damper's width or height is over 21" (533).

DIBD2 MINIMUM SIZE UNITS ABOVE 2000 fpm (10.2 m/s)

Vertical or Horizontal Installation – 9" w x 7" h (229 x 178) DIBD2

MAXIMUM SIZE UNITS ABOVE 2000 fpm (10.2 m/s)

Single Section only
Vertical or Horizontal Installation – 24" w x 21" h (610 x 533)



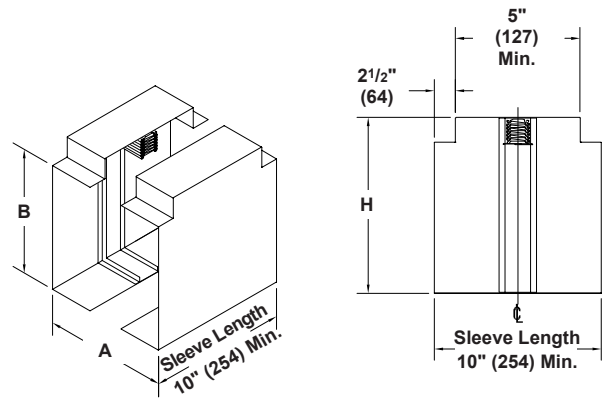
See Style A for Construction Details

BC and WB Style

Blades out of air stream
BC style: Fully sealed sleeve
WB style: Fully welded sleeve
80 - 90% free area

See Style B for Minimum and Maximum Sizes

A = Duct Width
B = Duct Height
H = Overall Damper Height



BC Style w/Sleeve

FDR25 True Round Fire Damper 1 1/2 hour UL 555 Listed

Replacing square to round transitions on duct sizes 24" (610) and under to increase performance.

Application

Ruskin FDR25 is a true round fire damper designed for use in fire rated walls and floors and is the perfect choice when using round duct.

The FDR25 is rated for maximum velocity of 2,000 fpm and 4" w.g. static pressure. The integral frame and unique "cinch plate" design provides a low cost, high performing damper.

DAMPER SIZES

MINIMUM SIZE

6" (152) diameter

MAXIMUM SIZE

Vertical/Horizontal – 24" (610) diameter

option

- 304 or 316 Stainless Steel Construction



DAMPER STYLES AND SIZES

CR AND WR Style – Round Transition

Frame and blades out of air stream

Sleeve required

95 - 100% free area

CR Style – sealed assembly

WR Style – fully welded

MINIMUM SIZE 2000 fpm (10.2 m/s)

Vertical Installation – 3" diameter (76)

Horizontal Installation – 4" diameter (102)

MAXIMUM SIZE 2000 fpm (10.2 m/s)

Single Section

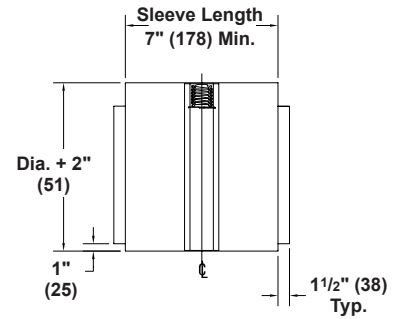
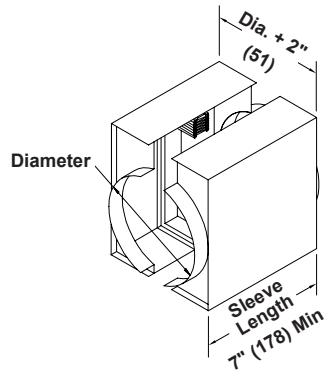
Vertical Installation – 31" diameter (787)

Horizontal Installation – 20" diameter (508)

Multiple Section Assembly

Vertical Installation – 46" diameter (1118)

Horizontal Installation – 34" diameter (864)



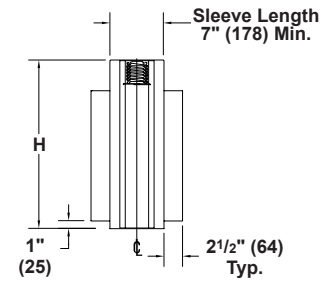
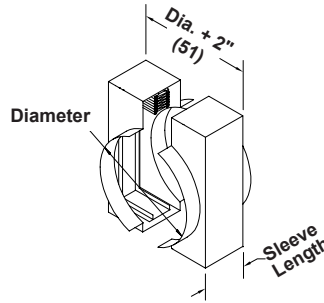
CR Style

DIBD2 MINIMUM SIZE UNITS ABOVE 2000 fpm (10.2 m/s)

Vertical or Horizontal Installation – 7" diameter (178)

DIBD2 MAXIMUM SIZE UNITS ABOVE 2000 fpm (10.2 m/s)

Vertical or Horizontal Installation – 20" diameter (508)



WR Style

D = Diameter
H = Overall Damper Height

C AND WC Style – Square or Rectangle Transition

Frame and blades out of air stream

Sleeve required

95 - 100% free area

C Style – sealed assembly

WC Style – fully welded

MINIMUM SIZE 2000 fpm (10.2 m/s)

Vertical or Horizontal Installation – 4"w x 3"h (102 x 76)

MAXIMUM SIZE 2000 fpm (10.2 m/s)

Single Section

Vertical Installation – 31"w x 31"h (787 x 787)

Horizontal Installation – 22"w x 20"h (559 x 508)

Multiple Section Assembly

Vertical Installation – 70"w x 44"h (1778 x 1118) or 46"w x

68"h (1168 x 1727) or 118"w x 20"h (2997 x 508)

Horizontal Installation – 34"w x 42"h (864 x 1067) or 46"w x

32"h (1168 x 813). The minimum width or height becomes

7"w x 7"h (178 x 178) when damper's width or height is over 21" (533)

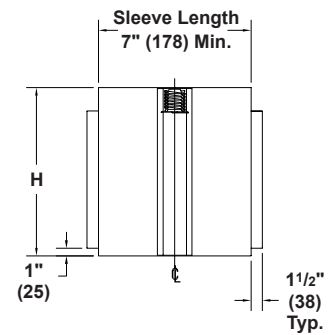
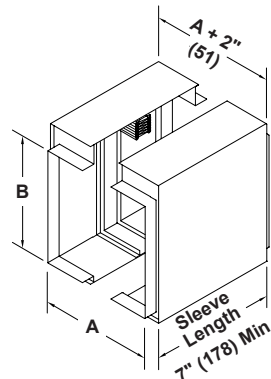
DIBD2 MINIMUM SIZE UNITS ABOVE 2000 fpm (10.2 m/s)

Vertical or Horizontal Installation – 7"w x 7"h (178 x 178)

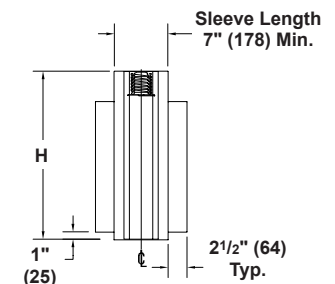
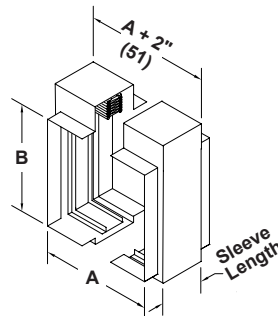
DIBD2 MAXIMUM SIZE UNITS ABOVE 2000 fpm (10.2 m/s)

Single Section only

Vertical or Horizontal Installation – 22"w x 20"h (559 x 508)



C Style w/Sleeve



WC Style w/Sleeve

A = Duct Width
B = Duct Height
H = Overall Damper Height

DAMPER STYLES AND SIZES

CO AND WO Style – Oval Transition

Frame and blades out of air stream

Sleeve required

95 - 100% free area

CO Style – sealed assembly

WO Style – fully welded

MINIMUM SIZE 2000 fpm (10.2 m/s)

Vertical or Horizontal Installation – 4"w x 3"h (102 x 76)

MAXIMUM SIZE 2000 fpm (10.2 m/s)

Single Section

Vertical Installation – 31"w x 31"h (787 x 787)

Horizontal Installation – 22"w x 20"h (559 x 508)

Multiple Section Assembly

Vertical Installation – 70"w x 44"h (1778 x 1118) or 46"w x 68"h (1168 x 1727) or 118"w x 20"h (2997 x 508)

Horizontal Installation – 34"w x 42"h (864 x 1067) or 46"w x 32"h (1168 x 813). The minimum width or height becomes 7"w x 7"h (178 x 178) when damper's width or height is over 21" (533)

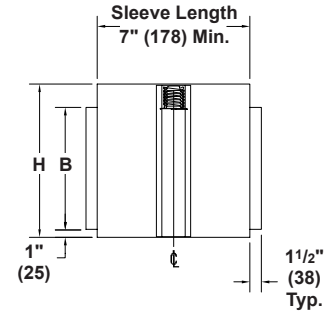
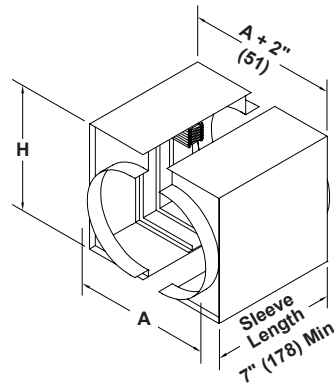
DIBD2 MINIMUM SIZE UNITS ABOVE 2000 fpm (10.2 m/s)

Vertical or Horizontal Installation – 7"w x 7"h (178 x 178)

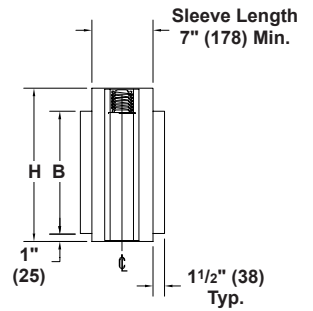
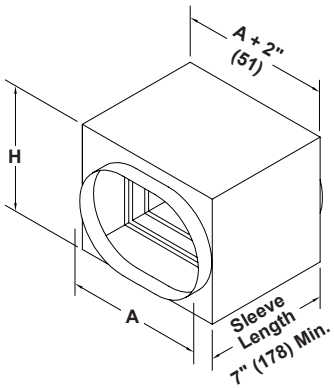
DIBD2 MAXIMUM SIZE UNITS ABOVE 2000 fpm (10.2 m/s)

Single Section only

Vertical or Horizontal Installation – 22"w x 20"h (559 x 508)



CO Style



WO Style

A = Duct Width
B = Duct Height
H = Overall Damper Height

LR Style – Round Transition

Round enclosure - frame and blades out of air stream

Sleeve optional non-sealed assembly

95 - 100% free area

MINIMUM SIZE 2000 fpm (10.2 m/s)

Vertical Installation – 3" diameter (76)

Horizontal Installation – 4" diameter (102)

MAXIMUM SIZE 2000 fpm (10.2 m/s)

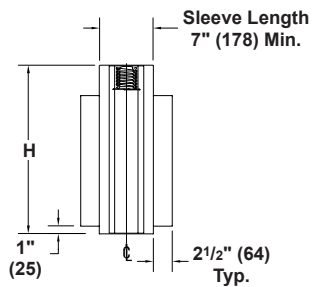
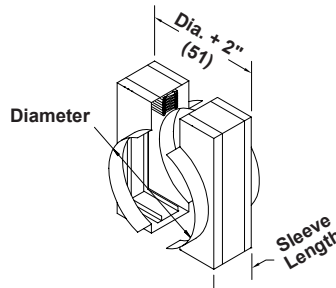
Single Section

Vertical Installation – 31" diameter (787)

Horizontal Installation – 20" diameter (508)

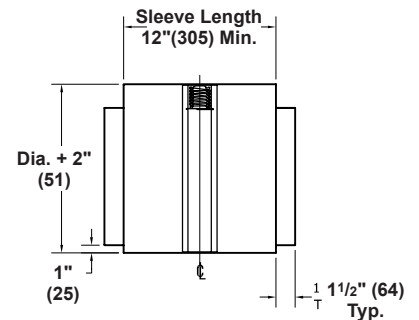
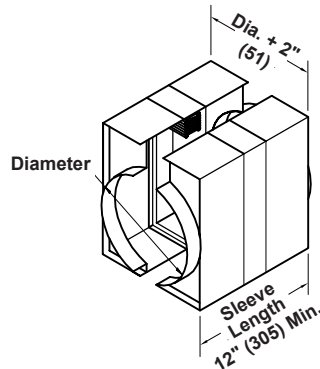
Multiple Section Assemblies

Not available in style LR. See Style CR for larger assemblies.



LR Style

D = Diameter
H = Overall Damper Height



LR Style w/Sleeve

DAMPER STYLES AND SIZES

LO Style – Oval Transition

Frame and blades out of air stream
Sleeve optional non-sealed assembly
95 - 100% free area

MINIMUM SIZE 2000 fpm (10.2 m/s)

Vertical or Horizontal Installation – 4"w x 3"h (102 x 76)

MAXIMUM SIZE 2000 fpm (10.2 m/s)

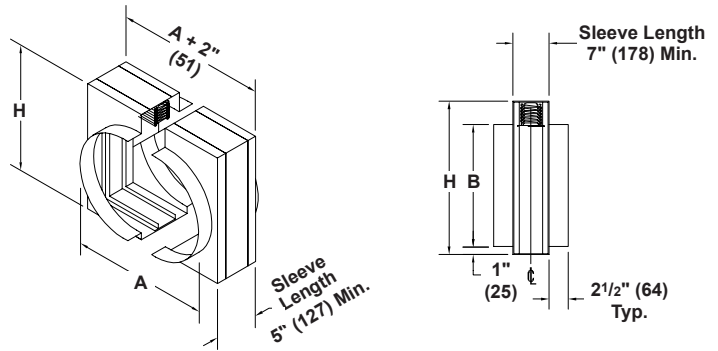
Single Section

Vertical Installation – 31"w x 31"h (787 x 787)

Horizontal Installation – 21"w x 21"h (533 x 533)

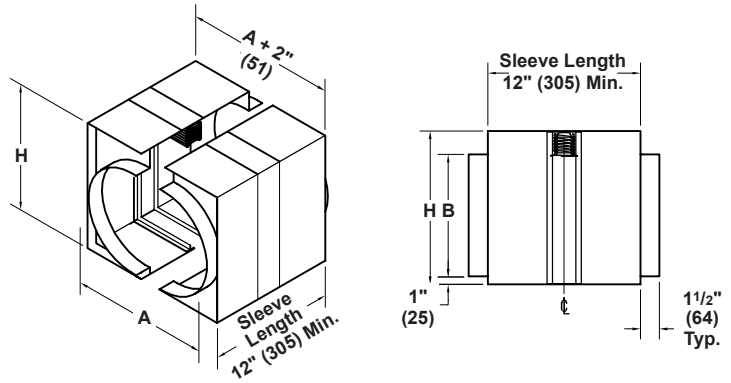
Multiple Section Assemblies

Not available in Style LO. See Style CO for larger assemblies



LO Style

| |
|---------------------------|
| A = Duct Width |
| B = Duct Height |
| H = Overall Damper Height |



LO Style w/Sleeve

R Style – Round Transition

Round enclosure. Blades partially in the air stream
Sleeve optional non-sealed assembly

85 - 95% free area

MINIMUM SIZE 2000 fpm (10.2 m/s)

Vertical Installation – 3" diameter (76)

Horizontal Installation – 4" diameter (102)

MAXIMUM SIZE 2000 fpm (10.2 m/s)

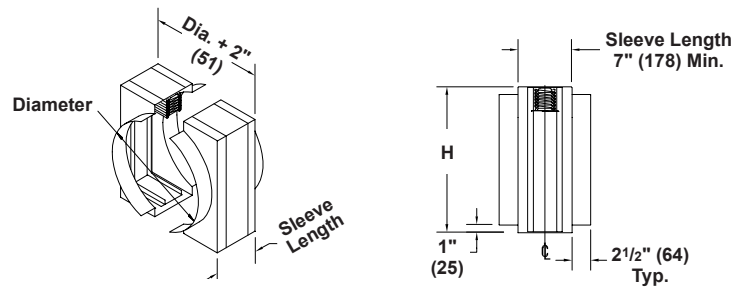
Single Section

Vertical Installation – 31"w x 31"h (787 x 787)

Horizontal Installation – 21"w x 21"h (533 x 533)

Multiple Section Assemblies

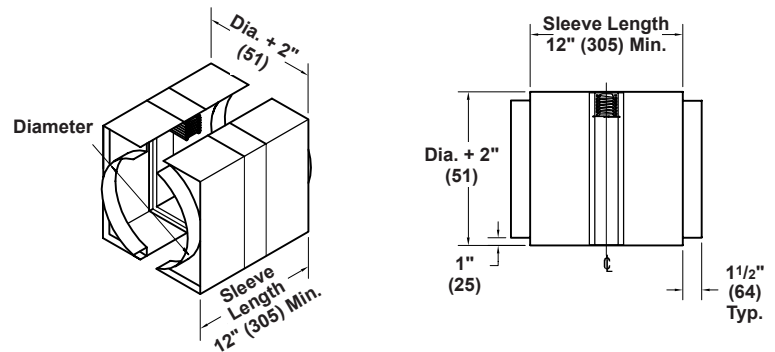
Not available in Style R. See Style CR for larger assemblies



R Style

NOTE: Transition collars to be sealed (by others).

| |
|---------------------------|
| D = Diameter |
| H = Overall Damper Height |



R Style w/Sleeve

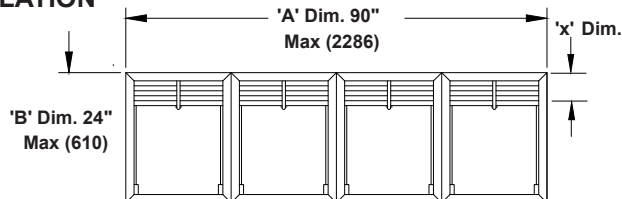
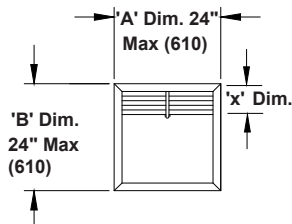
ASSEMBLY AND DIMENSIONAL INFORMATION For 2000 fpm (10.2 m/s) and 4 in. wg. (1 kPa) MAX.

Dampers normally fabricated approximately 1/4" (6) less than given duct dimensions. A (width) and B (height) dimensions shown describe maximum UL Classified sizes. Multiple section damper assemblies ordered without sleeves are shipped in individual sections, for field assembly. Multiple section dampers ordered with factory furnished sleeves are normally shipped in complete assemblies,

DIBD2 A STYLE DAMPERS

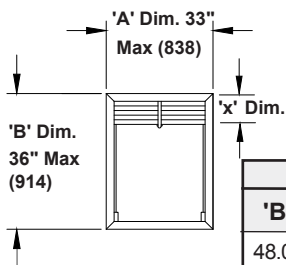
VERTICAL INSTALLATION

| Single Section Units 24" (610) wide and 24" (610) high and under | |
|--|-------------|
| 'B' Damper Height | 'x' Dim. |
| 4" (102) thru 7" (178) | 1 1/2" (39) |
| 7.01" (179) thru 12" (305) | 2" (51) |
| 12.01" (306) thru 17" (432) | 2 1/2" (64) |
| 17.01" (433) thru 21" (533) | 3" (76) |
| 21.01" (534) thru 24" (610) | 3 1/2" (90) |

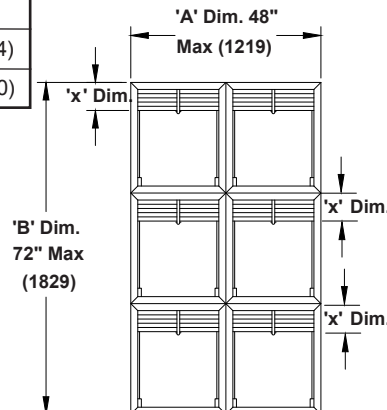


| Multiple Section Wide and Single Section 24" (610) high and under | |
|---|-------------|
| 'B' Damper Height | 'x' Dim. |
| 6" (152) thru 10" (254) | 1 1/2" (39) |
| 10.01" (255) thru 17" (432) | 2" (51) |
| 17.01" (433) thru 21" (533) | 2 1/2" (64) |
| 21.01" (534) thru 24" (610) | 3" (76) |

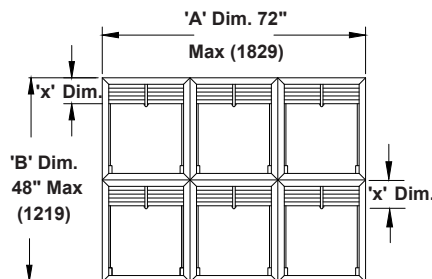
| Single Section Units above 24" (610) wide or high thru 33" (838) wide by 36" (914) high | |
|---|-------------|
| 'B' Damper Height | 'x' Dim. |
| 6" (152) thru 10" (254) | 1 1/2" (39) |
| 10.01" (255) thru 17" (432) | 2" (51) |
| 17.01" (433) thru 21" (533) | 2 1/2" (64) |
| 21.01" (534) thru 26" (660) | 3" (76) |
| 26.01" (661) thru 31" (787) | 3 1/2" (90) |
| 31.01" (788) thru 36" (914) | 4" (102) |



| 3 Section High Units | |
|-------------------------------|-------------|
| 'B' Damper Height | 'x' Dim. |
| 48.01" (1220) thru 51" (1295) | 2" (51) |
| 51.01" (1296) thru 63" (1600) | 2 1/2" (64) |
| 63.01" (1601) thru 72" (1829) | 2 3/4" (70) |

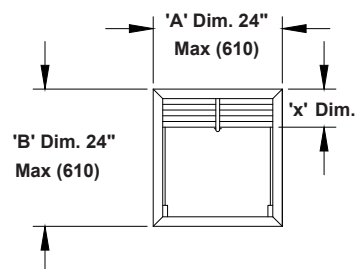


| 2 Section High Units | |
|-------------------------------|-------------|
| 'B' Damper Height | 'x' Dim. |
| 24.01" (611) thru 34" (864) | 2" (51) |
| 34.01" (865) thru 42" (1067) | 2 1/2" (64) |
| 42.01" (1068) thru 48" (1219) | 3" (76) |

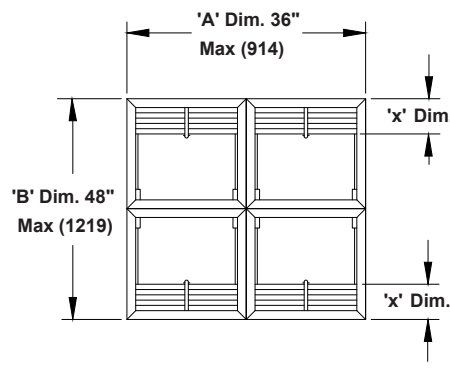
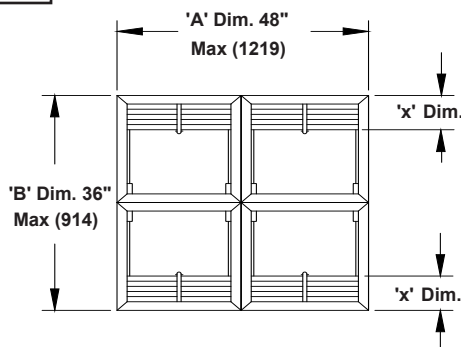


HORIZONTAL INSTALLATION

| Single Section Units 24" (610) wide or high and under | |
|---|-------------|
| 'B' Damper Height | 'x' Dim. |
| 6" (152) thru 10" (254) | 1 1/2" (39) |
| 10.01" (255) thru 17" (431) | 2" (51) |
| 17.01" (432) thru 21" (533) | 2 1/2" (64) |
| 21.01" (534) thru 24" (610) | 3" (76) |



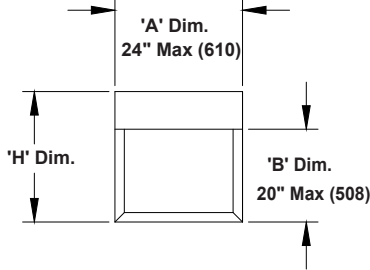
| Two Section High Units | |
|-------------------------------|-------------|
| 'B' Damper Height | 'x' Dim. |
| 18.01" (458) thru 28" (711) | 2" (51) |
| 28.01" (712) thru 42" (1067) | 2 1/2" (64) |
| 42.01" (1068) thru 48" (1219) | 2 3/4" (70) |



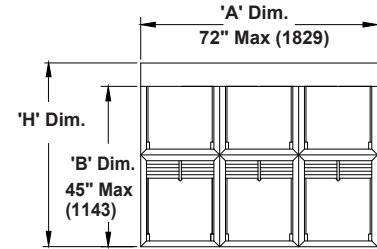
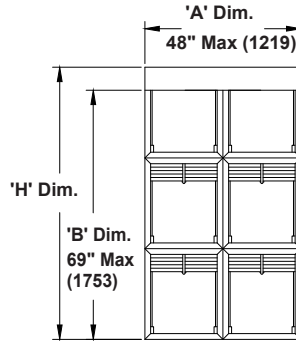
B, BC and WB DAMPERS VERTICAL INSTALLATION

'X' dim. + 'B' dim. = 'H' dim.

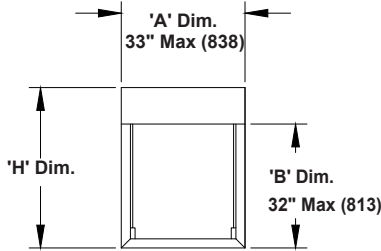
| Single Section Units 24" (610) wide and 20" (508) high and under | |
|--|--------------------------------------|
| 'B' Damper Height | 'x' Dim. |
| 4" (102) thru 8" (203) | 1 ³ / ₄ " (44) |
| 8.01" (204) thru 16" (406) | 2 ³ / ₄ " (70) |
| 16.01" (407) thru 20" (508) | 3 ³ / ₄ " (95) |



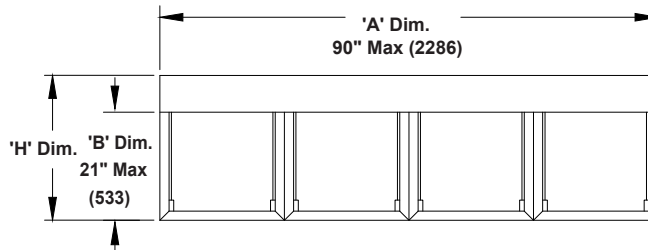
| Multiple Section Wide and High Above 21" (533) thru 69" (1753) high | |
|--|--------------------------------------|
| 'B' Damper Height | 'x' Dim. |
| 22" (559) thru 26" (660) | 1 ³ / ₄ " (44) |
| 26.01" (661) thru 69" (1753) | 2 ³ / ₄ " (70) |



| Single Section Units Above 24" (610) wide or 20" (508) high through 33" (838) wide by 32" (813) high | |
|--|--------------------------------------|
| 'B' Damper Height | 'x' Dim. |
| 4" (102) thru 12" (305) | 1 ³ / ₄ " (44) |
| 12.01" (306) thru 23" (584) | 2 ³ / ₄ " (70) |
| 23.01" (585) thru 32" (813) | 3 ³ / ₄ " (95) |



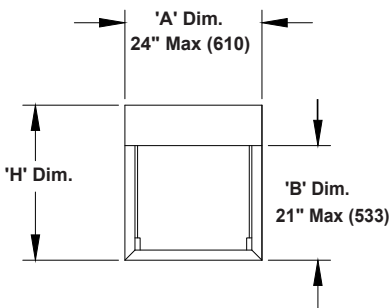
| Multiple Section Wide and Single Section High 21" (533) and under | |
|--|--------------------------------------|
| 'B' Damper Height | 'x' Dim. |
| 4" (102) thru 12" (305) | 1 ³ / ₄ " (44) |
| 12.01" (306) thru 21" (533) | 2 ³ / ₄ " (70) |



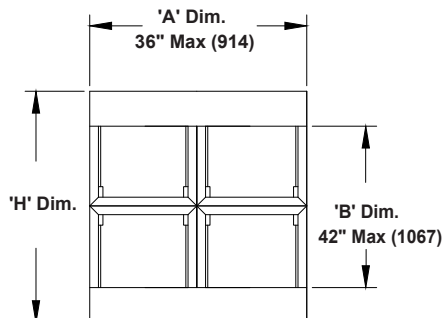
HORIZONTAL INSTALLATION

'X' dim. + 'B' dim. = 'H' dim.

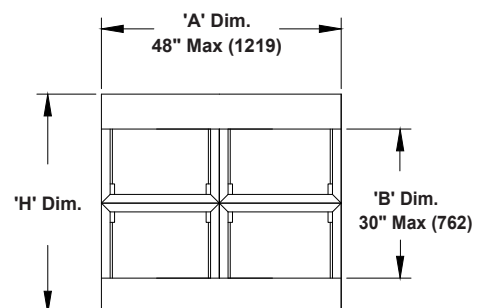
| Single Section Units 24" (610) wide and 20" (508) high and under | |
|--|--------------------------------------|
| 'B' Damper Height | 'x' Dim. |
| 4" (102) thru 10" (254) | 1 ³ / ₄ " (44) |
| 10.01" (255) thru 21" (533) | 2 ³ / ₄ " (70) |



| Multiple Section High and 36" (914) wide and under | |
|---|---------------------------------------|
| 'B' Damper Height | 'x' Dim. |
| 8" (203) thru 12" (305) | 1 ³ / ₄ " (44) |
| 12.01" (306) thru 21" (533) | 2 ³ / ₄ " (70) |
| 21.01" (534) thru 24" (610) | 3 ¹ / ₂ " (89) |
| 24.01" (611) thru 42" (1067) | 5 ¹ / ₂ " (140) |



| Multiple Section High and Over 36" (914) wide | |
|--|---------------------------------------|
| 'B' Damper Height | 'x' Dim. |
| 8" (203) thru 12" (305) | 1 ³ / ₄ " (44) |
| 12.01" (306) thru 15" (381) | 2 ³ / ₄ " (70) |
| 15.01" (382) thru 22" (559) | 3 ¹ / ₂ " (89) |
| 22.01" (560) thru 30" (762) | 5 ¹ / ₂ " (140) |

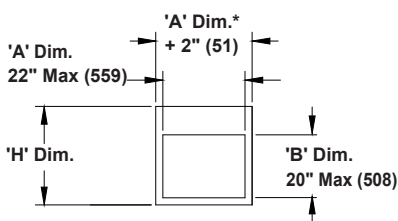


ASSEMBLY AND DIMENSIONAL INFORMATION For 2000 fpm (10.2 m/s) and 4 in. wg. (1 kPa) MAX.

C, WC, CO, WO and LO STYLE DAMPERS VERTICAL INSTALLATION

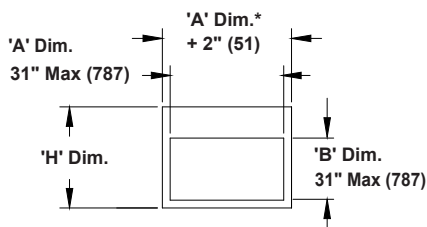
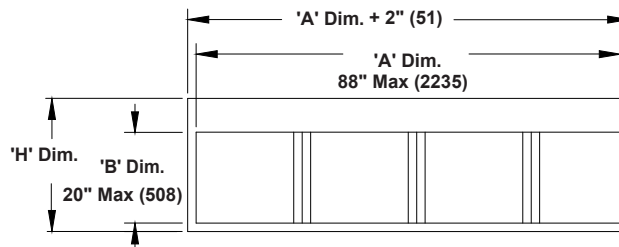
'X' dim. + 'B' dim. = 'H' dim.

| Single Section Units 24" (610) wide and 20" (508) high and under | |
|--|---------------------------------------|
| 'B' Damper Height | 'x' Dim. |
| 3" (76) thru 7" (178) | 2 ³ / ₄ " (70) |
| 7.01" (179) thru 15" (381) | 3 ³ / ₄ " (95) |
| 15.01" (382) thru 19" (483) | 4 ³ / ₄ " (121) |

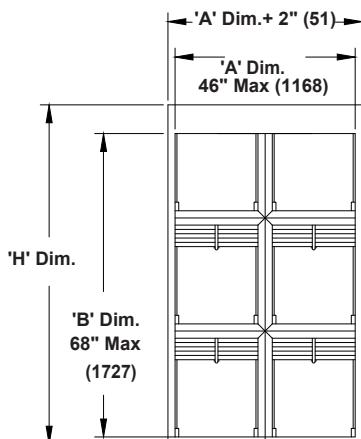


| Multiple Section Wide and Single Section High 20" (508) and under | |
|--|--------------------------------------|
| 'B' Damper Height | 'x' Dim. |
| 4" (102) thru 11" (280) | 2 ³ / ₄ " (70) |
| 11.01" (280) thru 20" (508) | 3 ³ / ₄ " (95) |

| Single Section Units Above 24" (610) wide or 20" (508) high through 33" (838) wide by 32" (813) high | |
|--|---------------------------------------|
| 'B' Damper Height | 'x' Dim. |
| 4" (102) thru 11 (280) | 2 ³ / ₄ " (70) |
| 11.01" (281) thru 22" (559) | 3 ³ / ₄ " (95) |
| 22.01" (560) thru 31" (787) | 4 ³ / ₄ " (121) |

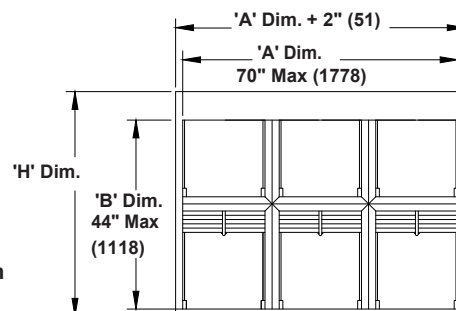


Typical Style CO, WO and LO Construction
Single section shown
(See C & WC construction for max. sizing)
LO Style is limited to single section only.



Typical Style C and WC Construction

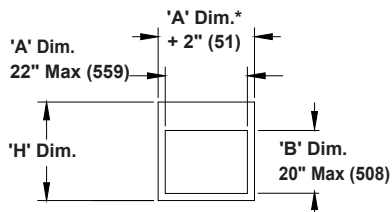
| Multiple Section Wide and High Above 20" (533) thru 68" (1727) high | |
|--|--------------------------------------|
| 'B' Damper Height | 'x' Dim. |
| 20.01" (534) thru 25" (635) | 2 ³ / ₄ " (70) |
| 25.01" (636) thru 68" (1727) | 3 ³ / ₄ " (95) |



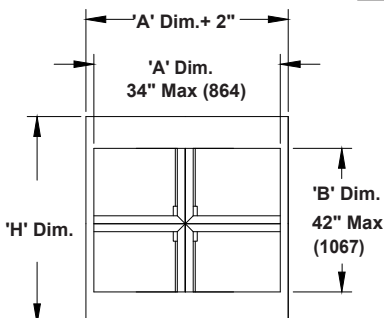
HORIZONTAL INSTALLATION

'X' dim. + 'B' dim. = 'H' dim.

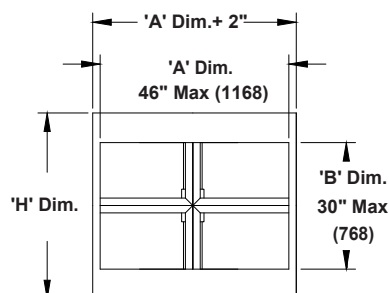
| Single Section Units 24" (610) wide and 20" (508) high and under | |
|--|--------------------------------------|
| 'B' Damper Height | 'x' Dim. |
| 4" (102) thru 9" (229) | 2 ³ / ₄ " (70) |
| 9.01" (230) thru 20" (508) | 3 ³ / ₄ " (95) |



| Multiple Section High or Wide 34" (864) wide and under | |
|---|---------------------------------------|
| 'B' Damper Height | 'x' Dim. |
| 7" (178) thru 11" (280) | 2 ³ / ₄ " (70) |
| 12.01" (306) thru 20" (508) | 3 ³ / ₄ " (95) |
| 20.01" (509) thru 24" (610) | 3 ¹ / ₂ " (89) |
| 24.01" (611) thru 42" (1067) | 5 ¹ / ₂ " (140) |



| Multiple Section High or Over 34" (864) wide | |
|---|---------------------------------------|
| 'B' Damper Height | 'x' Dim. |
| 7" (178) thru 11" (280) | 2 ³ / ₄ " (70) |
| 11.01" (281) thru 14" (356) | 3 ³ / ₄ " (95) |
| 14.01" (357) thru 24" (610) | 3 ¹ / ₂ " (89) |
| 24.01" (611) thru 30" (762) | 5 ¹ / ₂ " (140) |



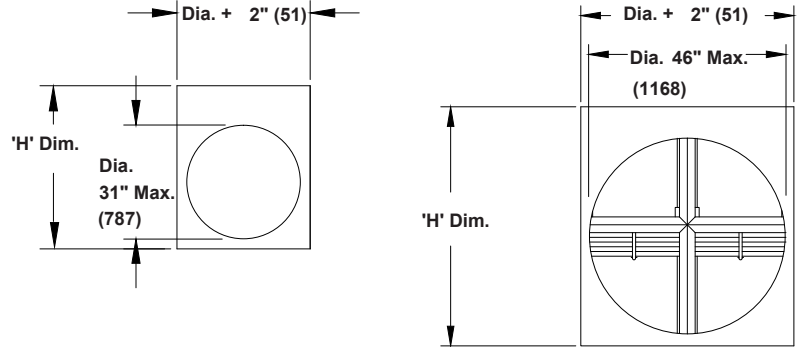
**CR, WR and LR STYLE DAMPERS
VERTICAL INSTALLATION**

'X' dim. + 'Dia' dim. = 'H' dim.

| SINGLE SECTION HIGH | |
|-----------------------------|---------------------------------------|
| 'H' DIMENSION | |
| 'Dia' Damper Height | 'x' Dim. |
| 3" (76) thru 7" (178) | 2 ³ / ₄ " (70) |
| 7.01" (179) thru 15" (533) | 3 ³ / ₄ " (95) |
| 15.01" (534) thru 19" (483) | 4 ³ / ₄ " (121) |
| 19.01" (484) thru 22" (559) | 3 ³ / ₄ " (95) |
| 22.01" (560) thru 31" (787) | 4 ³ / ₄ " (121) |

| MULTI SECTION HIGH | |
|------------------------------|--------------------------------------|
| 'H' DIMENSION | |
| 'Dia' Damper Height | 'x' Dim. |
| 32.01" (788) thru 46" (1168) | 3 ³ / ₄ " (95) |

LR Style is limited to single section only.



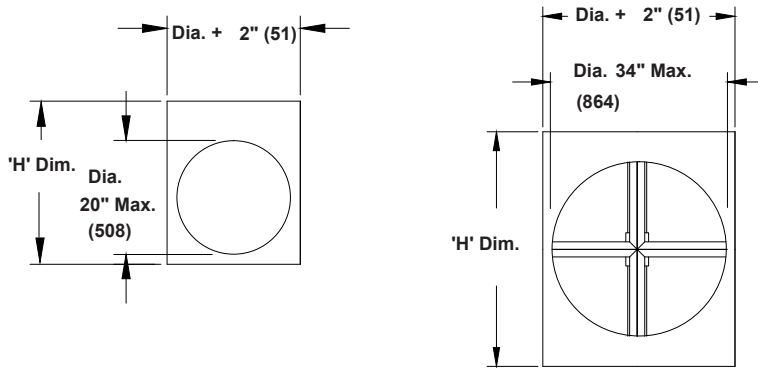
HORIZONTAL INSTALLATION

'X' dim. + 'Dia' dim. = 'H' dim.

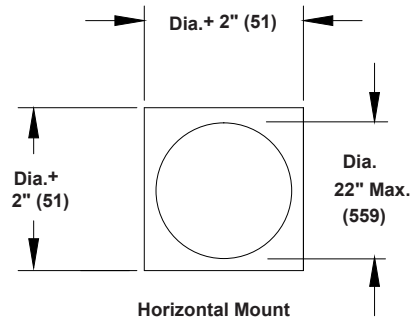
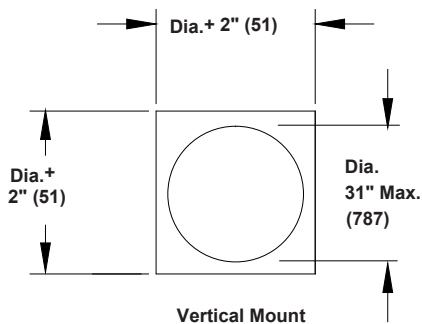
| SINGLE SECTION HIGH | |
|----------------------------|--------------------------------------|
| 'H' DIMENSION | |
| 'Dia' Damper Height | 'x' Dim. |
| 4" (102) thru 9" (228) | 2 ³ / ₄ " (70) |
| 9.01" (229) thru 20" (508) | 3 ³ / ₄ " (95) |

| TWO SECTION HIGH | |
|-----------------------------|---------------------------------------|
| 'H' DIMENSION | |
| 'Dia' Damper Height | 'x' Dim. |
| 20.01" (509) thru 24" (588) | 3 ¹ / ₂ " (89) |
| 24.01" (589) thru 34" (863) | 5 ¹ / ₂ " (140) |

LR Style is limited to single section only.



R STYLE DAMPERS VERTICAL AND HORIZONTAL INSTALLATION



ASSEMBLY AND DIMENSIONAL INFORMATION

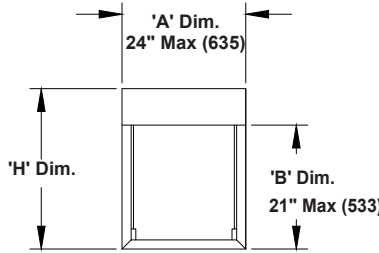
For 4000 fpm (20.3 m/s) and 4 in. wg. (1 kPa) MAX. Vertical Mount Only

For 3000 fpm (15.2 m/s) and 4 in. wg. (1 kPa) MAX. Vertical or Horizontal Mount

B, BC and WB DAMPERS

'X' dim. + 'B' dim. = 'H' dim.

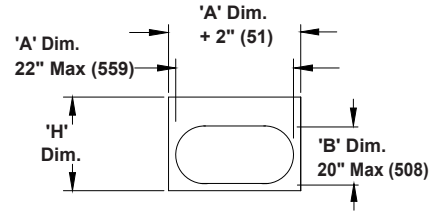
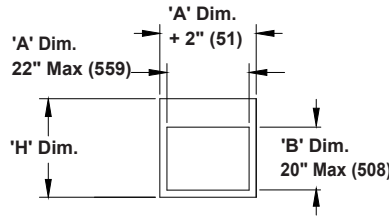
| Single Section Units | |
|-----------------------------|--------------------------------------|
| 'B' Damper Height | 'x' Dim. |
| 8" (203) thru 12" (305) | 1 ³ / ₄ " (44) |
| 12.01" (306) thru 21" (533) | 2 ³ / ₄ " (70) |



C and CO DAMPERS & WC and WO Dampers

'X' dim. + 'B' dim. = 'H' dim.

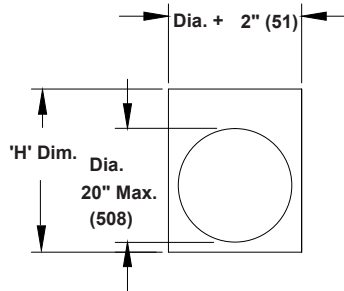
| Single Section Units | |
|-----------------------------|--------------------------------------|
| 'B' Damper Height | 'x' Dim. |
| 7" (178) thru 11" (280) | 2 ³ / ₄ " (44) |
| 11.01" (281) thru 20" (508) | 3 ³ / ₄ " (95) |



CR and WR Dampers

'X' dim. + 'Dia' dim. = 'H' dim.

| Single Section Units | |
|-----------------------------|--------------------------------------|
| 'Dia' Damper Height | 'x' Dim. |
| 7" (178) thru 11" (280) | 2 ³ / ₄ " (44) |
| 11.01" (281) thru 20" (508) | 3 ³ / ₄ " (95) |



DIBD2 SUGGESTED SPECIFICATION

Furnish and install at locations shown on the plans, or as described in schedules for curtain type fire dampers suitable for vertical wall or horizontal (masonry floor or ceiling). Dynamic fire dampers tested, constructed and labeled in accordance with the latest edition of UL Standard 555. Dampers shall have a fire rating of 1½ hours and shall meet the requirements of the latest edition of NFPA90A. Fire dampers shall be produced in an ISO 9001 certified factory .

Damper frame and blades shall be galvanized steel in gauges required by UL listing R-5531 installed in a factory mounted sleeve and shipped loose mounting angle. Damper blades shall be steel interlock to provide fire shield in gauges required by UL listing R-5531. Closure springs dampers shall be of 301 stainless steel and shall be constant force type.

Each dynamic fire damper shall include a steel sleeve and mounting angles furnished by the damper manufacturer to ensure appropriate installation. Submittal information shall include the fire protection rating, maximum velocity/pressure ratings and the manufac-

turer's UL installation instructions. The dampers shall be installed in accordance with the manufacturer's UL installation instructions. Dynamic fire dampers shall be in all respects equivalent to Ruskin model DIBD2.

Each damper shall include a 165°F (74°C), 212°F (100°C) or 285°F (141°C) fusible link and shall be labeled for use in dynamic systems. Dampers labeled for use in static systems only are not permitted. The damper shall be rated for dynamic closure at 2000 fpm (10.16 m/s) and 4 inches w.g. (1 kPa) static pressure and shall be rated to close with airflow in either direction

Optional FM Approvals Specification

Each fire damper shall be listed in Factory Mutual (FM) Approvals Specification Tested Product and labeled accordingly.

Dynamic fire dampers shall be Ruskin model DIBD2

(Consult www.ruskin.com for electronic version of this "Quick" spec as well as for complete 3- part CSI MasterFormat Specifications)



3900 Dr. Greaves Rd.
Kansas City, MO 64030
(816) 761-7476
FAX (816) 765-8955
www.ruskin.com