



3900 Dr. Greaves Rd. • Kansas City, MO 64030 • (816) 761-7476 • FAX (816) 765-8955

**ELF6375DXD DRAINABLE STATIONARY LOUVER**

**MIAMI-DADE APPROVED**

**MIAMI-DADE COUNTY, FLORIDA NOTICE OF ACCEPTANCE NUMBER: #16-1107.02 (Expires 7/9/21)  
2014 Florida Product Approval FL21829.3**

**STANDARD CONSTRUCTION**

**FRAME**

Box frame, 6" (152) deep, 6063T6 extruded aluminum with .081" (2.1) nominal wall thickness. Downspouts and caulking surface provided.

Universal Installation Frame: Same material and gages as above with flange.

**BLADES**

6063T6 extruded aluminum .081" (2.1) nominal wall thickness. Drainable blades are positioned at 37 1/2° angle.

**SCREEN**

5/8" x .040" (16 x 1) expanded, flattened aluminum bird screen in removable frame.

**FINISH**

Mill.

**APPROXIMATE SHIPPING WEIGHT**

14 lbs./ft. (68 kg/per m')

**MINIMUM SIZE**

12"w x 12"h (305 x 305).

**MAXIMUM SIZE**

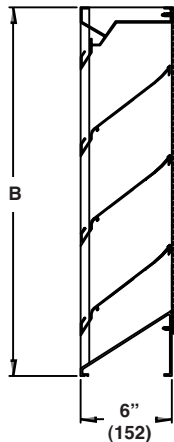
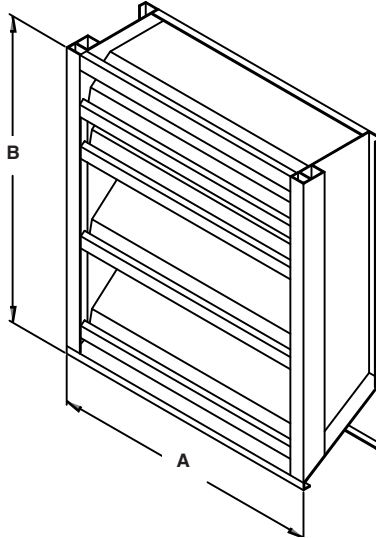
Box Frame and Universal Installation Frame: 88"w x 120"h (2236 x 3048) factory assembly, unlimited width x 120"h (3048) field assembly.

**INSTALLATION**

The ELF6375DXD must be installed per the appropriate Installation Detail. Reference the appropriate separate Installation Instruction Sheets.

Consult Ruskin for additional information.

Dimensions in inches, parenthesis ( ) indicate millimeters.



**FEATURES**

- Box Frame construction for use in cast-in-place concrete, grout filled CMU, Wood and steel installations.
- Approved for use in open structures with provisions to manage weather infiltration (wet rooms).
- Maximum windload ±148 PSF (7.08 kPa).
- 57% Free Area.
- Published performance ratings based on testing in accordance with AMCA Publication 500-L.
- Approved for use in closed structures with provisions to manage weather infiltration when combined with optional CD550 control damper.

**VARIATIONS**

- Universal Flange Frame construction when fasteners penetrating the wall are not utilized.
- Optional finishes available at additional cost: prime coat, 50% PVDF (modified fluoropolymer), epoxy, Acrodize, 70% PVDF, clear and color anodize. (Some variations in anodize color consistency is possible.)

Consult Ruskin for other special requirements.

\*Please provide Rough Opening Dimensions for "A" and "B" dimensions. Unless ordered as actual size, the louver will be provided 1/2" (12) smaller than the "A" and "B" dimensions provided.

ELF6375DXD meets the requirements for the following:

- AMCA Listed for Basic Protection
- Miami-Dade NOA Approval 16-1107.02
- Florida Product Approved FL12226.2
- Texas Department of Insurance (TDI) Listed LVR-10
- AMCA 500-L Tested

Please reference our website [www.ruskin.com](http://www.ruskin.com) for up to date LEED® information.



**IMPACT RESISTANT LOUVER**  
*Basic Protection*

See [www.AMCA.org](http://www.AMCA.org) for all certified or listed products

This label does not signify AMCA airflow performance certification.

Ruskin certifies that the ELF6375DXD shown herein is approved to bear the AMCA Listing Label. The ratings shown are based on tests and procedures performed in accordance with AMCA Publications and comply with the requirements of the AMCA Listing Label Program.

The AMCA Listing Label applies to Wind Borne Debris Impact Resistant Louvers.

TAG	QTY.	SIZE		FRAME	WALL DEPTH	VARIATIONS
		A*-WIDE	B*-HIGH			
<b>PROJECT</b>				<b>LOCATION</b>		
<b>ARCH./ENGR.</b>				<b>CONTRACTOR</b>		
<b>REPRESENTATIVE</b>				<b>DATE</b>		

## SUGGESTED SPECIFICATION

Furnish and install louvers as hereinafter specified where shown on plans or as described in schedules. Drainable stationary louver meeting the performance criteria established by the Florida Building Code and Miami-Dade County. Combination louvers shall be certified to FBC standards TAS 201 (Large Missile Impact), TAS 202 (Uniform Static Air Pressure) and TAS 203 (Cyclic Wind Loading). Louvers shall be manufactured in an ISO 9001 certified factory.

Louvers shall be stationary type contained within a 6" (152) frame. Louver components (heads, jambs, sills, blades, and mullions) shall be factory assembled by the louver manufacturer. Louver sizes too large for shipping shall be built up by the contractor from factory assembled louver sections to provide overall sizes required.

Louvers shall be Ruskin Model ELF6375DXD construction as follows:

### MATERIAL

Frame: .081" (2.1) aluminum channel.

Blades: .081" (2.1) nominal wall thickness.

Extended .081" (2.1) wall thickness with upturned side panels to

Screen:  $\frac{5}{8}$ " mesh x .040" (16 x 1) expanded flattened aluminum bird screen in removable frame. Drainable blades are positioned at  $37\frac{1}{2}^\circ$ .

Finish: Select finish specification from Ruskin/Valspar Finishes Brochure.

Published louver performance data bearing the AMCA Certified Ratings Seal for Air Performance and Water Penetration must be submitted for approval prior to fabrication and must demonstrate pressure drop equal to or less than the Ruskin model specified.

### STRUCTURAL DESIGN

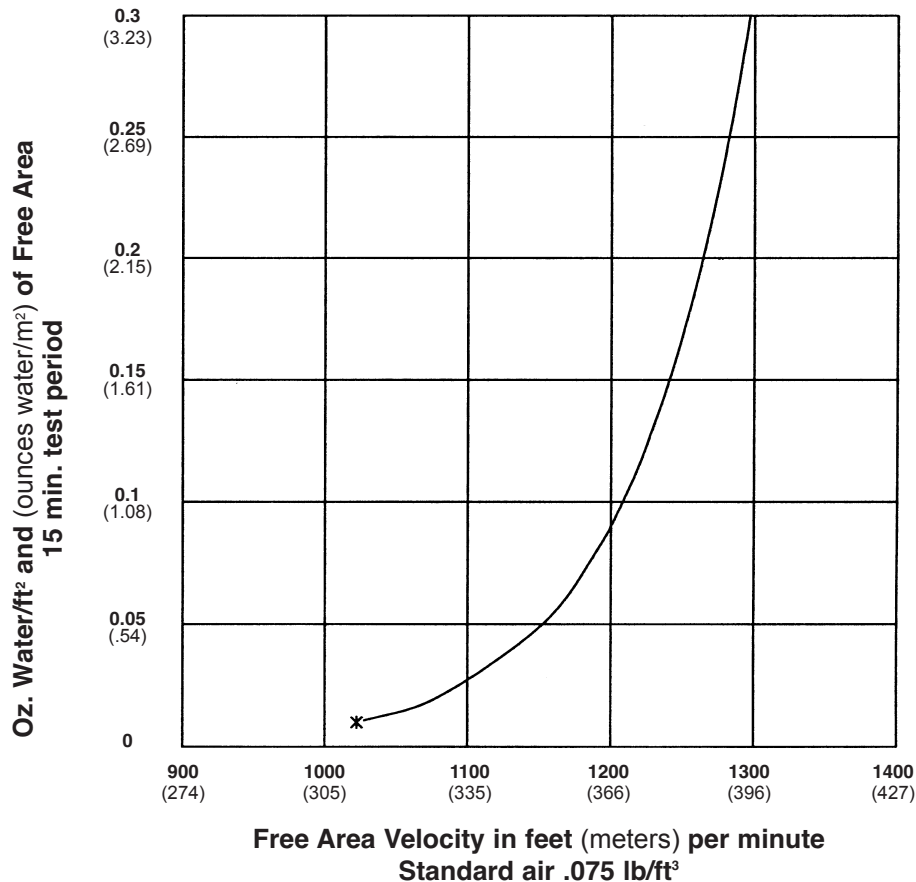
Integral structural supports shall be designed and furnished by the louver manufacturer to carry a wind load of not less than  $\pm 148$  psf (7.08 kPa).

## PERFORMANCE DATA

### WATER PENETRATION

Test size 48" wide x 48" high (1219 x 1219)

Beginning point of water penetration at .01 oz./sq. ft. is 1023 fpm (312 m/min).



# PERFORMANCE DATA

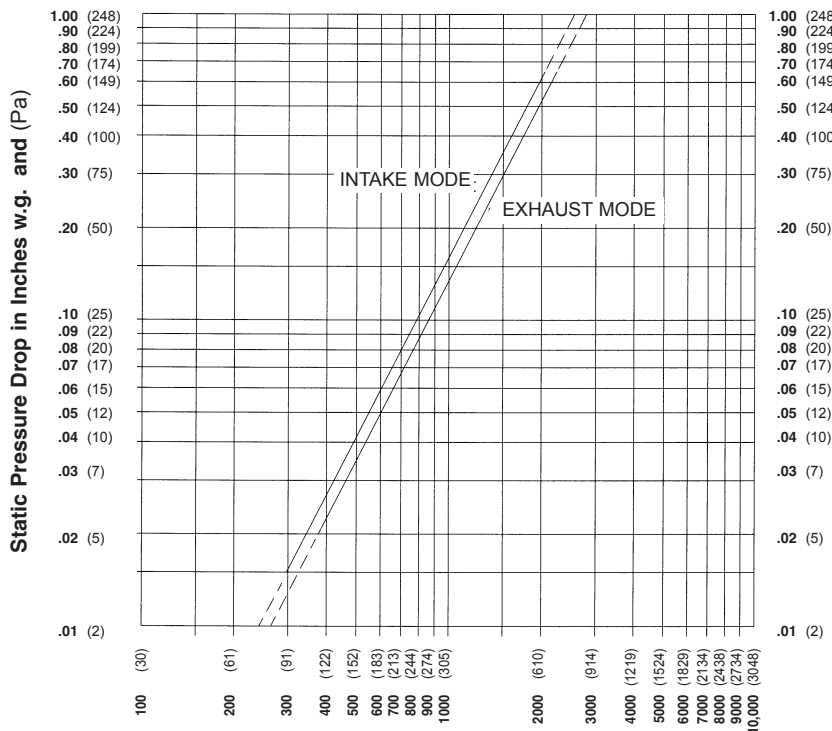
## FREE AREA GUIDE

Free Area Guide shows free area in ft<sup>2</sup> and m<sup>2</sup> for various sizes of ELF6375DXD.  
Width – Inches and Meters

Height – Inches and Meters	12	18	24	30	36	42	48	54	60	66	72	78	84	88
	0.30	0.46	0.61	0.76	0.91	1.07	1.22	1.37	1.52	1.68	1.83	1.98	2.13	2.24
12	0.35	0.57	0.78	0.99	1.20	1.41	1.63	1.84	2.05	2.26	2.48	2.69	2.90	3.04
0.30	0.03	0.05	0.07	0.09	0.11	0.13	0.15	0.17	0.19	0.21	0.23	0.25	0.27	0.28
18	0.62	1.00	1.37	1.75	2.12	2.49	2.87	3.24	3.62	3.99	4.37	4.74	5.11	5.36
0.46	0.06	0.09	0.13	0.16	0.20	0.23	0.27	0.30	0.34	0.37	0.41	0.44	0.48	0.50
24	0.89	1.43	1.97	2.50	3.04	3.57	4.11	4.65	5.18	5.72	6.25	6.79	7.33	7.68
0.61	0.08	0.13	0.18	0.23	0.28	0.33	0.38	0.43	0.48	0.53	0.58	0.63	0.68	0.71
30	1.16	1.86	2.56	3.26	3.96	4.65	5.35	6.05	6.75	7.45	8.14	8.84	9.54	10.01
0.76	0.11	0.17	0.24	0.30	0.37	0.43	0.50	0.56	0.63	0.69	0.76	0.82	0.89	0.93
36	1.43	2.29	3.15	4.01	4.87	5.73	6.59	7.45	8.31	9.17	10.03	10.89	11.75	12.33
0.91	0.13	0.21	0.29	0.37	0.45	0.53	0.61	0.69	0.77	0.85	0.93	1.01	1.09	1.15
42	1.70	2.73	3.75	4.77	5.79	6.81	7.84	8.86	9.88	10.90	11.92	12.95	13.97	14.65
1.07	0.16	0.25	0.35	0.44	0.54	0.63	0.73	0.82	0.92	1.01	1.11	1.20	1.30	1.36
48	1.97	3.16	4.34	5.53	6.71	7.89	9.08	10.26	11.45	12.63	13.81	15.00	16.18	16.97
1.22	0.18	0.29	0.40	0.51	0.62	0.73	0.84	0.95	1.06	1.17	1.28	1.39	1.50	1.58
54	2.24	3.59	4.94	6.28	7.63	8.97	10.32	11.67	13.01	14.36	15.70	17.05	18.40	19.29
1.37	0.21	0.33	0.46	0.58	0.71	0.83	0.96	1.08	1.21	1.34	1.46	1.59	1.71	1.79
60	2.51	4.02	5.53	7.04	8.55	10.05	11.56	13.07	14.58	16.09	17.59	19.10	20.61	21.61
1.52	0.23	0.37	0.51	0.65	0.79	0.93	1.08	1.22	1.36	1.50	1.64	1.78	1.92	2.01
66	2.78	4.45	6.12	7.79	9.46	11.13	12.80	14.47	16.14	17.81	19.48	21.15	22.82	23.94
1.68	0.26	0.41	0.57	0.72	0.88	1.04	1.19	1.35	1.50	1.66	1.81	1.97	2.12	2.23
72	3.05	4.89	6.72	8.55	10.38	12.21	14.04	15.88	17.71	19.54	21.37	23.20	25.04	26.26
1.83	0.28	0.45	0.62	0.80	0.97	1.14	1.31	1.48	1.65	1.82	1.99	2.16	2.33	2.44
78	3.32	5.32	7.31	9.30	11.30	13.29	15.29	17.28	19.27	21.27	23.26	25.26	27.25	28.58
1.98	0.31	0.49	0.68	0.87	1.05	1.24	1.42	1.61	1.79	1.98	2.16	2.35	2.53	2.66
84	3.59	5.75	7.90	10.06	12.22	14.37	16.53	18.68	20.84	23.00	25.15	27.31	29.46	30.90
2.13	0.33	0.53	0.74	0.94	1.14	1.34	1.54	1.74	1.94	2.14	2.34	2.54	2.74	2.87
90	3.86	6.18	8.50	10.82	13.13	15.45	17.77	20.09	22.41	24.72	27.04	29.36	31.68	33.22
2.29	0.36	0.57	0.79	1.01	1.22	1.44	1.65	1.87	2.08	2.30	2.51	2.73	2.95	3.09
96	4.13	6.61	9.09	11.57	14.05	16.53	19.01	21.49	23.97	26.45	28.93	31.41	33.89	35.54
2.44	0.38	0.61	0.85	1.08	1.31	1.54	1.77	2.00	2.23	2.46	2.69	2.92	3.15	3.31
102	4.40	7.04	9.69	12.33	14.97	17.61	20.25	22.90	25.54	28.18	30.82	33.46	36.10	37.87
2.59	0.41	0.66	0.90	1.15	1.39	1.64	1.88	2.13	2.37	2.62	2.87	3.11	3.36	3.52
108	4.67	7.48	10.28	13.08	15.89	18.69	21.50	24.30	27.10	29.91	32.71	35.51	38.32	40.19
2.74	0.43	0.70	0.96	1.22	1.48	1.74	2.00	2.26	2.52	2.78	3.04	3.30	3.56	3.74
114	4.94	7.91	10.87	13.84	16.81	19.77	22.74	25.70	28.67	31.63	34.60	37.57	40.53	42.51
2.90	0.46	0.74	1.01	1.29	1.56	1.84	2.11	2.39	2.67	2.94	3.22	3.49	3.77	3.95
120	5.21	8.34	11.47	14.60	17.72	20.85	23.98	27.11	30.23	33.36	36.49	39.62	42.75	44.83
3.05	0.48	0.78	1.07	1.36	1.65	1.94	2.23	2.52	2.81	3.10	3.39	3.68	3.98	4.17

## PRESSURE DROP

Test size 48" wide x 48" high (1219 x 1219)



Air Velocity in feet and (meters) per minute through Free Area

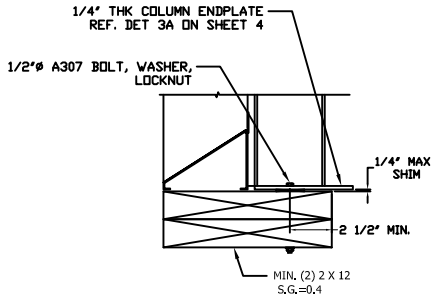
(Data corrected to standard air density and AMCA figure tested to 5.5)

Ratings do not include the effect of a bird screen.

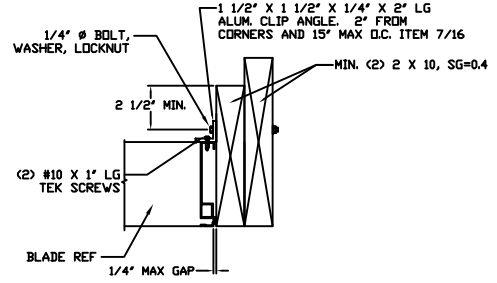


Ruskin® Company certifies that the ELF6375DXD louver shown herein is licensed to bear the AMCA Seal. The ratings shown are based on tests and procedures performed in accordance with AMCA Publication 511 and comply with the requirements of the AMCA Certified Ratings Program. The AMCA Certified Ratings Seal applies to air performance ratings and water penetration ratings only.

# INSTALLATION DATA

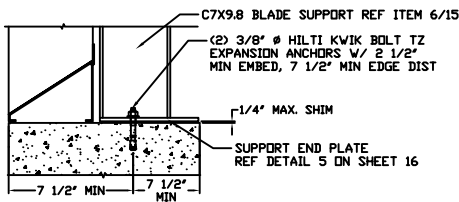


1 SILL DETAIL - WOOD SUBSTRATE (HEAD SIM)  
- N.T.S.  
REF DETAIL 2A/9, 2B/10, 2C/11, 2H/12 FOR ALTERNATE SUBSTRATE MATERIALS

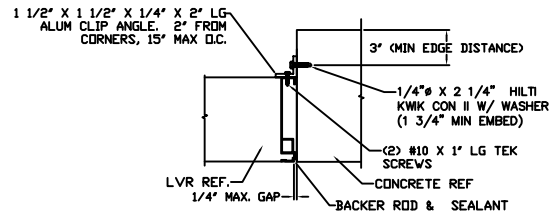


2 JAMB DETAIL - WOOD SUBSTRATE  
- N.T.S.  
REF DETAIL 1A/6, 1B/6, 1C/7, 1D/7, 1E/8 FOR ALTERNATE FRAME MATERIALS

## STANDARD WOOD INSTALLATION

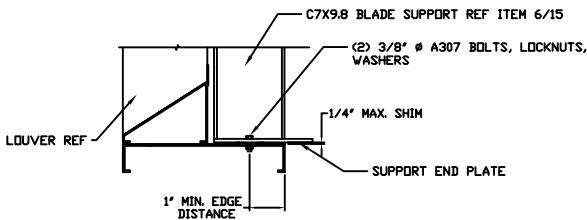


3 SUPPORT ATTACHMENT - CONCRETE SLAB  
- N.T.S.  
3000 PSI MIN CONCRETE  
NOTE EDGE DIST REQUIREMENTS

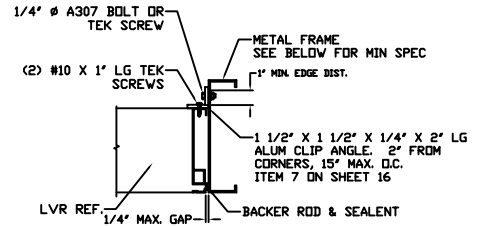


4 JAMB DET - CONCRETE  
- N.T.S.  
3000 MIN COMPRESSIVE STRENGTH  
NOTE EDGE DISTANCE REQUIREMENTS

## STANDARD CONCRETE INSTALLATION

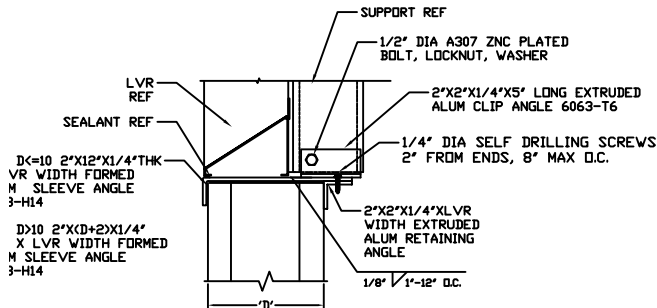


5 SUPPORT ATTACHMENT - METAL SUBSTRATE  
- N.T.S.  
14 GA STEEL MIN. SUBSTRATE THICKNESS  
1/8" THK ALUM MIN. SUBSTRATE THICKNESS  
SILL SHOWN, HEAD SIM

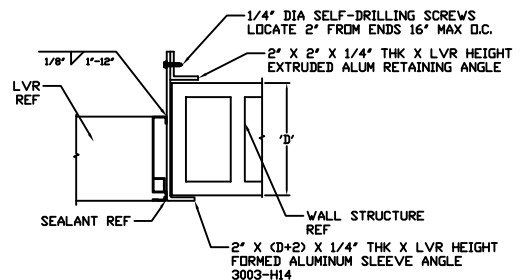


6 JAMB DET - METAL SUBSTRATE  
- N.T.S.  
14 GA STEEL MIN. SUBSTRATE  
1/8" THK ALUM MIN. SUBSTRATE

## STANDARD STEEL INSTALLATION



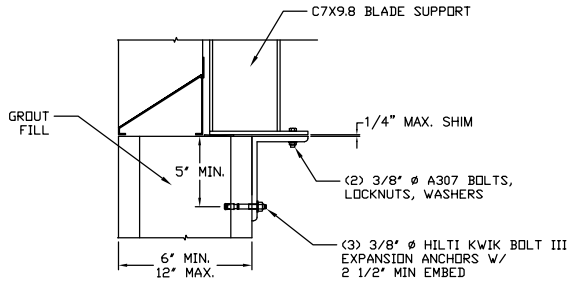
7 SUPPORT ATTACHMENT - UNIVERSAL SLEEVE  
- N.T.S.



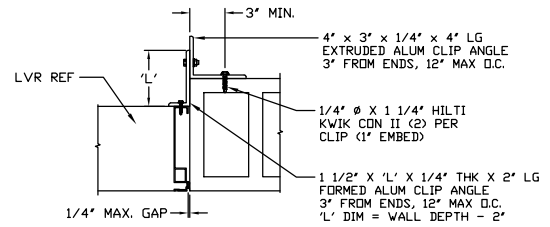
8 JAMB DET - UNIVERSAL SLEEVE  
- N.T.S.

## STANDARD UNIVERSAL SLEEVE INSTALLATION

# FRAME CONSTRUCTION (CONTINUED)



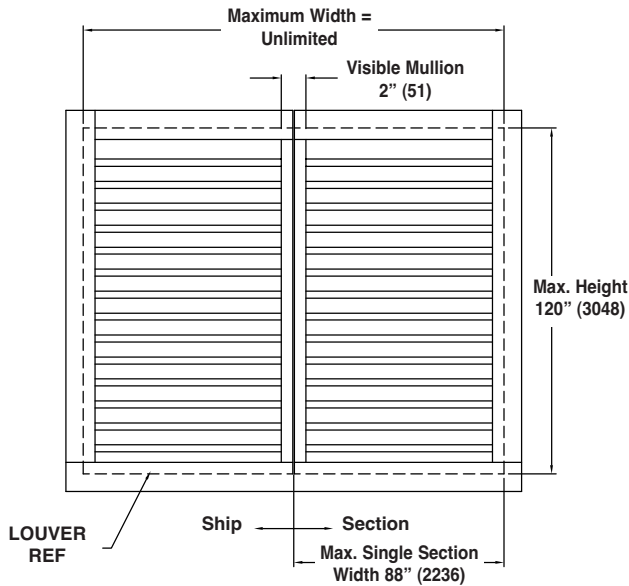
**9** SUPPORT ATTACHMENT 6",8",10",12" - CMU BLOCK  
 N.T.S.  
 MIN PRISM STR OF 1500 PSI AT INSTALLATION  
 TYPE I, N, LIGHT, MED, NORMAL WEIGHT ASTM C90  
 GROUT MUST COMPLY WITH FBC SECT 2103.12  
 TYPE N, S, OR M MORTAR PER FBC SECT 2103.8



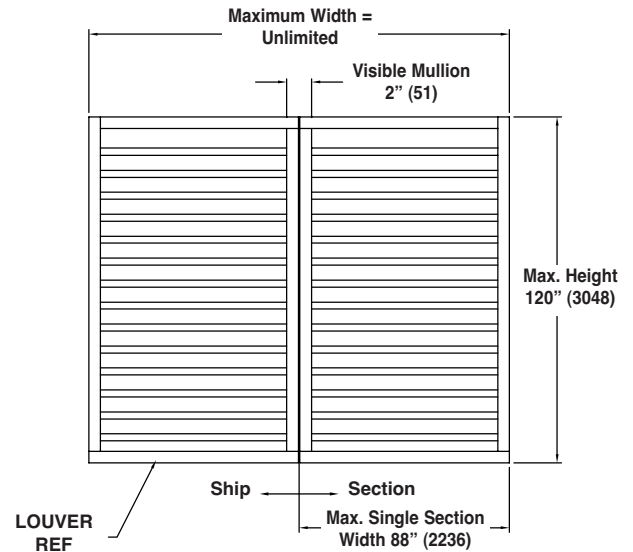
**10** JAMB DET - CMU  
 N.T.S.  
 MIN PRISM STR OF 1500 PSI AT INSTALLATION  
 TYPE I, GRADE N, LIGHT, MED, NORMAL WEIGHT ASTM C90  
 GROUT MUST COMPLY WITH FBC SECT 2103.12  
 TYPE N, S, OR M MORTAR PER FBC SECT 2103.8

## STANDARD CMU WALL INSTALLATION

# FRAME CONSTRUCTION ELEVATION



**VFF INSTALLATION**



**BOX FRAME INSTALLATION**

### GENERAL NOTES:

1. Reference separate Installation Instruction sheets for installation details. Each frame style has a distinct installation method that must be compiled with for Miami-Dade Approval. It is the responsibility of the installing contractor to properly install the louvers per the appropriate detail.
2. On special orders, Ruskin may provide submittal and/or shop drawings. Reference these drawings for additional installation information.
3. Continuous angles and fasteners supplied with UFF louvers are shipped loose.
4. Louvers may be provided with hidden vertical blade supports (HVBS) that increase overall installation depth by several inches. Consult Ruskin Louver Engineering for exact HVBS depth.
5. Louvers wider than the maximum single section width will be shipped in multiple sections and will require field assembly.

***RUSKIN***®

3900 Dr. Greaves Rd.  
Kansas City, MO 64030  
(816) 761-7476  
FAX (816) 765-8955  
[www.ruskin.com](http://www.ruskin.com)