

FSAF120A

On/Off, Spring Return Fail-Safe, 120 VAC



Technical Data	
Power Supply	120 VAC \pm 10%, 50/60 Hz
Power Consumption Running	28 W, 38 VA
Power Consumption Holding	10 W, 24 VA, End stop 54 VA, 0.5 A slow blow fuse *
Shaft Diameter	1/2" to 1.05" round, centers on 3/4" with insert, 1.05" without insert
Electrical Connection	3 ft., 18 GA appliance cable, 1/2" conduit connector
Overload Protection	electronic throughout 0° to 95° rotation
Electrical Protection	grounded enclosure, 120V
Angle of Rotation	95°
Torque	180 in-lbs [20 Nm] minimum
Direction of Rotation	reversible with CW/CCW mounting
Position Indication	visual indicator, 0° to 95° (0° is full spring return position)
Manual Override	No
Running Time (Motor)	<25 seconds
Running Time (Fail-Safe)	<15 seconds at ambient temperature
Humidity	5 to 95% RH non condensing (EN 60730-1)
Ambient Temperature Range	32°F to +122°F [0°C to +50°C]
Storage Temperature Range	-40°F to +176°F [-40°C TO +80°C]
Housing	NEMA type 1 / IP40
Housing Material	zinc coated steel
Gears	steel, permanently lubricated
Agency Listings†	cULus listed to UL60730-1A:02; UL 60730-2-14:02 and CAN/CSA-E60730-1:02; Listed to UL 2043 - suitable for use in air plenums per Section 300.22(C) of the NEC and Section 602 of the IMC
Noise Level (Motor)	<45 dB (A)
Noise Level (Fail-Safe)	<62 dB (A)
Servicing	maintenance free
Quality Standard	ISO 9001, RoHS (EU-Directive 2011/65/EU)
Weight	6.5 lbs (2.95 kg)

† UL File XAPX.E108966

Fire & Smoke, 180 in-lb at 350°F for 30 min., 25 sec. drive, 15 sec. spring

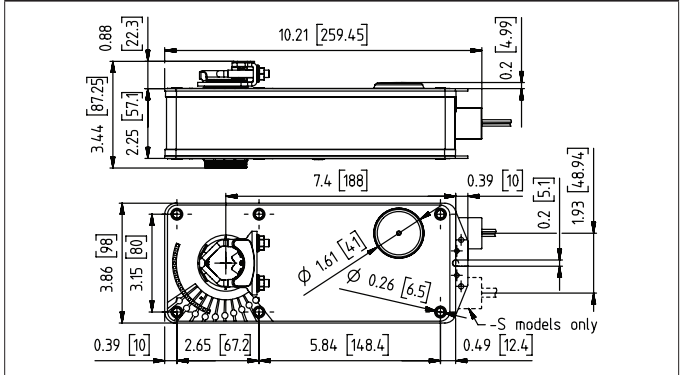
Application

The FSAF_A actuators provide true spring return operation for reliable fail-safe application and positive close-off on UL555S dampers. The spring return system provides constant torque to the damper with and without power applied to the actuator. The FSAF_A series provides 95° of rotation and is provided with a graduated position indicator showing 0 to 95°.

Operation

The FSAF_A series actuators are mounted to the damper axle shaft or jackshaft (1/2" to 1.05") via a cold-weld clamp. Teeth in the clamp and V-bolt dig into the metal of both solid and hollow shafts maintaining a perfect connection. The specially designed clamp will not crush hollow shafts. The bottom end of the actuator is held by an anti-rotation strap or by a stud provided by the damper manufacturer. The actuator is mounted in its fail safe position with the damper blade(s) closed. Upon applying power, the actuator drives the damper to the open position. The internal spring is tensioned at the same time. If the power supply is interrupted, the spring moves the damper back to its fail-safe position.

Dimensions (Inches[mm])



Safety Notes

* Neither UL nor Belimo require local over-current protection. The FSAF_A actuators draw higher peak current when driving against any type of stop. After 10 seconds current drops to the lower holding level. If used, this requires the value of a local fuse or breaker to be increased to avoid nuisance opening or tripping. A 2 A slow blow should be used for 24 VAC. A 0.5 A slow blow should be used for 120 VAC. A 0.25 A slow blow should be used for 230 VAC and a 0.3 A slow blow for 208 VAC.

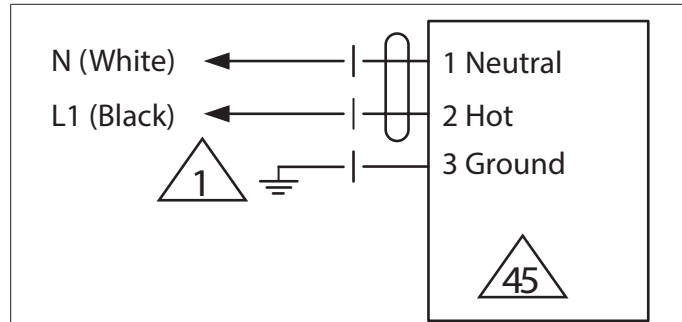
Accessories	
AF-P	Anti-Rotation Bracket
IND-AFB	AFB/NFB position indicator
KG8	Ball joint (5/16", 90°)
KH-AFB	AFB/NFB crankarm, 3/4" shafts
SH8	Push rod for KG6 & KG8 Ball Joints (36", 5/16" Dia.)
TOOL-06	8 mm and 10 mm Wrench
ZG-100	Right Angle (17"H x 11 1/8"W x 6 1/4" base)
ZG-101	Right Angle (13"H x 11 1/32"W x 6 1/8" base)
ZG-102	Multiple Actuator Mounting Bracket
ZG-AFB	AFB/NFB Crankarm Adaptor Kit
ZG-AFB118	AFB/NFB Crankarm Adaptor Kit
ZS-100	Weather Shield - Galvaneal
ZS-150	Weather Shield - Polycarbonate
ZS-260	Explosion Proof Housing
ZS-300	NEMA 4X, 304 Stainless Steel Enclosure
BAE165 US	165°F electric thermal sensor. SPST, NC
S2A-F US	Auxiliary Switch, 2x SPDT, 3A (0.5A inductive) @ 250 VAC

Typical Specification

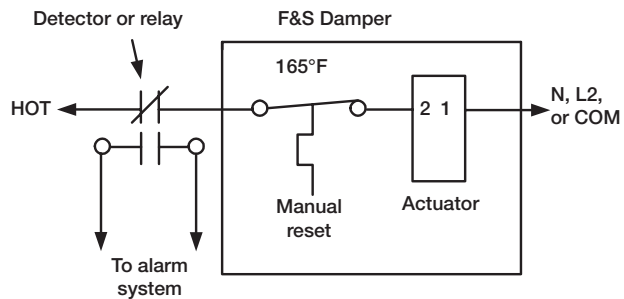
All smoke and combination fire and smoke dampers shall be provided with Belimo FSTF, FSLF, FSNF, or FSAF actuators. All substitutions must be approved before submission of bid. Damper and actuator shall have UL 555S Listing for 250°F &/or 350°F. Actuator shall have been tested to UL 2043 per requirements of IMC 602.2 and NEC 300.22 (c). Where position indication is required -S models with auxiliary switches or damper blade switches will be provided per code requirements.

Wiring Diagrams

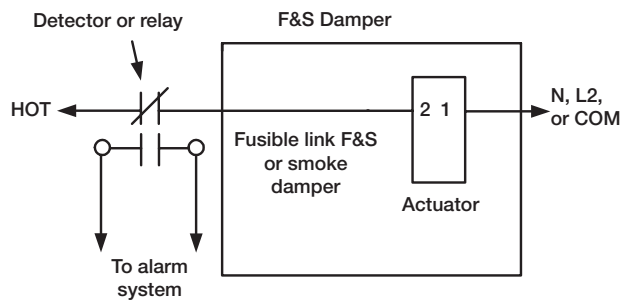
- Provide overload protection and disconnect as required.
- Actuators may be powered in parallel. Power consumption must be observed.
- Ground present on some models.



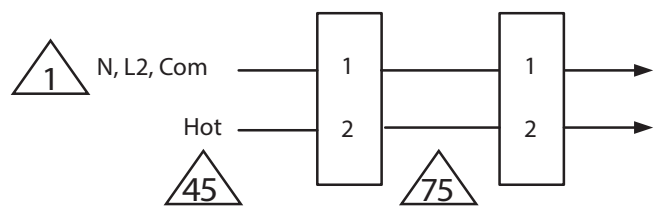
120 VAC



Typical containment damper control wiring



Typical smoke or fusible link damper wiring



Parallel Actuator Wiring