



MIAMI-DADE COUNTY
 PRODUCT CONTROL SECTION
 11805 SW 26 Street, Room 208
 Miami, Florida 33175-2474
 T (786) 315-2590 F (786) 315-2599
www.miamidade.gov/economy

DEPARTMENT OF REGULATORY AND ECONOMIC RESOURCES (RER)
 BOARD AND CODE ADMINISTRATION DIVISION
NOTICE OF ACCEPTANCE (NOA)

Ruskin Company
3900 Dr. Greaves Road
Grandview, MO 64030

SCOPE: This NOA is being issued under the applicable rules and regulations governing the use of construction materials. The documentation submitted has been reviewed and accepted by Miami-Dade County RER-Product Control Section to be used in Miami Dade County and other areas where allowed by the Authority Having Jurisdiction (AHJ).

This NOA shall not be valid after the expiration date stated below. The Miami-Dade County Product Control Section (In Miami Dade County) and/or the AHJ (in areas other than Miami Dade County) reserve the right to have this product or material tested for quality assurance purposes. If this product or material fails to perform in the accepted manner, the manufacturer will incur the expense of such testing and the AHJ may immediately revoke, modify, or suspend the use of such product or material within their jurisdiction. RER reserves the right to revoke this acceptance, if it is determined by Miami-Dade County Product Control Section that this product or material fails to meet the requirements of the applicable building code.

This product is approved as described herein, and has been designed to comply with the Florida Building Code, including the High Velocity Hurricane Zone.

DESCRIPTION: Model PHB637HDXD Aluminum Penthouse Louver

APPROVAL DOCUMENT: Drawing No. **60-021966**, titled "PHB637HDXD PENTHOUSE", sheets 1 through 13 of 13, prepared by Ruskin Company, dated 01/09/2006, with last revision H dated 09/22/2015, signed and sealed by Chelsea GQ Welch, P.E., bearing the Miami-Dade County Product Control renewal stamp with the Notice of Acceptance number and expiration date by the Miami-Dade County Product Control Section.

MISSILE IMPACT RATING: Large and Small Missile Impact Resistant

LABELING: Each unit shall bear a permanent label with the manufacturer's name or logo, Geneva, AL, model/series, and following statement: "Miami-Dade County Product Control Approved", unless otherwise noted herein.

LIMITATION: This system is to be installed in a location where the room behind the louver is designed to drain water penetrating into the room, and the room will house water resistant/water proof equipment, components, or supplies.

RENEWAL of this NOA shall be considered after a renewal application has been filed and there has been no change in the applicable building code negatively affecting the performance of this product.

TERMINATION of this NOA will occur after the expiration date or if there has been a revision or change in the materials, use, and/or manufacture of the product or process. Misuse of this NOA as an endorsement of any product, for sales, advertising or any other purposes shall automatically terminate this NOA. Failure to comply with any section of this NOA shall be cause for termination and removal of NOA.

ADVERTISEMENT: The NOA number preceded by the words Miami-Dade County, Florida, and followed by the expiration date may be displayed in advertising literature. If any portion of the NOA is displayed, then it shall be done in its entirety.

INSPECTION: A copy of this entire NOA shall be provided to the user by the manufacturer or its distributors and shall be available for inspection at the job site at the request of the Building Official.

This NOA **renews NOA # 15-0930.09** and consists of this page 1 and evidence page E-1, as well as approval document mentioned above.

The submitted documentation was reviewed by **Carlos M. Utrera, P.E.**



[Signature]
 04/07/2017

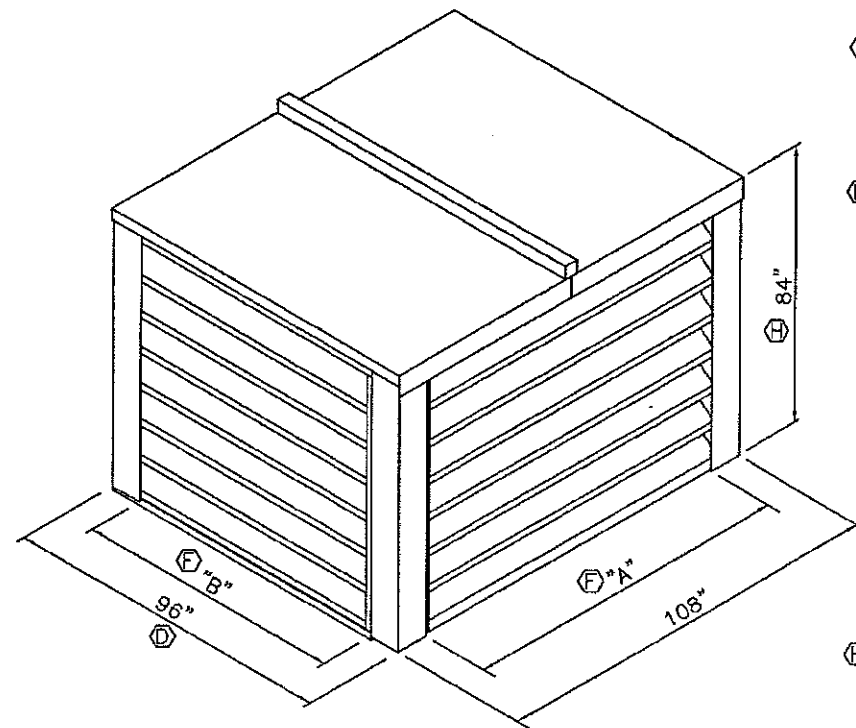
NOA No. 17-0313.04
 Expiration Date: April 26, 2018
 Approval Date: April 20, 2017
 Page 1

NOTICE OF ACCEPTANCE: EVIDENCE SUBMITTED

- A. DRAWINGS “Submitted under NOA #15-0930.09”**
1. Drawing No. **60-021966**, titled “PHB637HDXD PENTHOUSE”, sheets 1 through 13 of 13, prepared by Ruskin Company, dated 01/09/2006, with last revision H dated 09/22/2015, signed and sealed by Chelsea GQ Welch, P.E.
- B. TESTS “Submitted under NOA # 06-1101.08”**
1. Test report on TAS 201-Large Missile Impact Test, TAS 203-Cyclic Wind Pressure Test and TAS 202-Uniform Static Air Pressure Test titled "Ruskin Company STRUCTURAL PERFORMANCE TEST", prepared by National Certified Testing Laboratories, Test Report # **210-3247.2**, dated 06/16/2006, signed and sealed on 08/03/2006 by Gerard J. Ferrara, P.E.
- C. CALCULATIONS “Submitted under NOA #15-0930.09”**
1. Wind load review prepared by Ruskin Company, dated 09/12/2015 signed and sealed by Chelsea GQ Welch, P.E.
“Submitted under NOA # 12-0203.15”
 2. Structural and anchoring calculations for PHB6375DXD Hinged Roof Penthouse, 23 pages, complying with the 2007 FBC, prepared by Daniel J. Rau P.E., signed and sealed on 01/24/2012 by William J. Mossie, P.E.
- D. QUALITY ASSURANCE**
1. Miami-Dade Department of Regulatory and Economic Resources (RER)
- E. MATERIAL CERTIFICATIONS**
1. None.
- F. STATEMENTS**
1. Testing contract letter issued by National Certified Testing Laboratories dated 02/15/2017.
“Submitted under NOA #15-0930.09”
 2. Statement letter of code conformance to the 5th edition (2014) FBC issued by Ruskin Company, dated 09/22/2015, signed and sealed by Chelsea GQ Welch, P.E.
“Submitted under NOA # 12-0203.15”
 3. Statement letter of code conformance to 2010 FBC issued by Ruskin Company, dated 04/11/2012, signed and sealed by William J. Mossie, P.E.
 4. Statement letter of no financial interest issued by Ruskin Company, dated 01/24/2012, signed and sealed by William J. Mossie, P.E.



Carlos M. Utrera, P.E.
Product Control Examiner
NOA No. 17-0313.04
Expiration Date: April 26, 2018
Approval Date: April 20, 2017



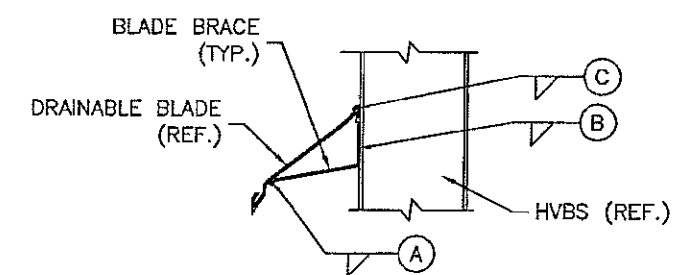
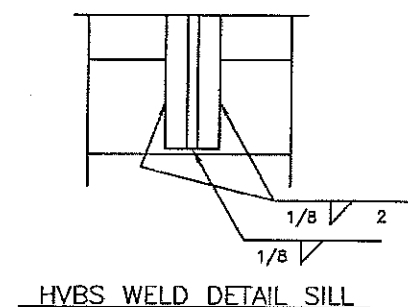
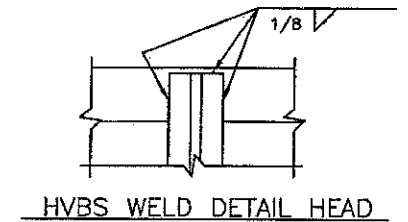
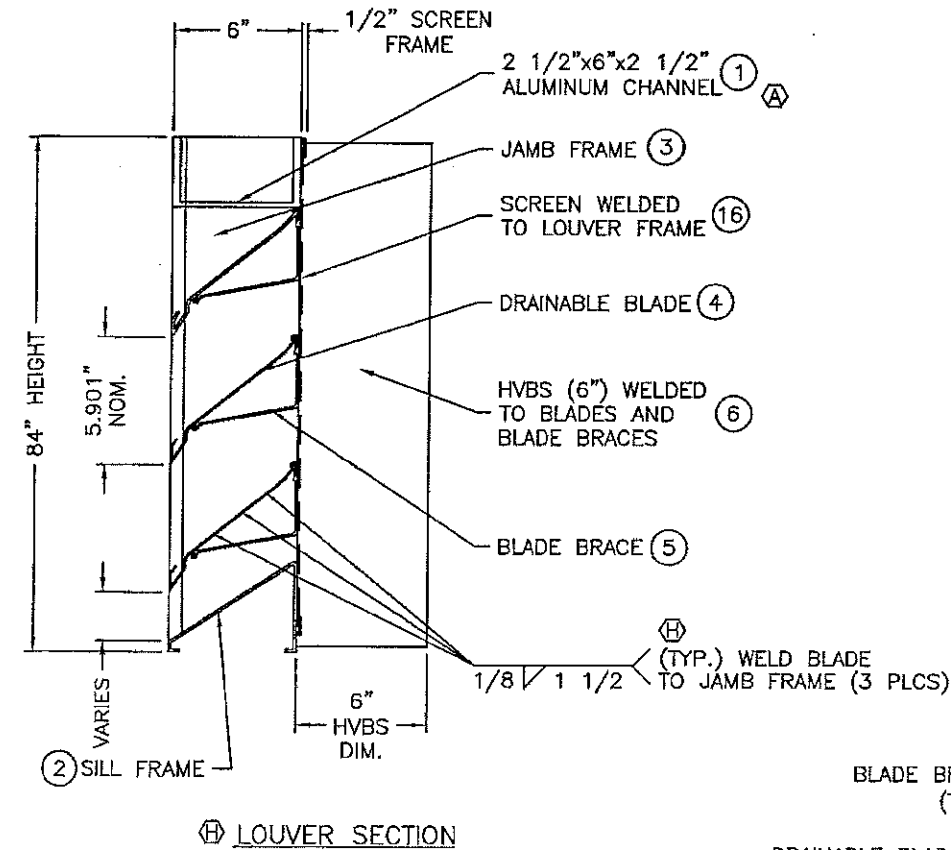
PENTHOUSE ISOMETRIC

FRAME
6063-T6 extruded aluminum with .125" nominal wall thickness.
BLADES
6063-T6 extruded aluminum with .080" nominal wall thickness. Blades are positioned at 37.5° angle.
SCREEN
5/8" x .040" expanded flat-tened aluminum bird screen.
ROOF
.080 thick formed aluminum panels
SILL
.125" thick formed aluminum
FINISH
Mill

FOR OFFICE USE ONLY

PRODUCT REVISED
 as complying with the Florida Building Code
 Acceptance No. 15-0930.09
 Expiration Date 04/26/2017
 By *[Signature]*
 Miami-Dade Product Control

NOTE:
 1. REF SHEET 6 FOR DESCRIPTION OF LINE ITEMS



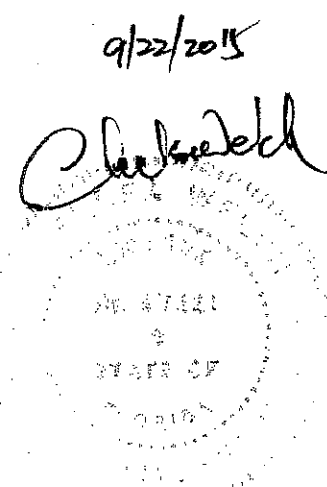
BLADE BRACE WELD DETAIL

- (A) WELD FRONT HOOK OF BLADE BRACE TO BLADE HOOK. WELD ONE SIDE AT CORNERS, BOTH SIDES AT INTERMEDIATE HVBS.
- (B) WELD BLADE BRACE TO CORNER ANGLE AND HVBS, FULL HEIGHT OF BLADE BRACE.
- (C) WELD BLADE BRACE TO TOP OF BLADE. WELD ONE SIDE AT CORNERS, BOTH SIDES AT INTERMEDIATE HVBS.

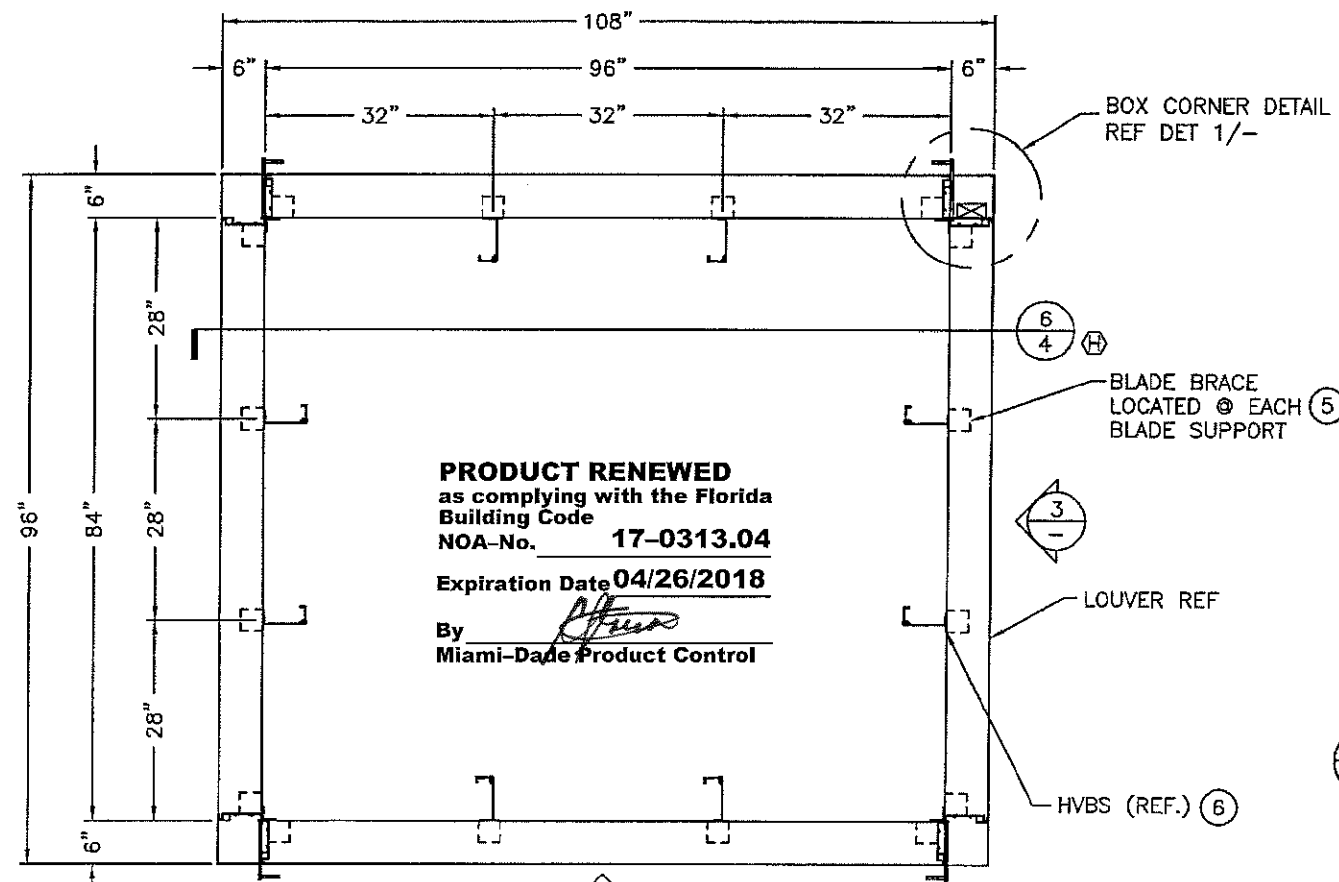
NOTES:

- 1) THE PHB637HDXD HAS BEEN TESTED IN ACCORDANCE WITH FLORIDA PROTOCOLS TAS-201, 202 & 203 FOR LARGE MISSILE IMPACT, UNIFORM PRESSURE AND CYCLIC WIND PRESSURE.
- 2) THIS PENTHOUSE SYSTEM IS APPROVED FOR APPLICATIONS WITH DESIGN PRESSURES OF +/- 110 PSF OR LESS.
- 3) IT SHALL BE THE RESPONSIBILITY OF THE PERMIT HOLDER/BUILDING DESIGN ENGINEER OF RECORD TO VERIFY THE STRUCTURAL INTEGRITY OF THE ROOF CURB/STRUCTURE TO SUPPORT THE LOADS IMPOSED BY THIS PENTHOUSE SYSTEM.
- 4) 'A'+12" AND 'B'+12" ARE THE OUTSIDE DIMENSIONS OF THE PENTHOUSE SIDES. 'A' AND 'B' ARE THE INSIDE DIMENSIONS OF THE CURB.
- 5) THE MAXIMUM OUTSIDE DIMENSIONS OF THE PENTHOUSE ARE 96"x108"x84" TALL AS INDICATED ON THESE DRAWINGS. THE MINIMUM OUTSIDE DIMENSIONS OF THE PENTHOUSE ARE 24"x24"x12" TALL.
- 6) SEALING REQUIREMENTS AROUND THE PENTHOUSE SHALL COMPLY WITH THE PROVISIONS OF CHAPTER 15 OF THE FLORIDA BUILDING CODE.
- 7) ABBREVIATIONS: NIRC = NOT IN RUSKIN'S CONTRACT
- 8) ALL FASTENERS SHALL BE CORROSION RESISTANT.

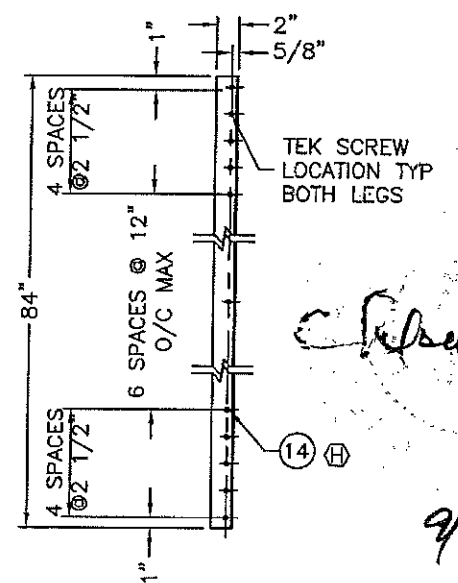
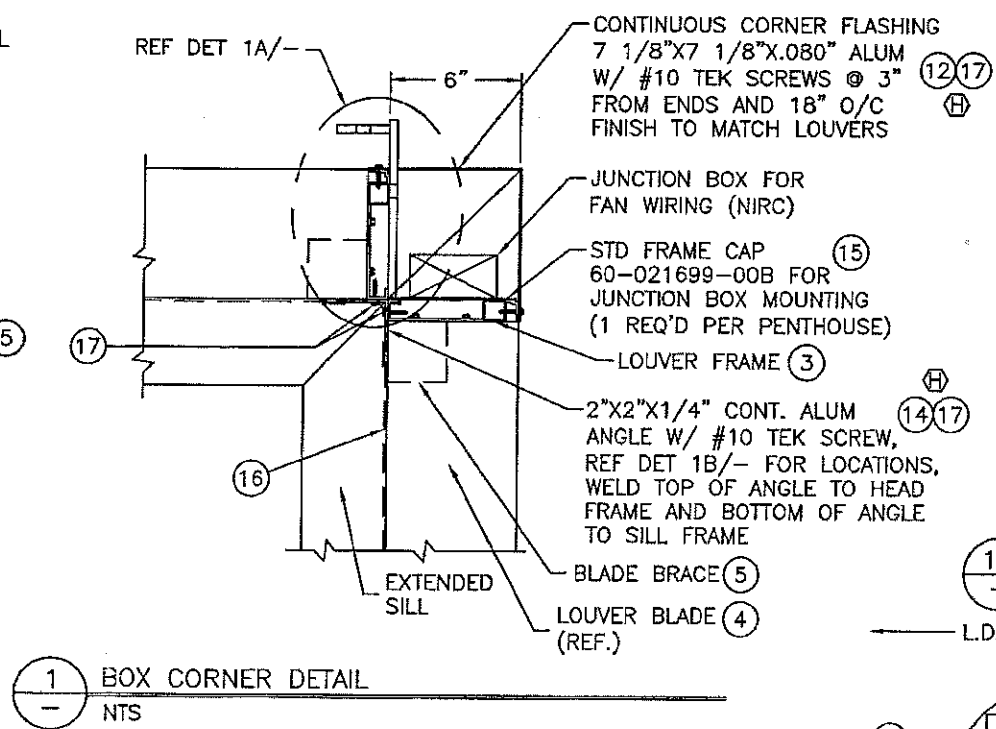
PRODUCT RENEWED
 as complying with the Florida Building Code
 NOA-No. 17-0313.04
 Expiration Date 04/26/2018
 By *[Signature]*
 Miami-Dade Product Control



ENGINEER OF RECORD	CHelsea G. WELCH	DLB	KJM	NLT	CGW	9/22/15
ENGINEERING DISCIPLINE	CIVIL/STRUCTURAL	RAT				09/18/07
REGISTRATION NUMBER	FL #67221	DAR	VMA	VMA		5-18-06
CHANGE LETTER		RFM	DJR	VMA		5-3-06
REVISION DESCRIPTION		WRT				2/21/06
		WRT	DJR	DJR		2/8/06
		DJR	DJR			2-3-2006
CHANGE LETTER						
REVISION DESCRIPTION						
DRW. BY:	WRT	CHK'D. BY:	DJR	APPY'D. BY:		DATE:
DATE:	7/11/05	DATE:	1/9/06	DATE:	1/9/06	DATE:
RUSKIN Mfg Grandview, MD		PLOT SCALE		NONE		DRG. CERTIFIED BY:
SHEET 1 OF 13		TITLE		PHB637HDXD PENTHOUSE SPECS, NOTES AND DETAILS		DRG. NO.
						60-021966-00D



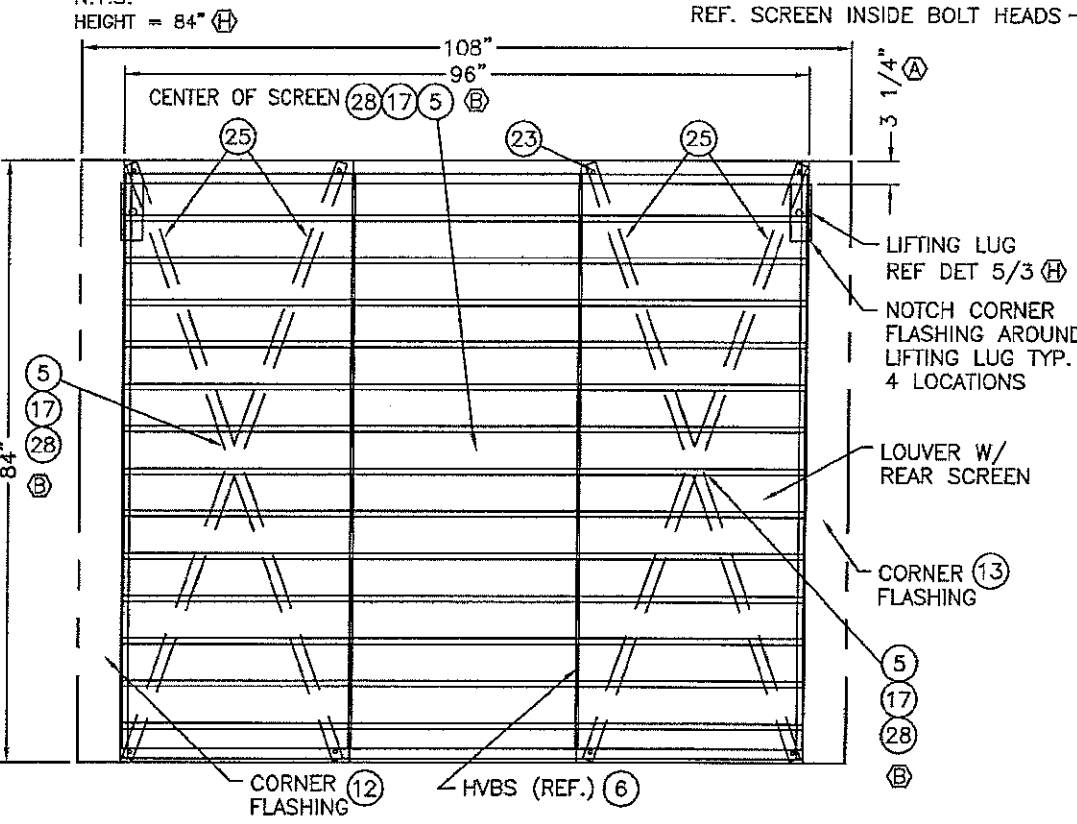
PRODUCT RENEWED
 as complying with the Florida
 Building Code
 NOA-No. **17-0313.04**
 Expiration Date **04/26/2018**
 By *[Signature]*
 Miami-Dade Product Control



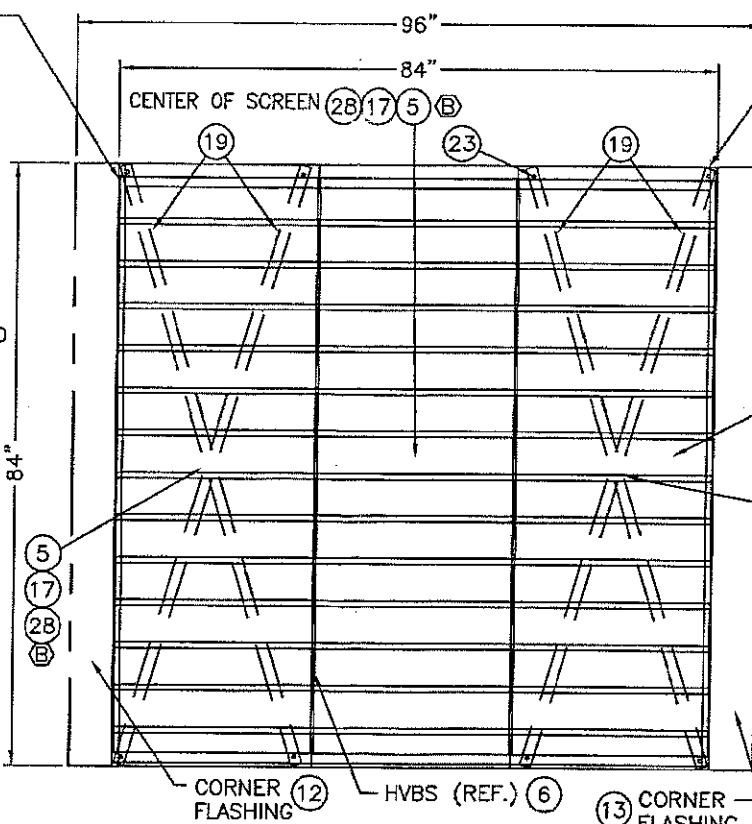
[Handwritten Signature]
 9/22/2015

ASSEMBLY "A"

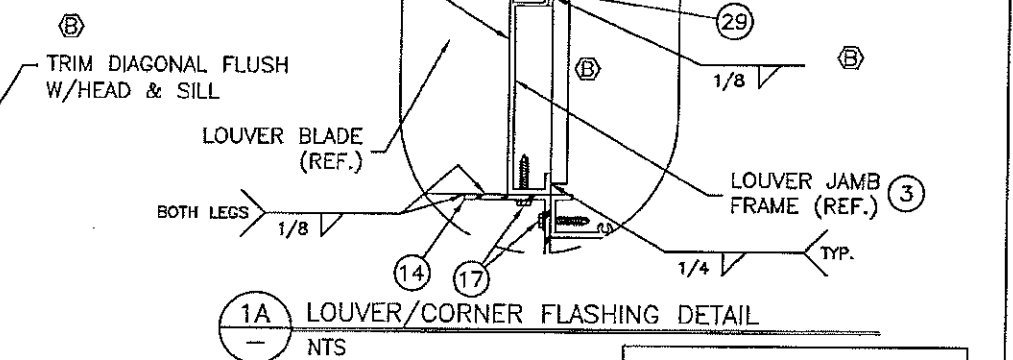
N.T.S.
 HEIGHT = 84" (H)



2 ELEVATION
 N.T.S.



3 ELEVATION
 N.T.S.



1A LOUVER/CORNER FLASHING DETAIL
 NTS

FOR OFFICE USE ONLY

PRODUCT REVISED
 as complying with the Florida
 Building Code
 Acceptance No. **15-0930.09**
 Expiration Date **04/26/2017**
 By *[Signature]*
 Miami Dade Product Control

ENGINEER OF RECORD	CHELSEA G. WELCH	
ENGINEERING DISCIPLINE	CIVIL/STRUCTURAL	
REGISTRATION NUMBER	FL #67221	
DRAWN BY	DATE	APPROVED BY
WRT	7/11/05	DJR
CHK BY	DATE	APPROVED BY
DJR	1/9/06	DJR

CHANGE LETTER	REVISION DESCRIPTION	DWN. BY	CHK'D. BY	APP'D. BY	DATE
(H)	GENERAL REVISIONS	DLB	KJM	NLT	CGW 9/22/15
(C)	MODEL NAME CHANGE	DAR	VMA	VMA	5-18-06
(B)	ADD SCREEN ANGLES, FILLER PLATE IN LOUVER/CORNER	RFM	DJR	VMA	5-3-08
(A)	CHANGED HEAD DIMENSION, ADDED WELD, ADDED FL APPROVAL BOX	DJR	DJR	VMA	2-3-2008

RUSKIN Mfg Grandview, MI

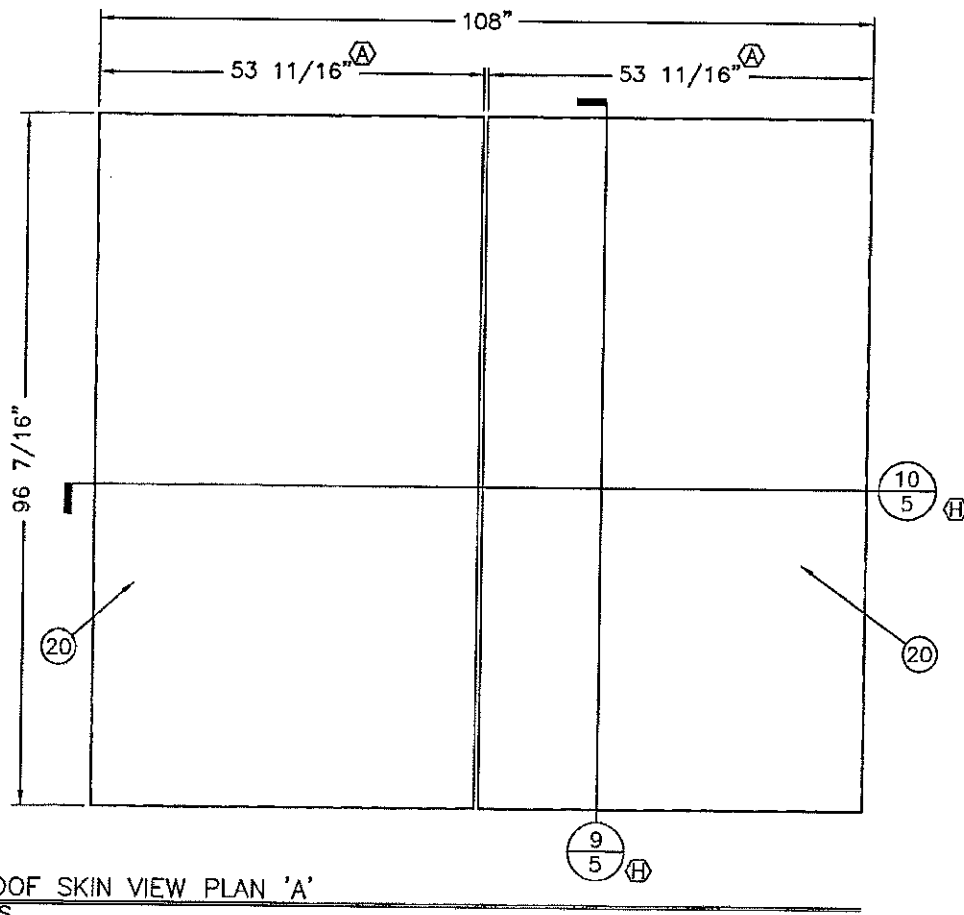
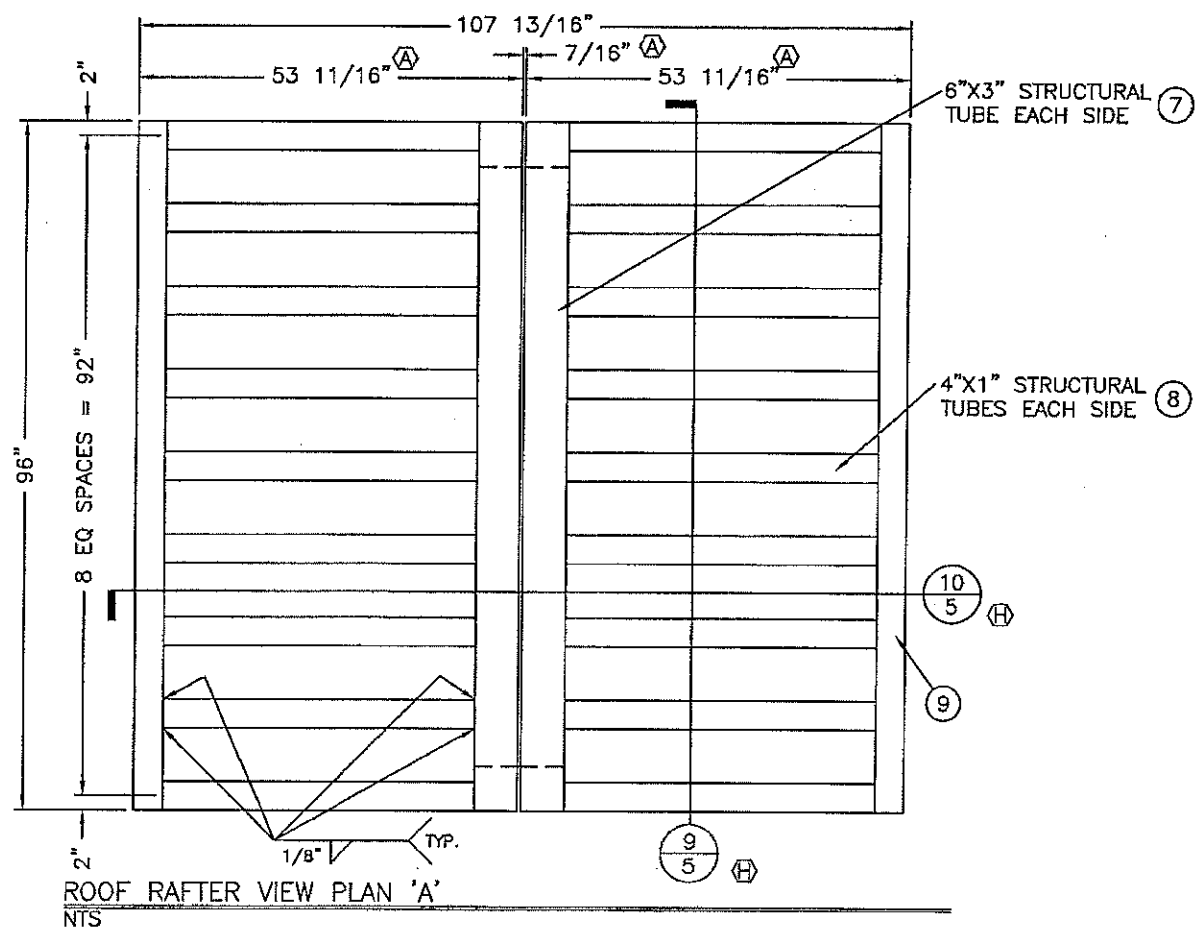
PLOT SCALE: NONE

DWG. CERTIFIED BY: NONE

TITLE: PHB637HDXD PENTHOUSE DETAILS

DWG. NO.: 60-021966-00D

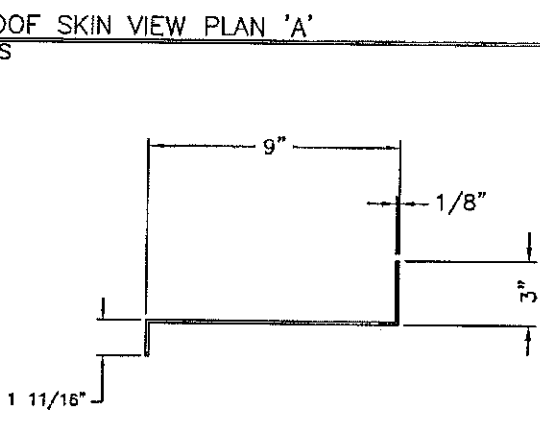
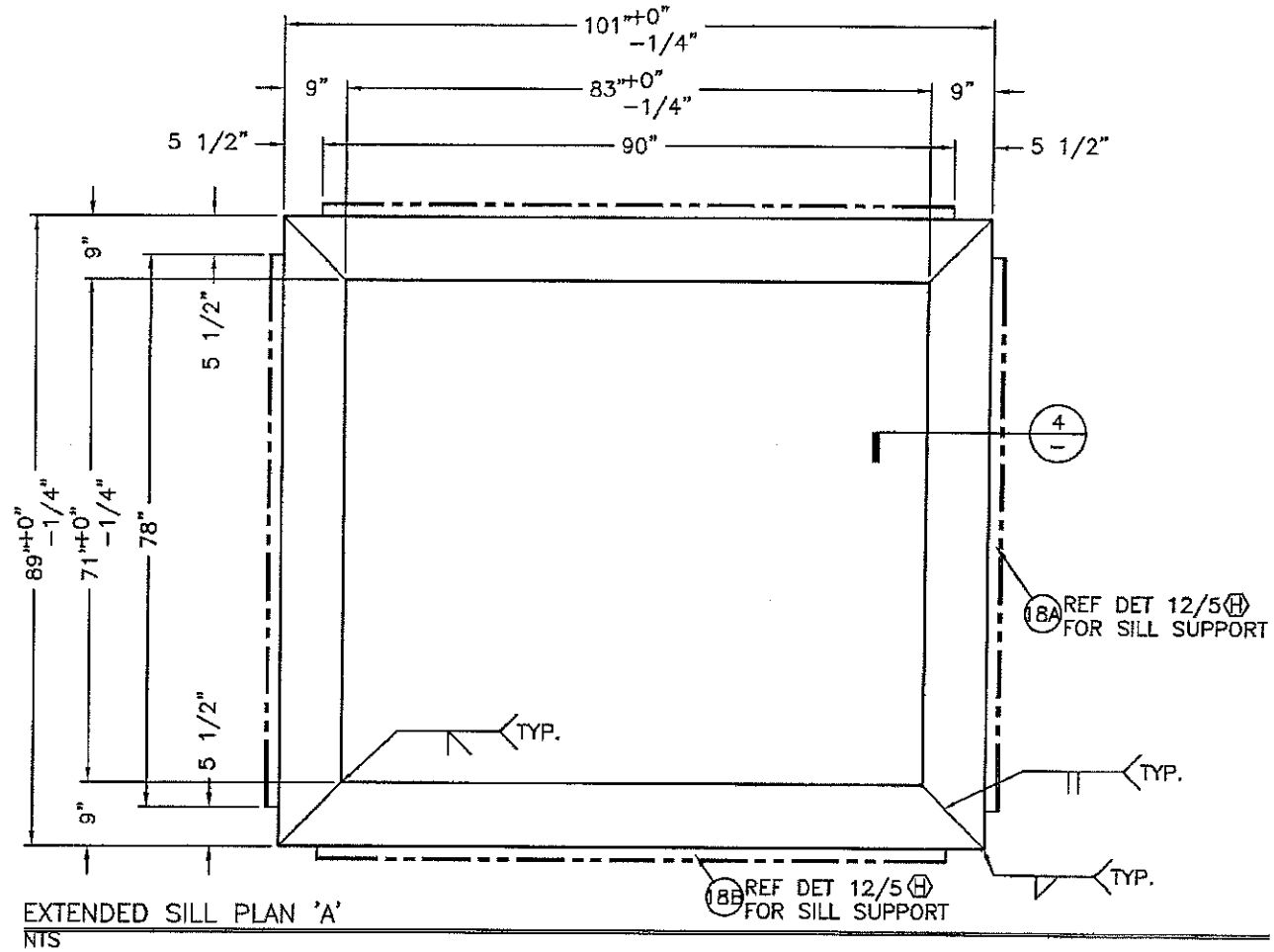
NOTE:
 (H) 1. REF SHEET 6 FOR DESCRIPTION OF LINE ITEMS



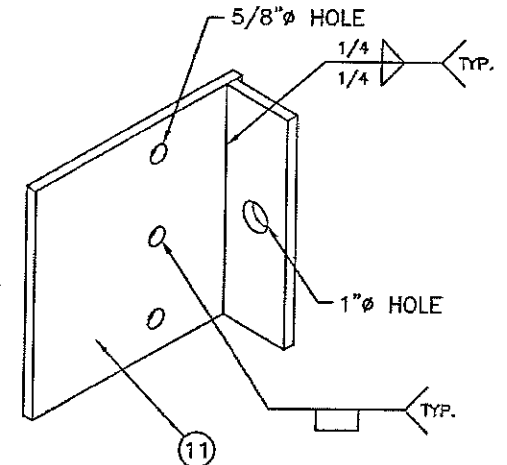
FOR OFFICE USE ONLY

PRODUCT REVISED
 as complying with the Florida
 Building Code
 Acceptance No 15-0930-09
 Expiration Date 04/26/2017
 By *[Signature]*
 Miami-Dade Product Control

Chelsea G. Welch
 9/22/15



PRODUCT RENEWED
 as complying with the Florida
 Building Code
 NOA-No. 17-0313.04
 Expiration Date 04/26/2018
 By *[Signature]*
 Miami-Dade Product Control



4 EXTENDED SILL DETAIL
 NTS
 MAT'L: .125" THICK FORMED ALUMINUM
 FINISH TO MATCH LOUVER (SHIP LOOSE)

5 SPECIAL LIFTING LUG
 NTS
 MAT'L: .375" THICK ALUMINUM
 FINISH TO MATCH LOUVER

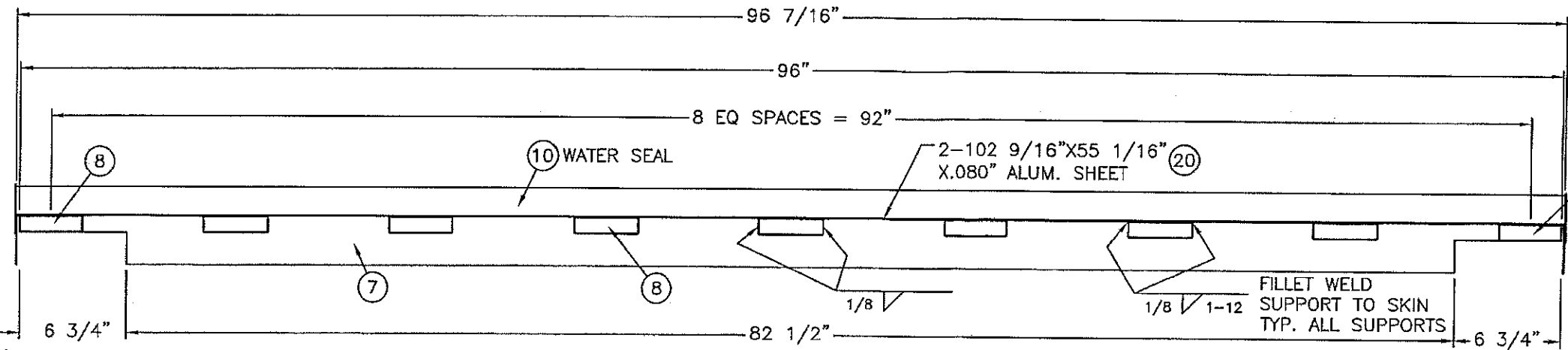
NOTE:
 1. REF SHEET 6 FOR DESCRIPTION OF LINE ITEMS

CHANGE LETTER	REVISION DESCRIPTION	DWN. BY:	CHK'D. BY:	APP'D. BY:	DATE	DATE	DATE	DATE
	GENERAL REVISIONS	DLB	KJM	NLT	CGW	9/22/15		
	MODEL NAME CHANGE	DAR	VMA	VMA		5-18-06		
	SPECIAL LIFTING LUG CHANGE # TO 60-021966-09B	RFM	DJR	VMA		5-3-06		
	MODIFIED EXTENDED SILL CHANGED ROOF RAFTER/SKIN	DJR	DJR	VMA		2-3-2006		

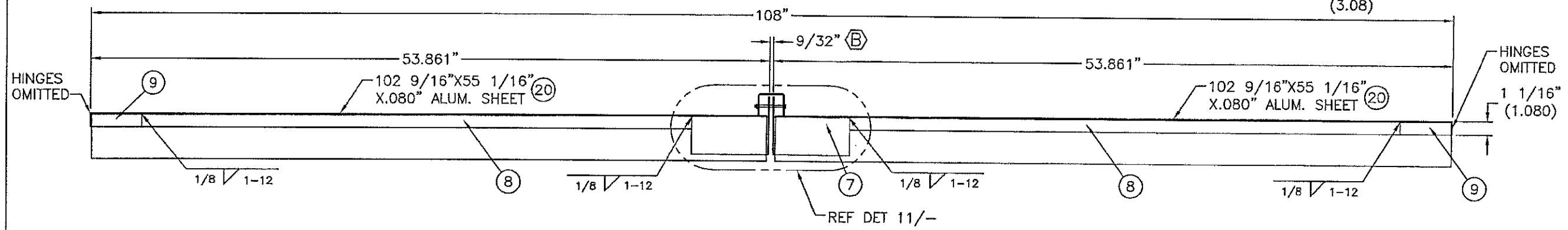
ENGINEER OF RECORD CHELSEA G. WELCH	DWN. BY: WRT DATE: 7/11/05	CHK. BY: DJR DATE: 1/9/06	APP'D. BY: DJR DATE: 1/9/06	APP'D. BY: [Blank] DATE: [Blank]	RUSKIN Mfg Grandview, MD	PLOT SCALE NONE	DWG. CERTIFIED BY: [Blank] DATE: [Blank]
ENGINEERING DISCIPLINE CIVIL/STRUCTURAL	SHEET 3 OF 13			TITLE PHB637HDXD PENTHOUSE DETAILS	DWG. NO. 60-021966-00D		
REGISTRATION NUMBER FL #67221							

FOR OFFICE USE ONLY

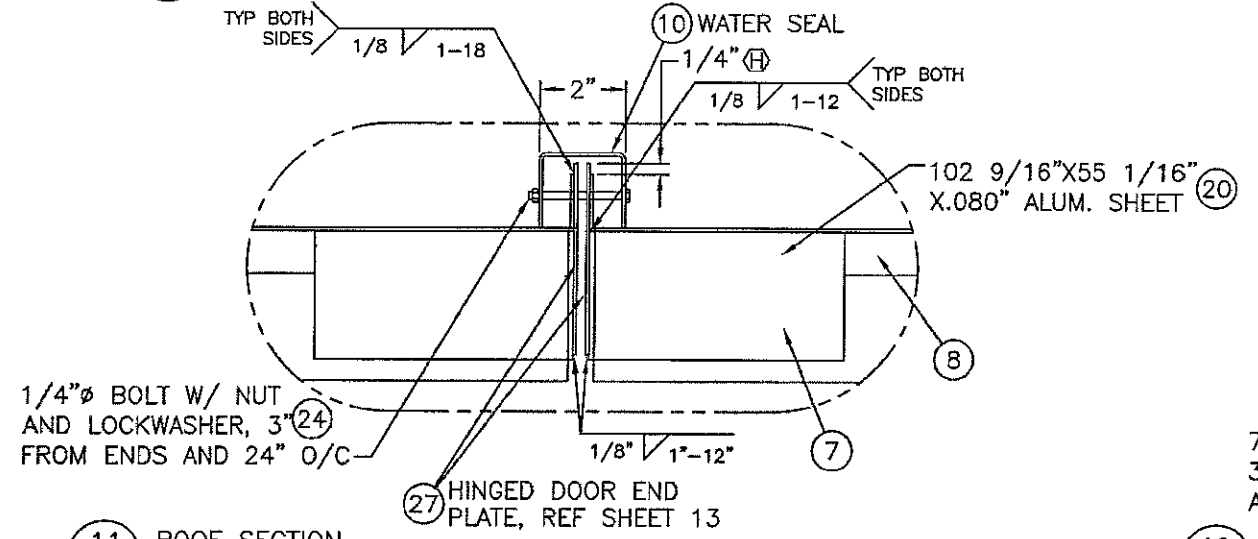
PRODUCT REVISED
 as complying with the Florida
 Building Code
 Acceptance No. 15-0930.09
 Expiration Date 04/26/2017
 By *[Signature]*
 Miami-Dade Product Control



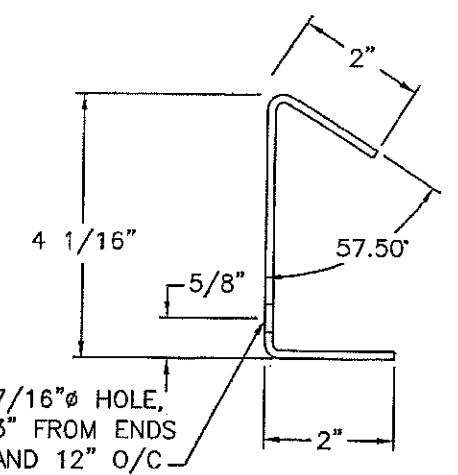
9 ROOF SECTION ASSEMBLY
 3 NTS



10 ROOF SECTION ASSEMBLY
 3 NTS

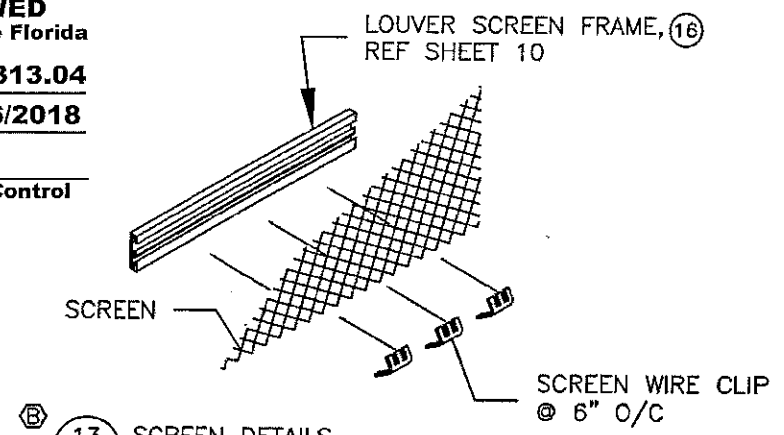


11 ROOF SECTION
 3 NTS



12 SILL SUPPORT
 3 NTS
 MATL: 1/8" FORMED ALUM.
 LENGTH: 2 @ 78" AND 2 @ 90"

PRODUCT RENEWED
 as complying with the Florida
 Building Code
 NOA-No. 17-0313.04
 Expiration Date 04/26/2018
 By *[Signature]*
 Miami-Dade Product Control



13 SCREEN DETAILS
 4 NTS

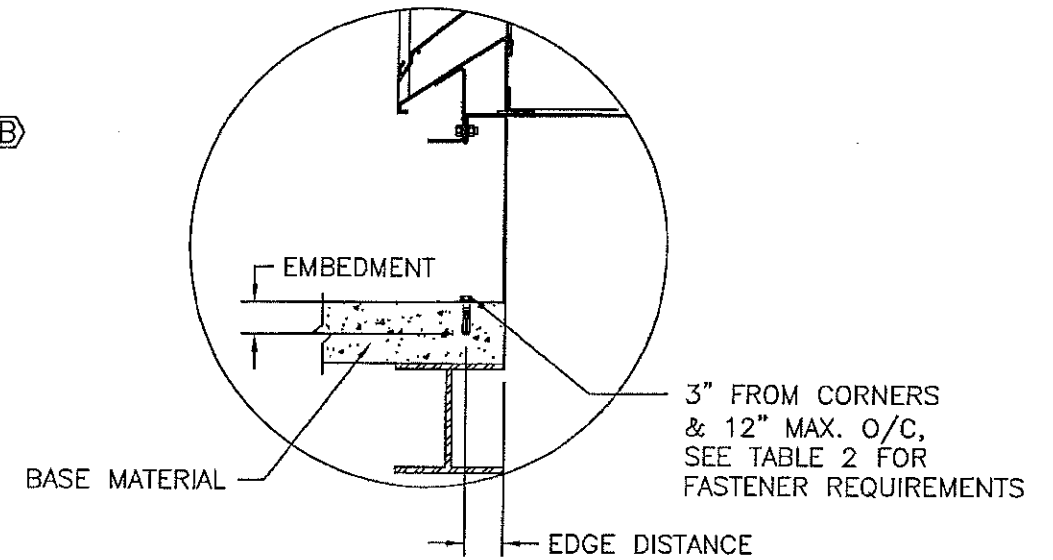
Chelsea G. Welch
 9/22/15

NOTE:
 1. REF SHEET 6 FOR DESCRIPTION OF LINE ITEMS

ENGINEER OF RECORD CHELSEA G. WELCH	DWN. BY: WRT DATE: 7/11/05	CHK. BY: DJR DATE: 1/9/06	APPR'D. BY: DJR DATE: 1/9/06	APPR'D. BY: [Blank] DATE: [Blank]	RUSKIN Mfg Grandview, MO	PLOT SCALE NONE	DWG. CERTIFIED DATE: [Blank]
ENGINEERING DISCIPLINE CIVIL/STRUCTURAL	SHEET 5 OF 13			TITLE PHB637HDXD PENTHOUSE DETAILS	DWG. NO. 60-021966-00D		
REGISTRATION NUMBER FL #67221							

CHANGE LETTER	REVISION DESCRIPTION	DWN. BY:	CHK'D. BY:	APPR'D. BY:	APPR'D. BY:	DATE
(H)	GENERAL REVISIONS	DLB	KJM	NLT	CGW	9/22/15
(E)	MODEL NAME CHANGE	DAR	VMA	VMA		5-18-06
(A)	ADDED FLORIDA APPROVAL BOX	DJR	DJR	VMA		2-4-2006

(H) TABLE 1				
LINE ITEM	SHEET NUMBER	MATERIAL	DESCRIPTION	RUSKIN NUMBER
1	7	6063-T6 ALUM	HEAD CHANNEL	-
2	7	(H) 6063-T6 ALUM	LOUVER SILL FRAME	70-021130-00B
3	7	(H) 6063-T6 ALUM	LOUVER JAMB FRAME	70-020691-00B
4	7	(H) 6063-T6 ALUM	LOUVER BLADE	70-020560-00B
5	7	(H) 6063-T6 ALUM	BLADE BRACE	70-020568-00B
6	8	6063-T6 ALUM	6" HVBS	70-021465-00B
7	9	6063-T5 1/8" ALUM(H)	6"X3" RECT. TUBE ROOF SUPPORT	-
8	9	6063-T6 1/8" ALUM	4"X1" RECT. TUBE SUPPORT (SHORT)	-
9	9	6063-T6 1/8" ALUM	4"X1" RECT. TUBE SUPPORT (LONG)	-
10	9	5005-H34 1/8" ALUM(H)	WATER SEAL	-
11	10	3003-H14 3/8" ALUM	SPECIAL LIFTING LUG	-
12	11	5005-H34 .080" ALUM(H)	LEFT HAND CORNER FLASHING	-
13	11	5005-H34 .080" ALUM(H)	RIGHT HAND CORNER FLASHING	-
14	-	6063-T6 ALUM	2"X2"X1/4"X84" ANGLE	-
15	10	(H) 6063-T6 ALUM	END CAP 12" LONG	70-021389-00B
16	10	6063-T5 ALUM	SCREEN FRAME	70-021197-00A
17	-	PLATED STEEL	#10-16X1" TEK SCREW	-
18A	10	(H) 5005-H34 ALUM	78" LONG SILL SUPPORT	-
18B	10	(H) 5005-H34 ALUM	90" LONG SILL SUPPORT	-
19	12	GALV. STL.	2" WIDEX3/16"X87" DIAGONAL STRAP	-
20	12	3003-H14 .080" ALUM	PENTHOUSE ROOF SKIN	-
(H) 21	12	5052 ALUM (FXH)	4X96 HINGE-1/8" THK., 3/8" PIN, 2" KNUCKLE	85-022110-00B (H)
22	12	3003-H14 ALUM	1 1/2"X1 1/2"X1/8"X2" CLIP ANGLE	85-020366-00B
(G) 23	-	PLATED STEEL	5/8"X1 1/2" HHB W/ WASHER, LOCKWASHER & HEX NUT	-
(G) 24	-	PLATED STEEL	1/4"X1" HHB W/ LOCKWASHER & HEX NUT	-
(G) 25	12	GALV. STL.	2" WIDEX3/16"X88" DIAGONAL STRAP	-
(G) 26	-	PLATED STEEL	3/8" X 1 1/2" HHB W/ WASHER, LOCKWASHER & HEX NUT	-
(B) 26A	-	PLATED STEEL	3/8" X 1 1/2" PLATED STEEL SELF TAPPING SCREW	-
(B) 27	13	(H) 5005-H34 ALUM	4 7/16"X95 7/8"X.080" HINGED DOOR END PLATE	-
(B) 28	-	PLATED STEEL	#10 WASHER	-
(B) 29	-	(H) 5005-H34 ALUM	FILLER BAR-1/8" THK., 9" LONG	-



(F) CURB ANCHOR DETAILS
(G)

FOR OFFICE USE ONLY

PRODUCT REVISED
as complying with the Florida Building Code
Acceptance No. 15-0730.09
Expiration Date 04/26/2017

By: *[Signature]*
Miami-Dade Product Control

PRODUCT RENEWED
as complying with the Florida Building Code
NOA-No. 17-0313.04
Expiration Date 04/26/2018

By: *[Signature]*
Miami-Dade Product Control

(H) (B) (G) (G) (G) (B) (B) (B)

TABLE 2 (EXH)

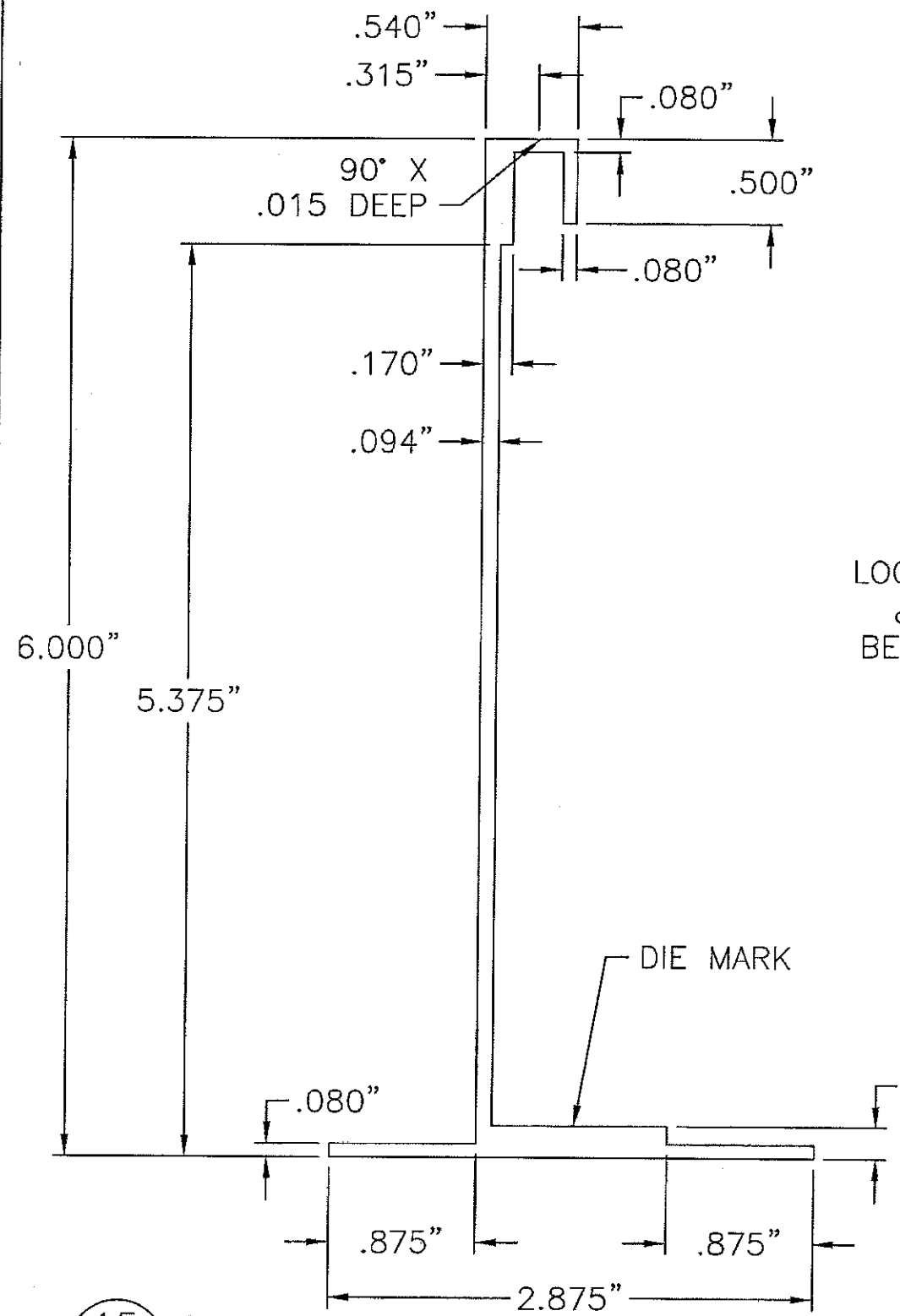
BASE MATERIAL	FASTENER TYPE	SPECIAL REQUIREMENT
WOOD FRAME	3/8" DIA. LAG SCREW	3" MIN. EMBEDMENT, 1 1/2" MIN. EDGE DISTANCE, S.G. = 0.42
STEEL DECKING	3/8" DIA. SELF-TAPPING SCREW	9/16" MIN. EDGE DIST., 10 GAUGE MIN. THICKNESS
CONCRETE	3/8" DIA. HILTI KWIK BOLT III EXP. ANCHOR OR EQUAL	2 1/2" MIN. EMBEDMENT AND EDGE DISTANCE, 2000 PSI MIN.

(H)	GENERAL REVISIONS	DLB	KJM	NLT	CGW	9/22/15
(F)	REVISED HINGE #, PROVIDED ANCHOR DETAILS	DJR	VMA	VMA		8-28-06
(E)	MODEL NAME CHANGE	DAR	VMA	VMA		5-18-06
(B)	MODIFIED DWG NUMBER COLUMN DATA	RFM	DJR	VMA		5-4-06
(A)	MODIFIED DWG NUMBER COLUMN DATA	DJR	DJR	VMA		2-6-2006
CHANGE LETTER	REVISION DESCRIPTION	DWN. BY:	CHK'D. BY:	APPV'D. BY:	APPV'D. BY:	DATE

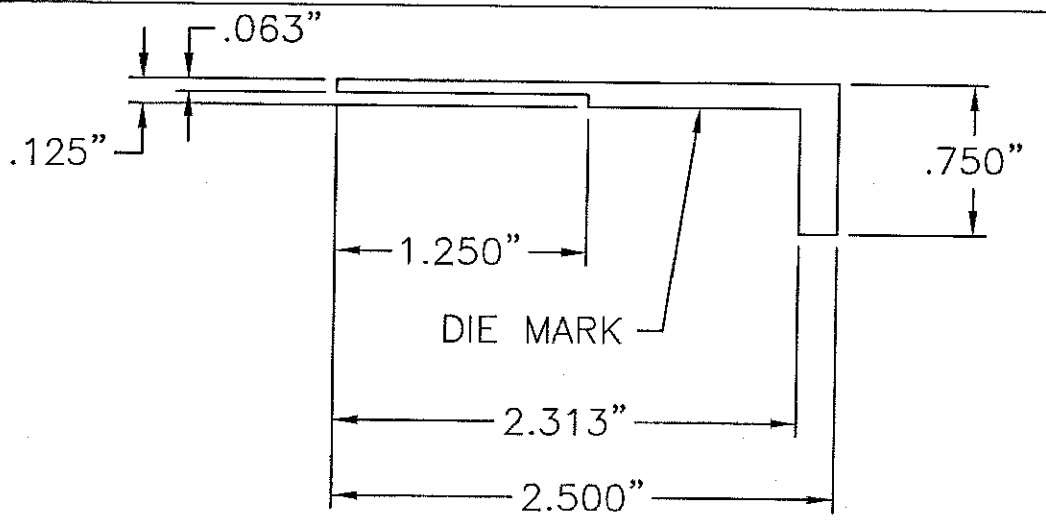
E. G. Welch
9/22/2015

ENGINEER OF RECORD CHELSEA G. WELCH	DWN. BY: WRT DATE: 12/16/05	CHK. BY: DJR DATE: 1/9/06	APPV'D. BY: DJR DATE: 1/9/06	APPV'D. BY:
ENGINEERING DISCIPLINE CIVIL/STRUCTURAL	SHEET 6 OF 13 (H)			
REGISTRATION NUMBER FL #67221				

RUSKIN MFG (H)	GRANDVIEW, MO	PLOT SCALE NONE	DWG. CERTIFIED BY: _____ DATE: _____
TITLE PHB637HDXD PENTHOUSE ITEM LIST AND APPROVED ATTACHMENTS TABLE (H)	DWG. NO. 60-021966-00B (H)		



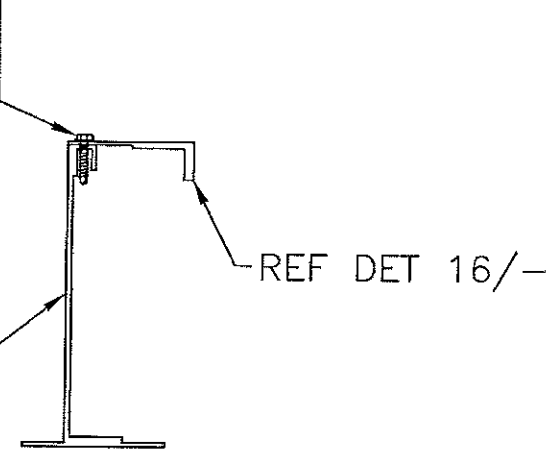
PRODUCT RENEWED
 as complying with the Florida
 Building Code
 NOA-No. 17-0313.04
 Expiration Date 04/26/2018
 By [Signature]
 Miami-Dade Product Control



Chelsea G. Welch
 9/22/15

16 ADD ON FLANGE
 — NTS

#10 TEK SCREW,
 LOCATE 3" FROM ENDS
 & 12" MAX SPACING
 BETWEEN END SCREWS



ITEM 6-6" HVBS

FOR OFFICE USE ONLY

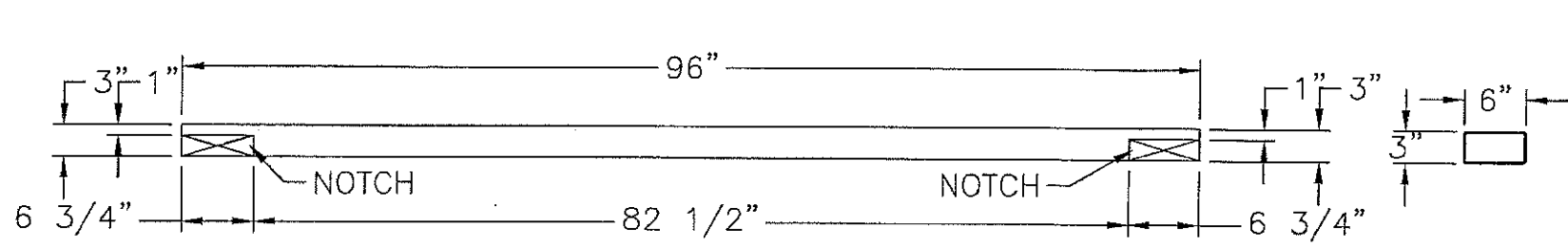
PRODUCT REVISED
 as complying with the Florida
 Building Code
 Acceptance No 15-0930.09
 Expiration Date 04/26/2017
 By [Signature]
 Miami-Dade Product Control

15 HVBS
 — NTS

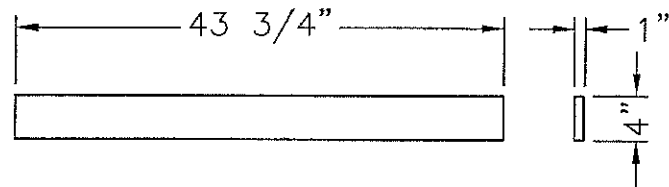
PLANT REF: 70-021465-00B

NOTES:
 1. REF SHEET 6 FOR MATERIAL

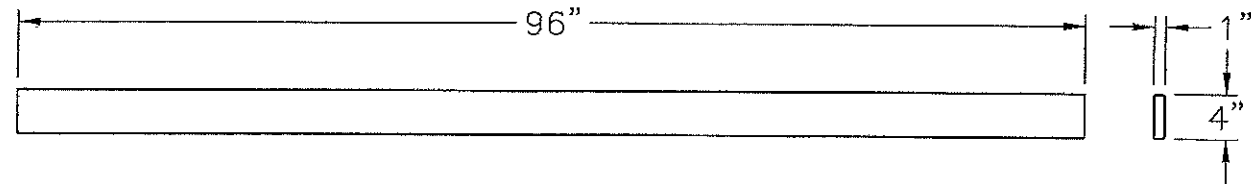
ENGINEER OF RECORD				GENERAL REVISIONS		DLB	KJM	NLT	CGW	9/22/15
CHELSEA G. WELCH				MODEL NAME CHANGE		DAR	VMA	VMA		5-18-6
ENGINEERING DISCIPLINE				CHANGED DWG CONTENT		DJR	DJR	VMA		2-6-2006
CIVIL/STRUCTURAL				CHANGE LETTER	REVISION DESCRIPTION	DWN. BY:	CHK'D. BY:	APPV'D. BY:	APPV'D. BY:	DATE
REGISTRATION NUMBER				RUSKIN MFG GRANDVIEW, MO		PLOT SCALE		DWG. CERTIFIED		
FL #67221						NONE		BY: _____		
DWN. BY: WRT	CHK. BY: DJR	APPV'D. BY: DJR	APPV'D. BY:	TITLE		DWG. NO.				
DATE: 12/16/05	DATE: 1/9/06	DATE: 1/9/06	DATE:	PHB637HDXD PENTHOUSE		60-021966-00B				
MATERIAL: 6063-T6 EXTRUDED ALUMINUM				PART DETAILS						
SHEET 8 OF 13										



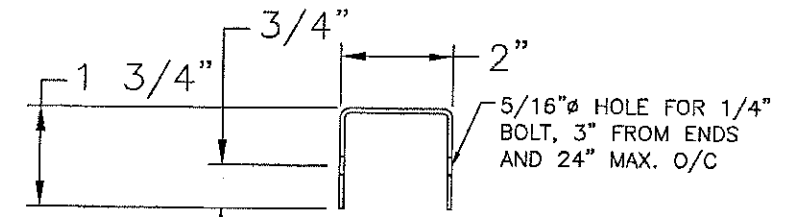
ITEM 7 - 6"X3" TUBE SUPPORT
NTS



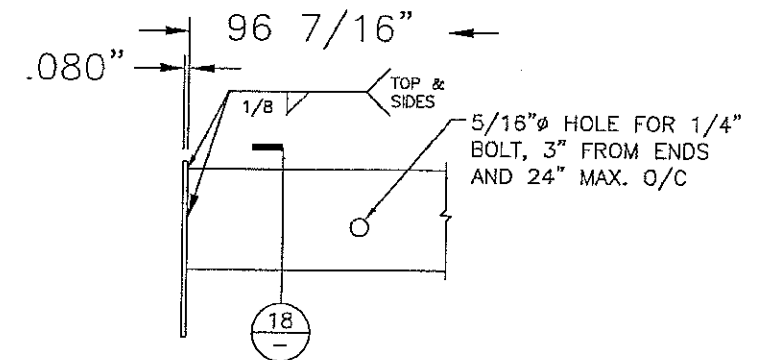
ITEM 8 - 4"X1" SUPPORT (SHORT)
NTS



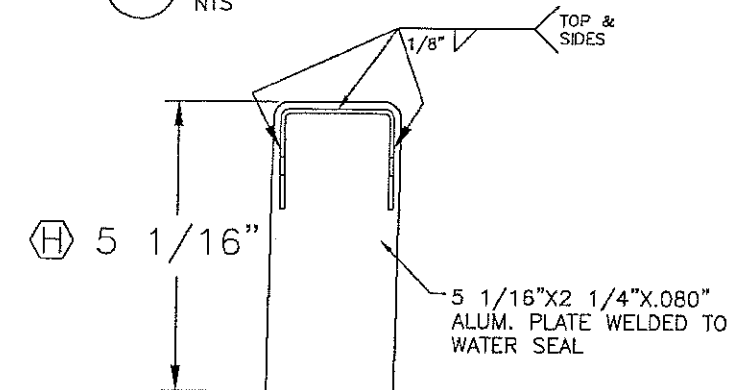
ITEM 9 - 4"X1" TUBE SUPPORT (LONG)
NTS



ITEM 10 - WATER SEAL
NTS
LENGTH: 96 7/16"



(H) 17 WATER SEAL AT END
NTS



(H) 18 WATER SEAL AT END DETAIL
NTS

PRODUCT RENEWED
as complying with the Florida
Building Code
NOA-No. **17-0313.04**
Expiration Date **04/26/2018**
By *[Signature]*
Miami-Dade Product Control

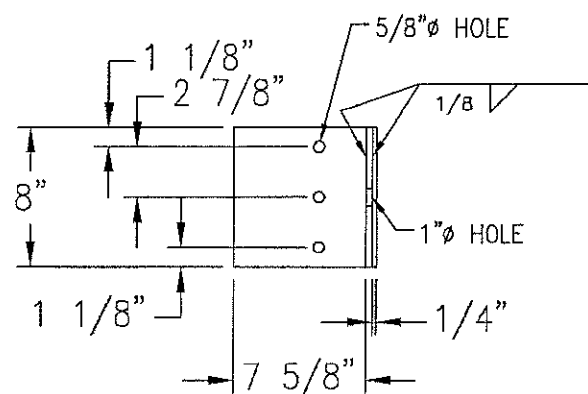
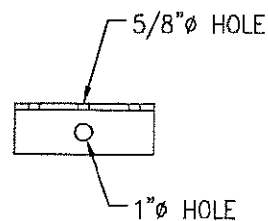
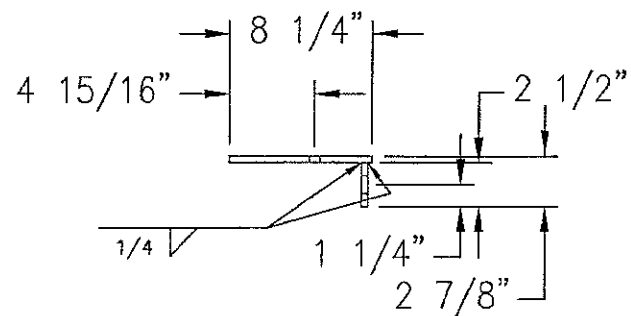
NOTES:
1. REF SHEET 6 FOR MATERIAL (H)

FOR OFFICER USE ONLY

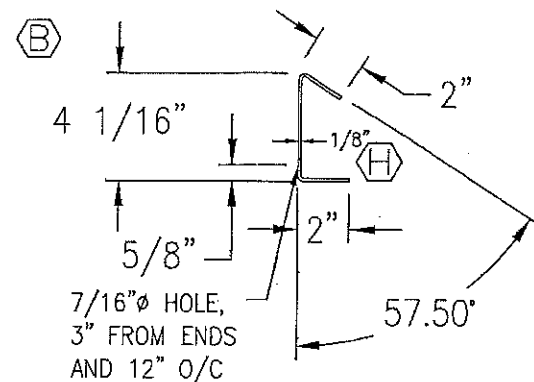
PRODUCT RENEWED
as complying with the Florida
Building Code
Acceptance No. **15-0930.09**
Expiration Date **04/26/2017**
By *[Signature]*
Miami-Dade Product Control

Chelsea G. Welch
9/22/2015

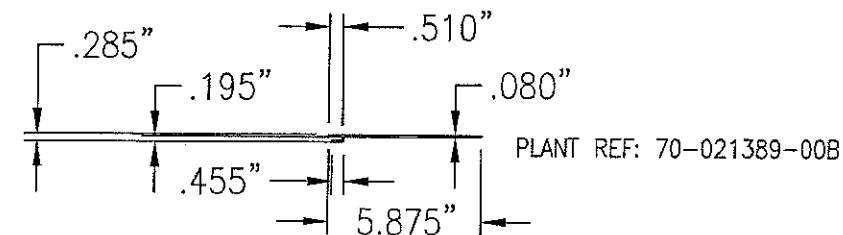
ENGINEER OF RECORD (H) CHELSEA G. WELCH		(H)	GENERAL REVISIONS	DLB	KJM	NLT	CGW	9/22/15
ENGINEERING DISCIPLINE (H) CIVIL/STRUCTURAL		(E)	MODEL NAME CHANGE	DAR	VMA	VMA		5-18-6
REGISTRATION NUMBER (H) FL #67221		(A)	CHANGED DWG CONTENT	DJR	DJR	VMA		2-6-2006
DWN. BY: WRT	CHK. BY: DJR	APPV'D. BY: DJR	APPV'D. BY:	CHANGE LETTER	REVISION DESCRIPTION	DWN. BY:	CHK'D. BY:	APPV'D. BY:
DATE: 12/16/05	DATE: 1/9/06	DATE: 1/9/06	DATE:	RUSKIN MFG (H)	GRANDVIEW, MO	PLOT SCALE	DWG. CERTIFIED	
SHEET 9 OF 13 (H)				TITLE (E) PHB637HDXD PENTHOUSE PART DETAILS		NONE	BY: _____ DATE: _____	
						DWG. NO. (H) 60-021966-00B		



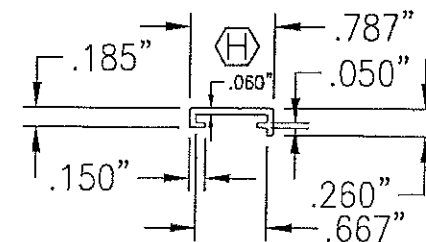
ITEM 11 - SPECIAL LIFTING LUG
NTS



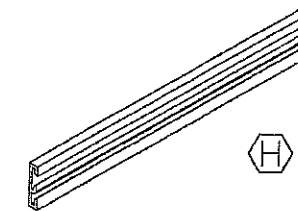
ITEM 18A/18B - SILL SUPPORT
NTS - 2 @ 78" LONG AND 2 @ 90" LONG



ITEM 15 - END CAP
NTS



ITEM 16 - SCREEN FRAME
NTS



PLANT REF: 70-021197-00B

PRODUCT RENEWED
as complying with the Florida
Building Code
NOA-No. **17-0313.04**
Expiration Date **04/26/2018**
By *[Signature]*
Miami-Dade Product Control

NOTES:

1. REF SHEET 6 FOR MATERIAL

CHANGE LETTER	REVISION DESCRIPTION	DWN. BY:	CHK'D. BY:	APPV'D. BY:	APPV'D. BY:	DATE
(H)	GENERAL REVISIONS	DLB	KJM	NLT	CGW	9/22/15
(E)	MODEL NAME CHANGE	DAR	VMA	VMA		5-18-6
(B)	DELETE DIM.	RFM	DJR	VMA		5-4-06
(A)	CHANGED DWG CONTENT	DJR	DJR	VMA		2-6-2006

ENGINEER OF RECORD CHELSEA G. WELCH			
ENGINEERING DISCIPLINE CIVIL/STRUCTURAL			
REGISTRATION NUMBER FL #67221			
DWN. BY: WRT	CHK. BY: DJR	APPV'D. BY: DJR	APPV'D. BY:
DATE: 12/16/05	DATE: 1/9/06	DATE: 1/9/06	DATE:

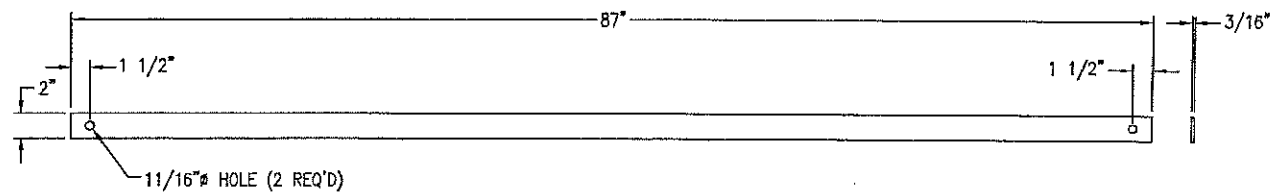
Chelsea Welch
9/22/15

RUSKIN MFG	GRANDVIEW, MO	PLOT SCALE NONE	DWG. CERTIFIED BY: _____ DATE: _____
TITLE PHB637HDXD PENTHOUSE PART DETAILS		DWG. NO. 60-021966-00B	

SHEET 10 OF 13 (H)

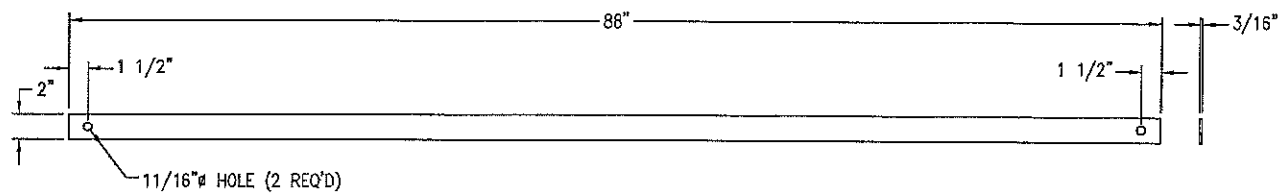
FOR OFFICE USE ONLY

PRODUCT REVISED
as complying with the Florida
Building Code
Acceptance No **15-0330.09**
Expiration Date **04/26/2017**
By *[Signature]*
Miami-Dade Product Control



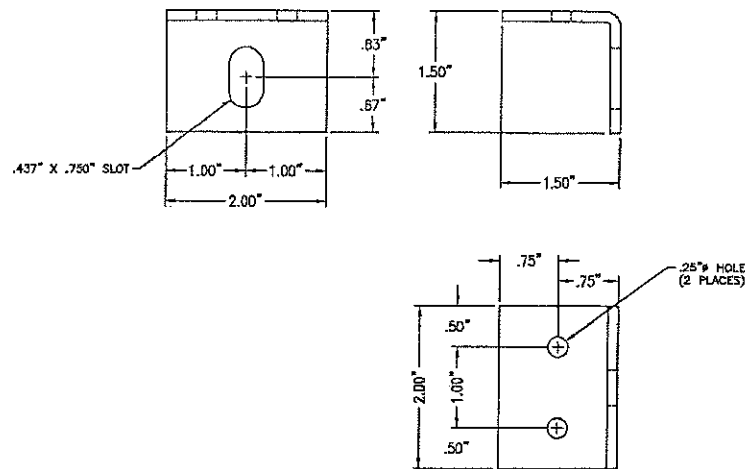
ITEM 19 - 2" WIDEX3/16"X87" DIAGONAL STRAP

NTS



ITEM 25 - 2" WIDEX3/16"X88" DIAGONAL STRAP

NTS



ITEM 22 - 1 1/2"X1 1/2"X1/8"X2" CLIP ANGLE

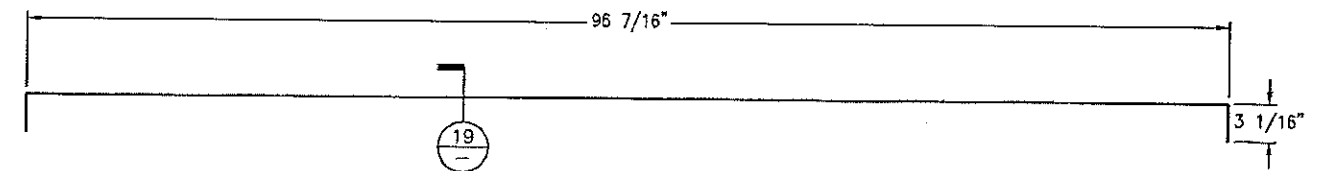
NTS

PLANT REF: 85-020366-00B

NOTES:

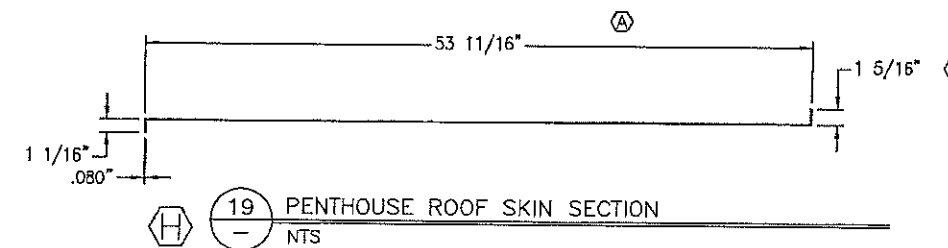
1. REF SHEET 6 FOR MATERIAL (H)

Chelsea G. Welch
9/22/2015



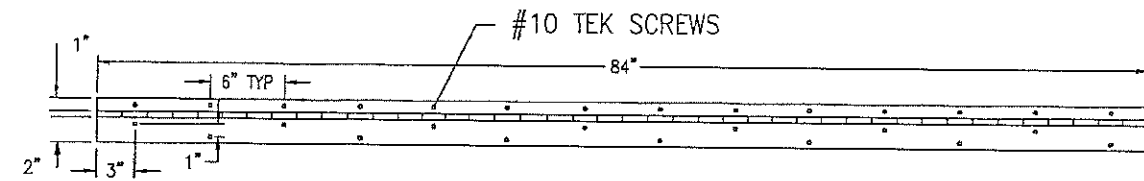
ITEM 20 - PENTHOUSE ROOF SKIN

NTS



(H) 19 PENTHOUSE ROOF SKIN SECTION

NTS



ITEM 21 - HINGE

NTS

(H) PLANT REF: 85-022110-00B

FOR OFFICE USE ONLY

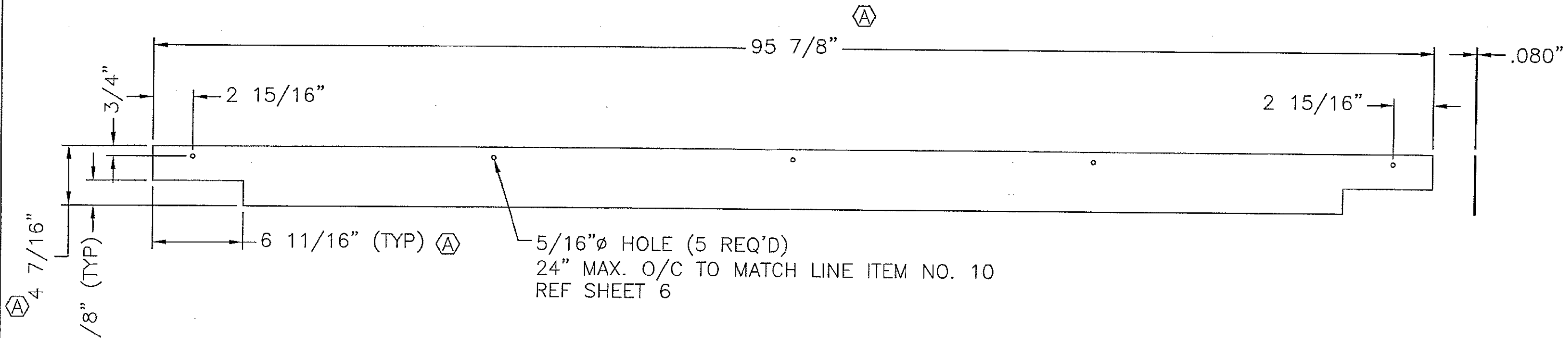
PRODUCT RENEWED
as complying with the Florida
Building Code
NOA-No. **17-0313.04**
Expiration Date **04/26/2018**
By *[Signature]*
Miami-Dade Product Control

PRODUCT REVISED
as complying with the Florida
Building Code
Acceptance No *15-0530.09*
Expiration Date *04/26/2017*
By *[Signature]*
Miami-Dade Product Control

ENGINEER OF RECORD			
CHELSEA G. WELCH			
ENGINEERING DISCIPLINE			
CIVIL/STRUCTURAL			
REGISTRATION NUMBER			
FL #67221			
DWN. BY: WRT	CHK. BY: DJR	APPV'D. BY: DJR	APPV'D. BY:
DATE: 12/16/05	DATE: 1/9/06	DATE: 1/9/06	DATE:

CHANGE LETTER	REVISION DESCRIPTION	DWN. BY:	CHK'D. BY:	APPV'D. BY:	APPV'D. BY:	DATE
(H)	GENERAL REVISIONS	DLB	KJM	NLT	CGW	9/22/15
(E)	MODEL NAME CHANGE	DAR	VMA	VMA		5-18-6
(B)	ADDED ITEM 21	DJR	DJR	VMA		5-4-06
(A)	CHANGED DWG CONTENT	DJR	DJR	VMA		2-6-2006

RUSKIN MFG (H) GRANDVIEW, MO		PLOT SCALE		DWG. CERTIFIED	
		NONE		BY: _____	
TITLE		DWG. NO.		DATE: _____	
PHB637HDXD PENTHOUSE PART DETAILS (E)		60-021966-00B (H)			



ITEM 27 - 4 7/16" X 95 7/8" X .080" HINGED DOOR END PLATE
 NTS

NOTES:
 1. REF SHEET 6 FOR MATERIAL (H)

FOR OFFICE USE ONLY

PRODUCT REVISED
 as complying with the Florida
 Building Code
 Acceptance No. 15-0930.09
 Expiration Date 04/26/2017
 By *[Signature]*
 Miami-Dade Product Control

PRODUCT RENEWED
 as complying with the Florida
 Building Code
 NOA-No. 17-0313.04
 Expiration Date 04/26/2018
 By *[Signature]*
 Miami-Dade Product Control

CHANGE LETTER	REVISION DESCRIPTION	DWN. BY:	CHK'D. BY:	APPV'D. BY:	APPV'D. BY:	DATE
(H)	GENERAL REVISIONS	DLB	KJM	NLT	CGW	9/22/15
(E)	MODEL NAME CHANGE	DAR	VMA	VMA		5-18-6
(A)	CHGD DWG CONTENT, ADDED NOTCHES, REV'D HEIGHT	DJR	DJR	VMA		2-3-2006

Checked by [Signature] 9/22/15

ENGINEER OF RECORD (H) CHELSEA G. WELCH	DWN. BY: WRT DATE: 12/16/05	CHK. BY: DJR DATE: 1/9/06	APPV'D. BY: DJR DATE: 1/9/06	APPV'D. BY:
ENGINEERING DISCIPLINE (H) CIVIL/STRUCTURAL	SHEET 13 OF 13 (H)			
REGISTRATION NUMBER (H) FL #67221				

RUSKIN MFG (H) GRANDVIEW, MO	PLOT SCALE NONE	DWG. CERTIFIED BY: _____ DATE: _____
TITLE (E) PHB637HDXD PENTHOUSE (H) PART DETAILS	DWG. NO. (H) 60-021966-00B	