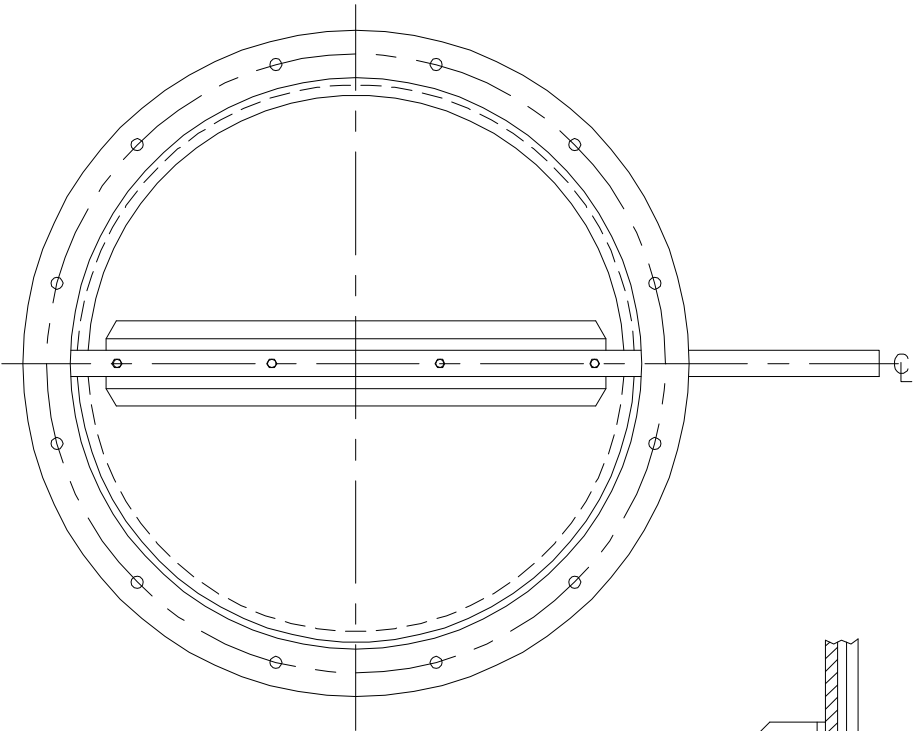
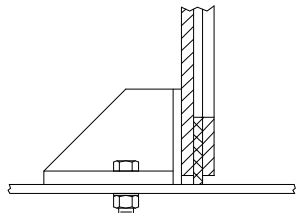


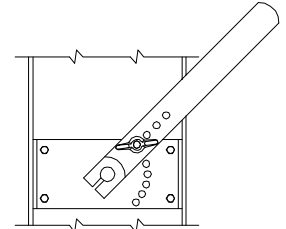
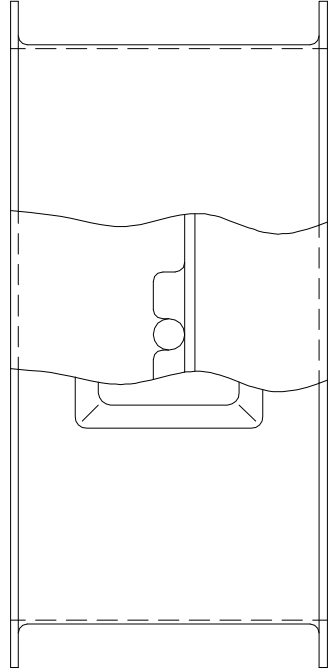
FIBER-AIRE FIBERGLASS  
 ROUND CONTROL DAMPER 912



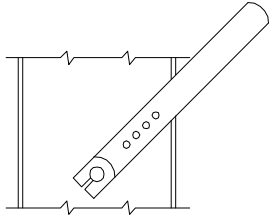
AIR LEAVING SIDE  
 OF DAMPER



BLADE SEAL DETAIL  
 (OPTIONAL)

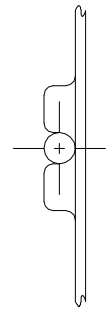


HAND QUADRANT  
 (OPTIONAL)

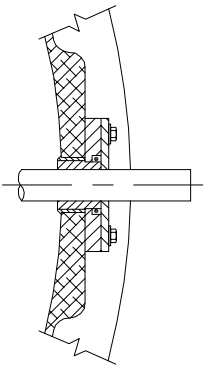


CRANK LEVER  
 (OPTIONAL)

AIR  
 FLOW



BLADE  
 PROFILE



SHAFT SEAL  
 DETAIL (OPTIONAL)