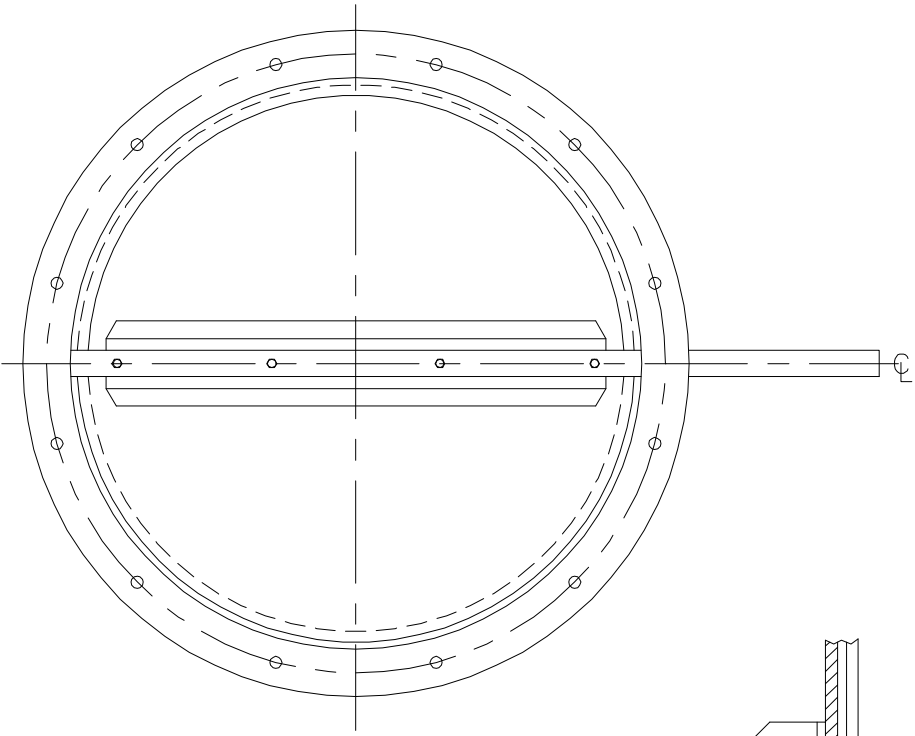
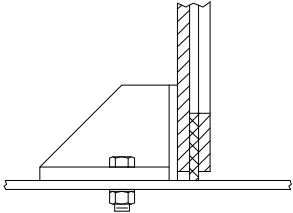


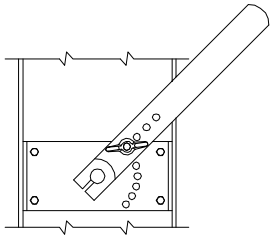
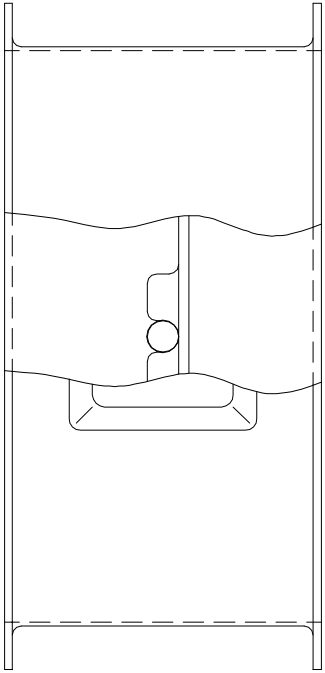
FIBER-AIRE FIBERGLASS  
ROUND CONTROL DAMPER 914



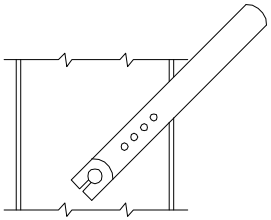
AIR LEAVING SIDE  
OF DAMER



BLADE SEAL DETAIL  
(OPTIONAL)

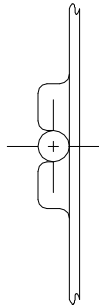


HAND QUADRANT  
(OPTIONAL)

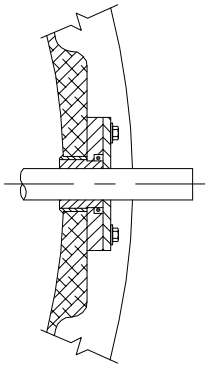


CRANK LEVER  
(OPTIONAL)

AIR  
FLOW



BLADE  
PROFILE



SHAFT SEAL  
DETAIL (OPTIONAL)