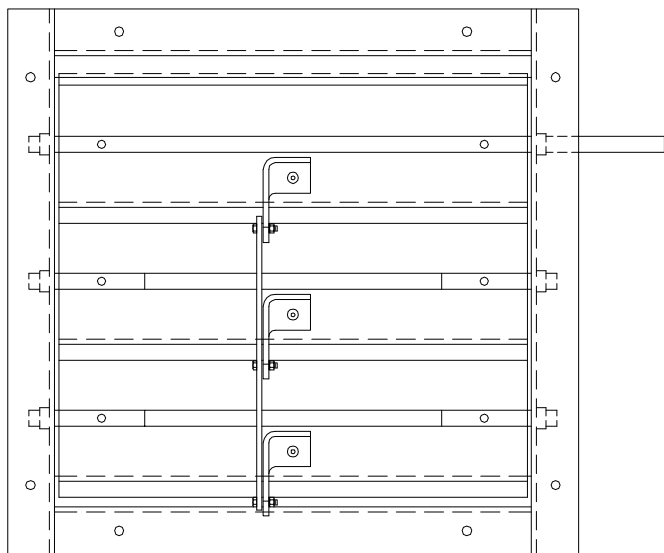
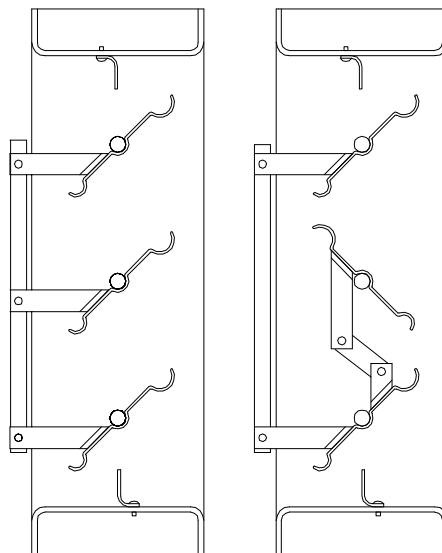


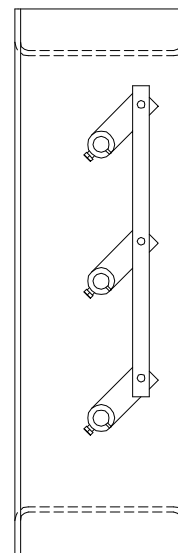
FIBER-AIRE
FLANGE MOUNT
CONTROL DAMPER 1108



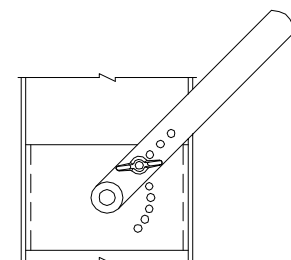
FACE VIEW



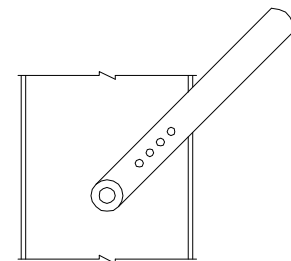
SECTION VIEW
EXPOSED LINKAGE
(PARALLEL) (OPPOSED)



SIDE VIEW
SIDE LINKGE
(PARALLEL)



HAND QUADRANT
(OPTIONAL)



CRANK LEVER
(OPTIONAL)