



3900 Dr. Greaves Rd.

Kansas City, MO 64030

(816) 761-7476

FAX (816) 765-8955

RUS-S24-MOD Electric 24 Volt Modulating Control Damper Actuator DIRECT COUPLED SPRING RETURN

DESCRIPTION

Ruskin model RUS-S24-MOD electric On/Off spring return actuator designed for factory mounting on damper up to 6 sq. ft. with blade and jamb seals. Actuators can be mounted directly to a damper shaft from 1/4 to 1/2 inch (6 to 12 mm) diameter with a universal clamp. An optional line voltage auxiliary switch indicates an end-stop position or performs switching functions within the selected rotation range.

FEATURES

- Designed to operate up to 6 sq. ft. with seals and 10 sq. ft. without seals.
- Reversible mounting design simplifies installation and enables the actuator to be spring return in either direction.
- Electronic stall detection throughout entire rotation range extends the life of the actuator by deactivating the actuator motor when an overload condition is detected.
- 5 Year factory warranty



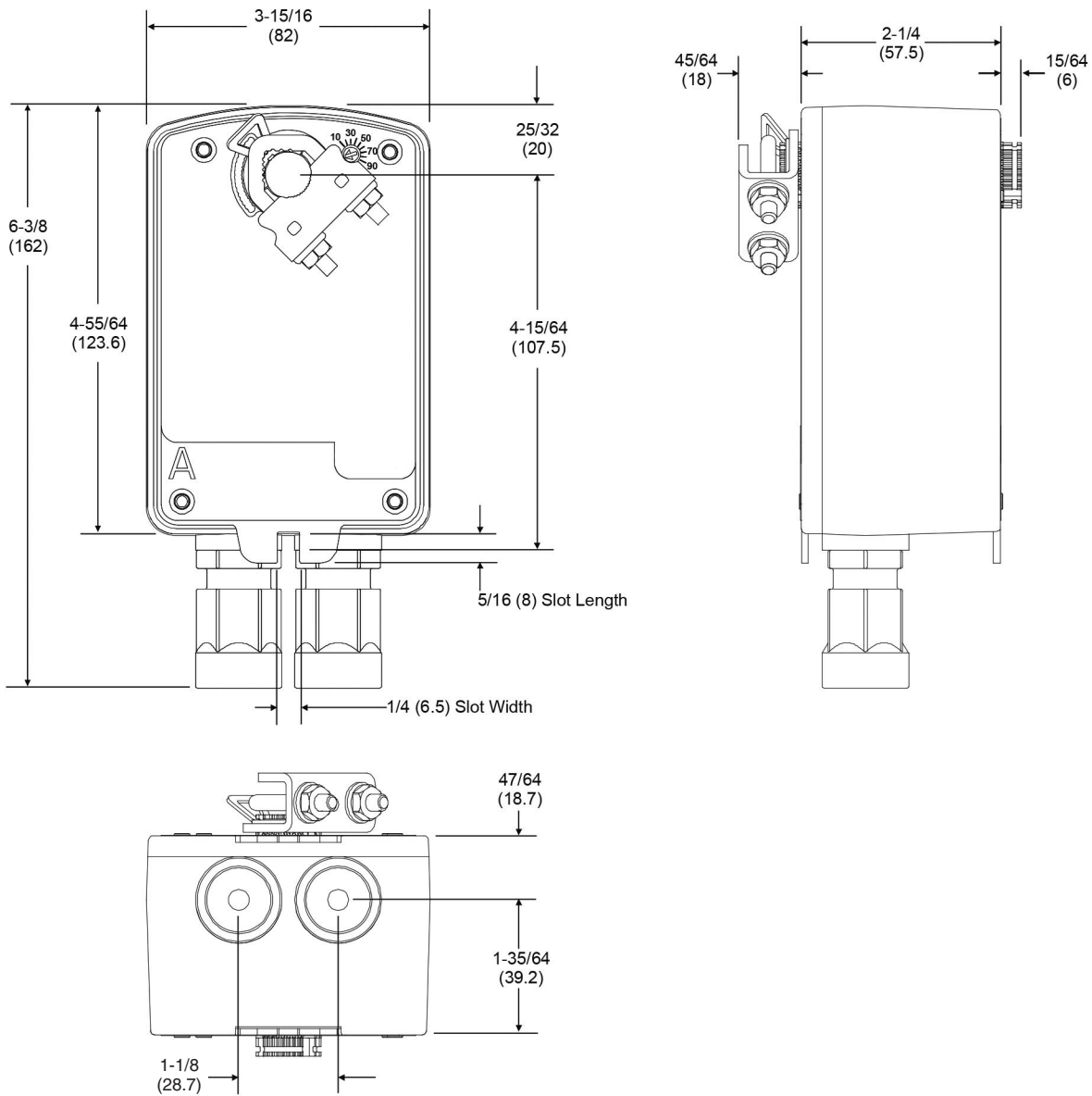
RUS-S24-MOD Electric Spring-Return Actuator

TECHNICAL INFORMATION	
DAMPER AREA	6 sq. ft. with seals 10 sq. ft. without seals
RUNNING TIME	Drive: 90 sec Spring: < 23 sec
POWER SUPPLY	AC 24 V DC 24 V
POWER CONSUMPTION	Running 4.7 VA Holding 2.7 VA
TRANSFORMER SIZE	6 VA
DIRECTION OF ROTATION	Reversible with cw/ccw mounting
POSITION INDICATION	Visual indication 0° to 95°
AUXILIARY SWITCH (-S Models)	5.0A @ 240 VAC, UL listed adjustable 0° to 90°
ELECTRICAL PROTECTION	Double insulated
ELECTRICAL CONNECTION	3 ft, 18 ga appliance cable (-S models have 2 cables) 1/2" conduit connector
OVERLOAD PROTECTION	Electronic throughout 0° to 95° rotation
ROTATION PROTECTION	Max 95° adjust. with mechanical stop (optional)
HOUSING	NEMA 2 (IP54)
HOUSING MATERIAL	Lexan 945
HUMIDITY	5 to 90% non-condensing
AMBIENT TEMPERATURE	-22° to 140°F (-30° to 60°C)
STORAGE TEMPERATURE	-40° to 185°F (-40° to 85°C)

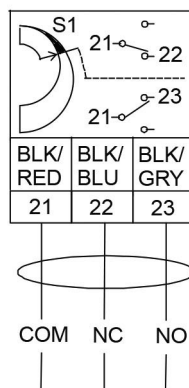
TECHNICAL INFORMATION	
AGENCY LISTINGS	UL 60730-1A: 2003-08 UL 60730-2-14: 2002-02 UL 2043 C22.2 No. 24-93
NOISE LEVEL	Drive: <37 dba Spring: <56 dba
WEIGHT	RUS-S24-MOD: 2.0 lb (0.9 kg) RUS-S24-MOD: 2.4 lb (1.1 kg)
SERVICING	Maintenance free
QUALITY STANDARD	ISO 9001

ACCESSORY	
ADJUSTABLE END STOP KIT	Part #M9203-603 From 35° to 95° in 5° increments

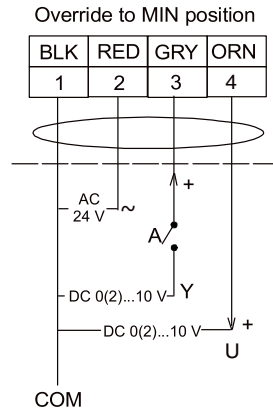
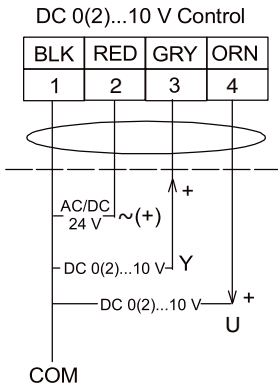
DIMENSIONS



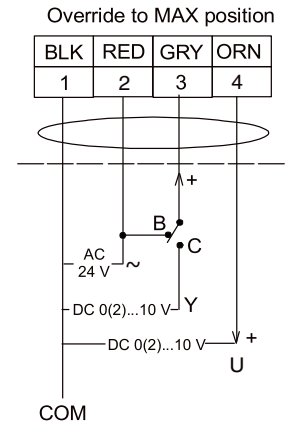
AUXILIARY SWITCH WIRING DIAGRAM



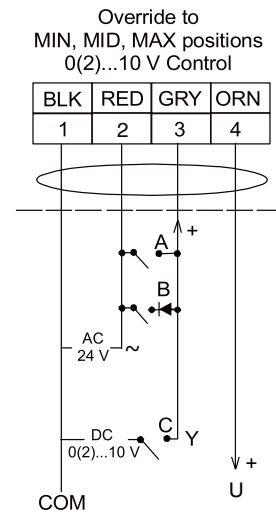
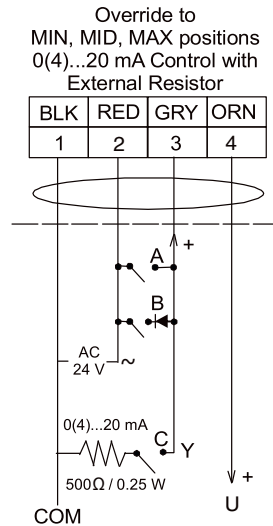
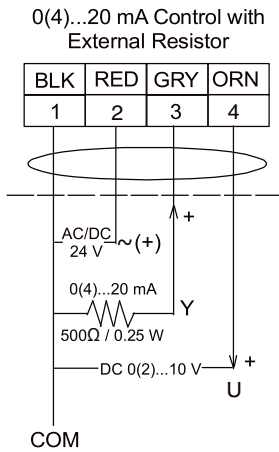
WIRING RUS-S24-MOD PROPORTIONAL ACTUATORS



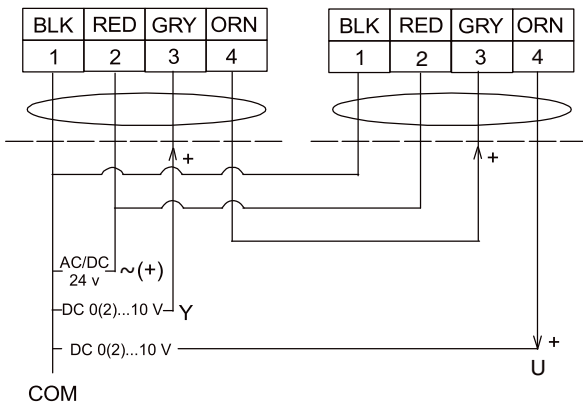
A Open = MIN Position
A Closed = Normal Operation



B Closed = MAX Position
C Closed = Normal Operation



Master-Slave Application



RUS-S24-MOD Control Wiring Diagram

FUNCTION	A	B	C
0% (MIN)	— —	— —	— —
50% (MID)	— —	— —	— —
100% (MAX)	— —	— —	— —
NORMAL	— —	— —	— —

FUNCTION	A	B	C
0% (MIN)	— —	— —	— —
50% (MID)	— —	— —	— —
100% (MAX)	— —	— —	— —
NORMAL	— —	— —	— —

RUS-S24-MOD Control Wiring Diagram (Overrides)

IMPORTANT: Do not install multiple RS-S24-MOD Actuators connected to the same mechanical load. Master-slave application of RUS-S24-MOD Actuators requires that each actuator be connected to independent loads.