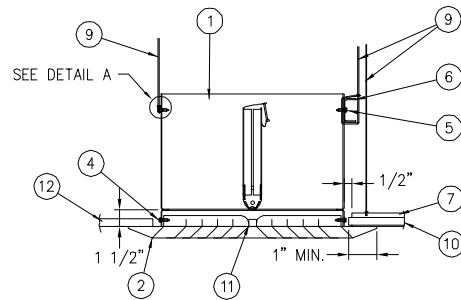


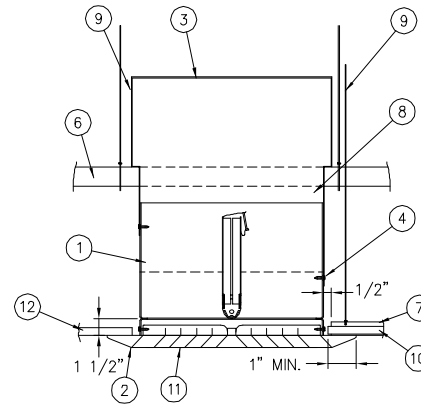
INSTALLATION 1 DUCTLESS RETURN AND FLEX DUCT SUPPLY



DUCTLESS AND FLEX DUCT SUPPLY

| ITEM | DESCRIPTION |
|------|--|
| 1. | DAMPER |
| 2. | GRILLE FRAME (20 GA. MIN.) |
| 3. | DUCT (WHERE SHOWN) |
| 4. | #8 SHEET METAL SCREW |
| 5. | #10 SHEET METAL SCREW |
| 6. | 16 MSG X 1 1/2" CHANNEL |
| 7. | CEILING GRID (UL CLASSIFIED) |
| 8. | DUCT DROP (WHERE SHOWN) |
| 9. | 12 SWG STEEL WIRE |
| 10. | ACOUSTICAL LAY-IN PANELS (UL CLASSIFIED) |
| 11. | DIFFUSER OR GRILLE CORE (METALLIC OR NON-METALLIC) |
| 12. | RIGID GYPSUM WALL BOARD CEILING (UL CLASSIFIED) |

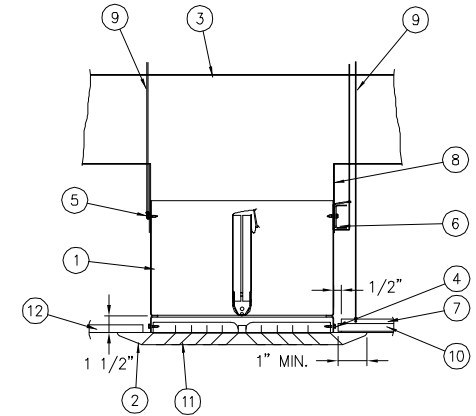
INSTALLATION 2 DAMPER WITH DUCT SUPPORT



STEEL DUCT WITH DUCT SUPPORT

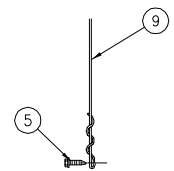
| ITEM | DESCRIPTION |
|------|--|
| 1. | DAMPER |
| 2. | GRILLE FRAME (20 GA. MIN.) |
| 3. | DUCT |
| 4. | #8 SHEET METAL SCREW |
| 5. | #10 SHEET METAL SCREW |
| 6. | 16 MSG X 1 1/2" CHANNEL |
| 7. | CEILING GRID (UL CLASSIFIED) |
| 8. | DUCT DROP |
| 9. | 12 SWG STEEL WIRE |
| 10. | ACOUSTICAL LAY-IN PANELS (UL CLASSIFIED) |
| 11. | DIFFUSER OR GRILLE CORE (METALLIC OR NON-METALLIC) |
| 12. | RIGID GYPSUM WALL BOARD CEILING (UL CLASSIFIED) |

INSTALLATION 3 DUCT WITH DAMPER SUPPORT (RECTANGULAR DAMPER ONLY)



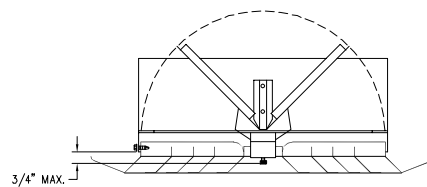
STEEL DUCT WITH DAMPER SUPPORT

| ITEM | DESCRIPTION |
|------|--|
| 1. | DAMPER |
| 2. | GRILLE FRAME (20 GA. MIN.) |
| 3. | DUCT |
| 4. | #8 SHEET METAL SCREW |
| 5. | #10 SHEET METAL SCREW |
| 6. | 16 MSG X 1 1/2" CHANNEL |
| 7. | CEILING GRID (UL CLASSIFIED) |
| 8. | DUCT DROP |
| 9. | 12 SWG STEEL WIRE |
| 10. | ACOUSTICAL LAY-IN PANELS (UL CLASSIFIED) |
| 11. | DIFFUSER OR GRILLE CORE (METALLIC OR NON-METALLIC) |
| 12. | RIGID GYPSUM WALL BOARD CEILING (UL CLASSIFIED) |

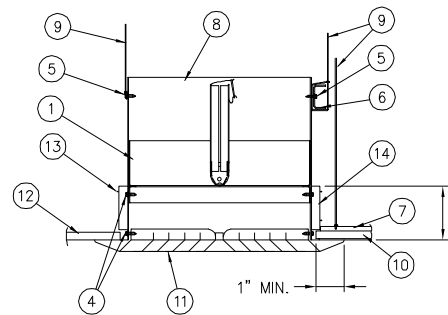


DETAIL A
HANGING WIRE & LOOP

INSTALLATION 4 VOLUME ADJUSTMENT CONTROL



INSTALLATION 5 ASSEMBLY HEIGHT



| ITEM | DESCRIPTION |
|------|---|
| 1. | DAMPER |
| 2. | GRILLE FRAME (20 GA. MIN.) |
| 3. | DUCT (WHERE SHOWN) |
| 4. | #8 SHEET METAL SCREW |
| 5. | #10 SHEET METAL SCREW |
| 6. | 16 MSG X 1 1/2" CHANNEL |
| 7. | CEILING GRID (UL CLASSIFIED) |
| 8. | DUCT DROP (WHERE SHOWN) |
| 9. | 12 SWG STEEL WIRE |
| 10. | ACOUSTICAL LAY-IN PANELS (UL CLASSIFIED) |
| 11. | DIFFUSER OR GRILLE CORE (METALLIC OR NON-METALLIC) |
| 12. | RIGID GYPSUM WALL BOARD CEILING (UL CLASSIFIED) |
| 13. | 16 SWG STEEL WIRE |
| 14. | THERMAL BLANKET INSULATION-REFRACTORY CERAMIC FIBER |